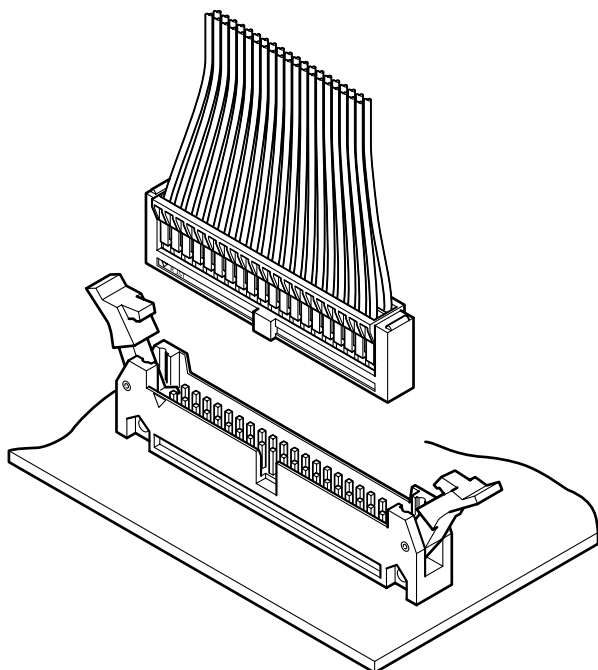


# RA CONNECTOR

Disconnectable Crimp style connectors



**Crimp style receptacles that are designed to mate with headers conforming to MIL-C-83503. The low insertion force contacts reduce surface finish wear and resist stress relaxation very well.**



## Features

### • **Secure lock device**

The locking levers are engaged by inserting the receptacle into the header. This ensures a firm connection that's highly resistant to impact and vibration.

### • **Housing lances**

The contact retention lances on the resilient housing allow visual confirmation of contact lock-in for easy and secure insertion.

### • **Low insertion force contact**

The low insertion force contacts reduce surface finish wear and reduce the effects of stress relaxation.

### • **Anti-misinsertion feature**

The guide devices of both housing and header prevent reverse connector insertion.

## Specifications

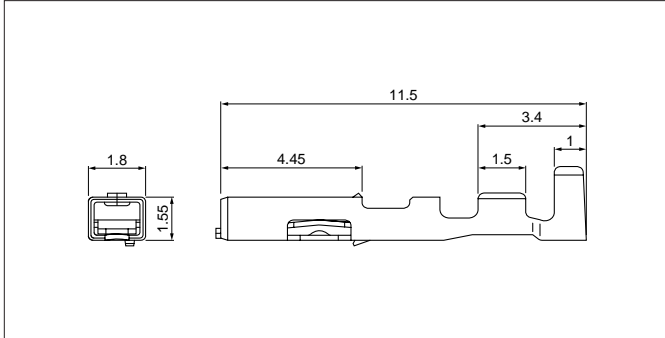
- Current rating: 1.0 A AC, DC (AWG #22)
  - Voltage rating: 300 V AC, DC
  - Temperature range: -55°C to +85°C  
(including temperature rise in applying electrical current)
  - Contact resistance: Initial value/15 mΩ max.  
After environmental tests/ 30 mΩ max.
  - Insulation resistance: 1,000 MΩ min.
  - Withstanding voltage: 1,000 VAC/minute
  - Applicable wire: AWG #26 to #22
  - Applicable PC board thickness: 1.6 mm
- \* Refer to "General Instruction and Notice when using Terminals and Connectors" at the end of this catalog.  
\* Contact JST for details.  
\* Compliant with RoHS.

## Standards

Recognized E60389

# RA CONNECTOR

## Contact



Model No.	Applicable wire		Insulation O.D. (mm)	Q'ty/ reel
	mm <sup>2</sup>	AWG#		
<b>RA-SC1290</b>	0.13 to 0.33	26 to 22	1.3 to 1.7	8,000

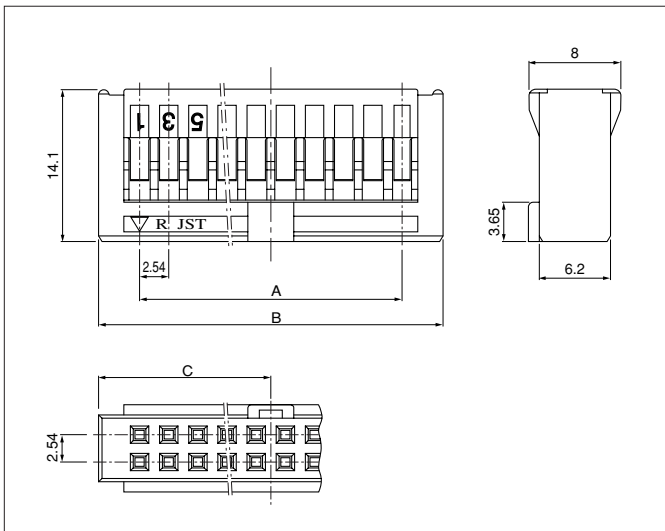
### Material and Finish

Phosphor bronze, tin-plated (reflow treatment)

### RoHS compliance

Note: Contact JST for gold-plated contacts.

## Housing



No. of circuits	Model No.	Dimensions (mm)			Q'ty/ box
		A	B	C	
10	<b>RA-1011</b>	10.16	17.50	8.75	500
16	<b>RA-1611</b>	17.78	25.12	12.56	500
20	<b>RA-2011</b>	22.86	30.20	15.10	500
26	<b>RA-2611</b>	30.48	37.82	18.91	500
30	<b>RA-3011</b>	35.56	42.90	21.45	200
34	<b>RA-3411</b>	40.64	47.98	23.99	500
40	<b>RA-4011</b>	48.26	55.60	27.80	200
50	<b>RA-5011</b>	60.96	68.30	34.15	200
60	<b>RA-6011</b>	73.66	81.00	40.50	200

### Material

Glass-filled PBT, UL94V-0, black

### RoHS compliance

## Header

The following headers are applicable to the above Housing.

RA header		
No. of circuits	Top entry type	Side entry type
10	<b>RA-H101TD-1190</b>	<b>RA-H101SD-1190</b>
16	<b>RA-H161TD-1190</b>	<b>RA-H161SD-1190</b>
20	<b>RA-H201TD-1190</b>	<b>RA-H201SD-1190</b>
26	<b>RA-H261TD-1190</b>	<b>RA-H261SD-1190</b>
30	<b>RA-H301TD-1190</b>	—
34	<b>RA-H341TD-1190</b>	<b>RA-H341SD-1190</b>
40	<b>RA-H401TD-1190</b>	<b>RA-H401SD-1190</b>
50	<b>RA-H501TD-1190</b>	<b>RA-H501SD-1190</b>
60	<b>RA-H601TD-1190</b>	<b>RA-H601SD-1190</b>

**RoHS compliance** This product displays (LF)(SN) on a label.

Note: Contact JST for gold-plated headers.

## Crimping machine, Applicator

Contact	Crimping machine	Crimp applicator	Dies	Crimp applicator with dies
<b>RA-SC1290</b>	AP-K2N	MKS-L	MK/RA-SC12	APLMK RA-SC12
		*MKS-SC	*SC/RA-SC12	APLSC RA-SC12

Note: \*Strip-crimp applicator