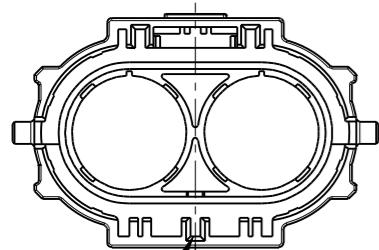
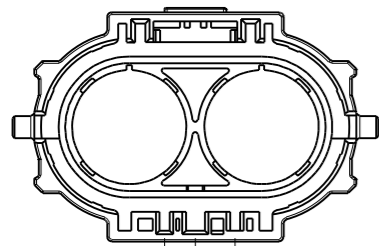


REV	ECN	DESCRIPTION	DATE	MODIFIED
1		PRE-RELEASE	24/4/17	CELINE.XIE
2		INCREASE THE BOM	12/22/17	CELINE.XIE

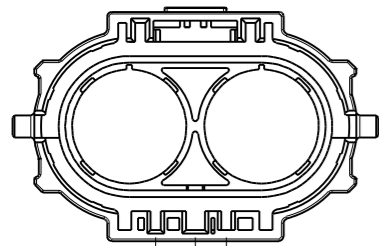
Amphenol PCDSZ
ORIGINAL
PDF Format
R&D



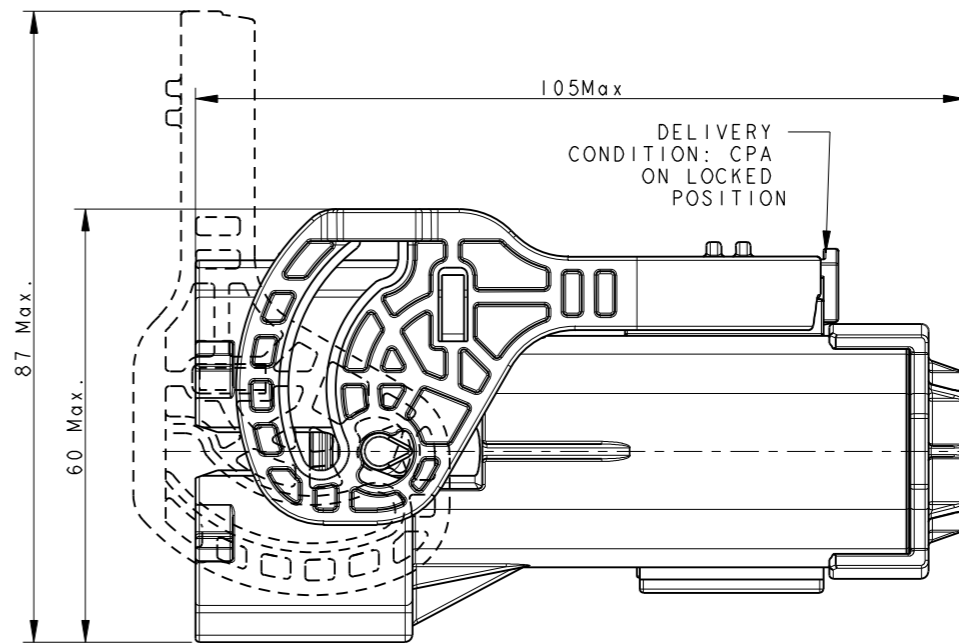
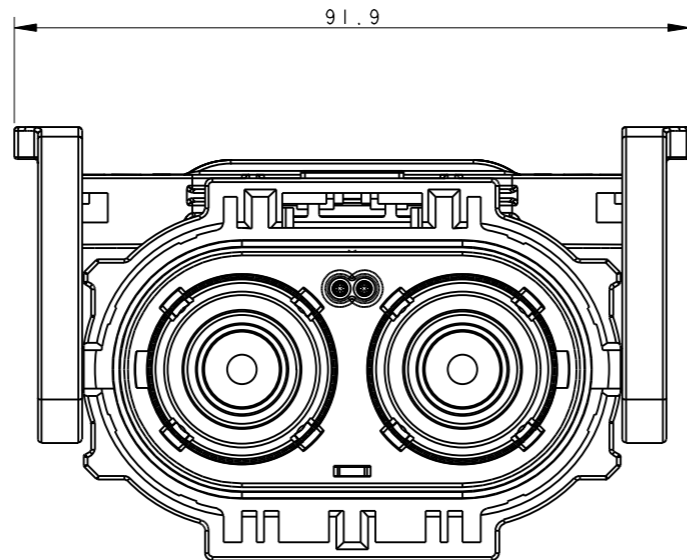
KEYWAY 0
HVSL 1000 06 2 A
CODING A



HVSL 1000 06 2 B
CODING B



HVSL 1000 06 2 C
CODING C



NOTES:

- MATERIAL & FINISH:
PLASTIC BODY: THERMOPLASTICS UL 94V-0 ORANGE COLOR
SOCKET CONTACT: COPPER ALLOY SILVER PLATED
SHIELDING: COPPER ALLOY TIN PLATED
FERRULE: STAINLESS STEEL
CABLE SEAL: SILICONE RUBBER
- DELIVERY WITHOUT CONTACTS. THE CONTACTS SHOULD BE ORDERED SEPARATELY.
- SEE APCD-TD-073 FOR ASSEMBLY INSTRUCTION.

4. PART NUMBER DESCRIPTION

HVSL1000 06 2 X X XX

KEY OF CODING OPTION

- A: CODING A
- B: CODING B
- C: CODING C

INTERLOCK OPTION

- 0: WITHOUT IL
- 1: WITH IL

KEY OF CODING OPTION

- 25: 25mm² WIRE OD=11.9±0.3MM
- 35: 35mm² WIRE OD=14.2±0.4MM
- 50: 50mm² WIRE OD=16.5±0.4MM
- 70: 70mm² WIRE OD=19.0±0.7MM

5. TECHNICAL DATA TABLE

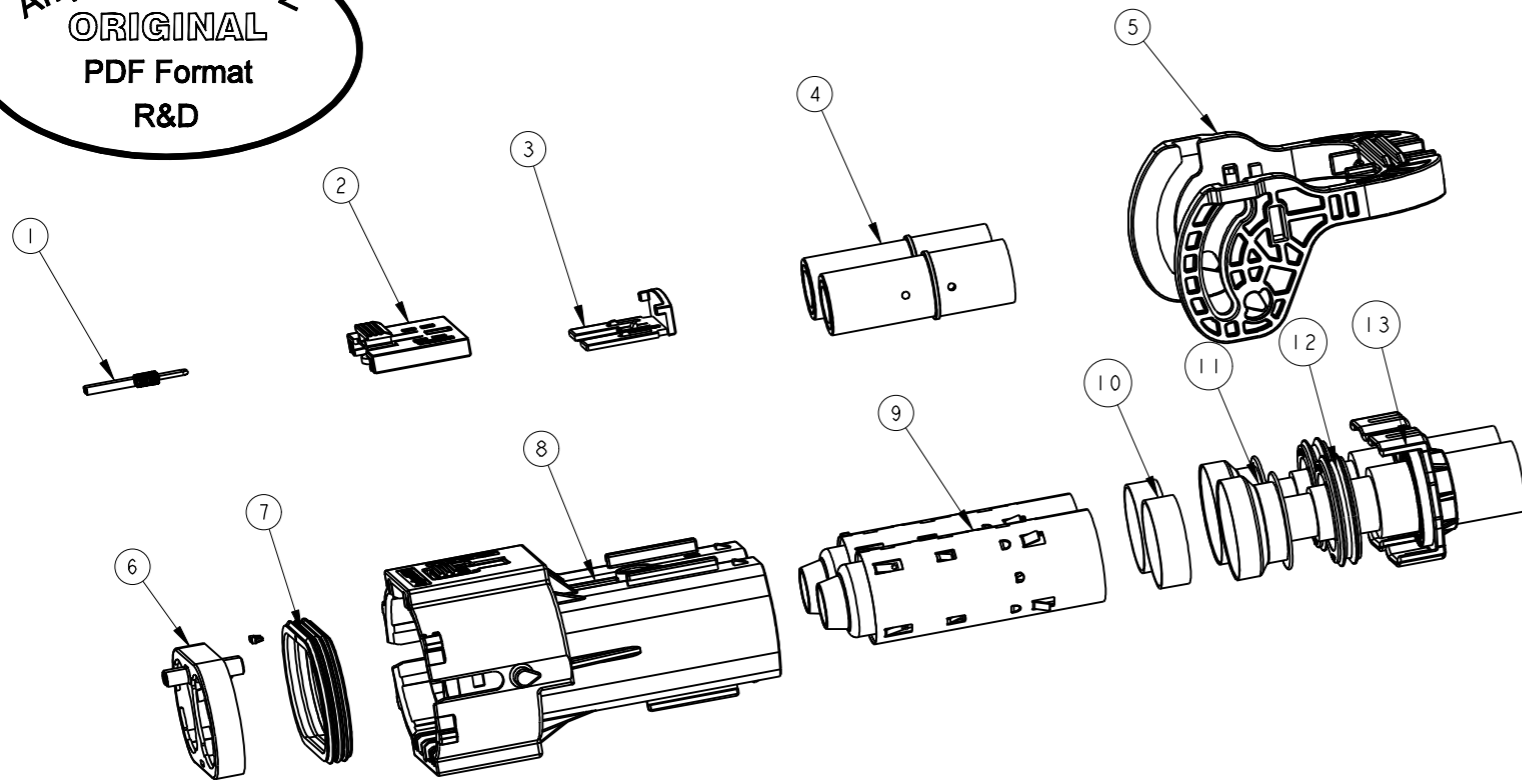
CURRENT RATE (25-70MM ² SHIELD CABLE)	25mm ² : 120A 35mm ² : 150A 50mm ² : 180A 70mm ² : 250A	★
UL RATING VOLTAGE (OVERVOLTAGE CATEGORY II POLLUTION DEGREE 2)	1000V DC	★
OPERATING TEMPERATURE	-40~125°C	★
DIELECTRIC WITH STANDING VOLTAGE	3000V AC	★
INSULATION RESISTANCE	2000MΩ MIN. 25°C, NO CABLE	★
DURABILITY	50 CYCLES	◎
SHIELDING	YES	◎
WATERPROOF (MATED CONDITION)	IP 67, IP6K9K	★
PROTECTION LEVEL	IP2XB	★
AMBIENT TEMPERATURE	-40~70°C	

DIMENSIONS	TOLERANCES	PROJECTION	TITLE					
ANSI Y14.5M UNITS: MM Pro/E FILE	X ±0.1 XX ±0.01 ANGLES ±0.5°		Amphenol Pcd Shenzhen					
ORIGINAL	THIS DOCUMENT CONTAINS PROPRIETARY INFORMATION WHICH IS THE CONFIDENTIAL PROPERTY OF AMPHENOL PCD SHENZHEN		ENGR CELINE.XIE	25/4/17	HVSL 1000 06 2 X STRAIGHT PLUG ASSEMBLY			
			CHKD			SIZE A3	DWG NO. C-HVSL1000062XXXX	REV 2
			APPD			CODE: 58982	SCALE:	SHEET 1 OF 3

C-HVSL1000062XXXX

C-HVSL1000062XXXX

Amphenol PCDSZ
ORIGINAL
PDF Format
R&D



HVSL1000062XX50	13	C4200037251	2	END CAP BLACK
	12	C2700036041	2	CABLE GROMMET RED SILICONE
	11	C4200036142	2	OUTER FERRULE
	10	C420003617	2	INTER FERRULE
	9	C431003619	2	SHIELDING ASSEMBLY
	8	C22000366X (X=0,01,02)	1	MAIN BODY(X:A,B,C KEYS)
	7	C270003643	1	PERIPHERAL SEAL RED SILICONE
	6	C220003661	1	PLUG CAP BLACK
	5	C220003662	1	LEVER BLACK
	4	C4200036162	2	10MM RADSOK R4+SOCKET CONTACT BODY
	3	C220003663	1	CPA RED
	2	C220003664	1	CPA CAGE RED
	1	C200003626	1	SOCKET CONTACT---OPTIONAL

6. ASSEMBLY AND DETAIL HVSL1000062 SERIES BOM LIST SHOW

6.1 DETAIL EX SERIES BOM LIST

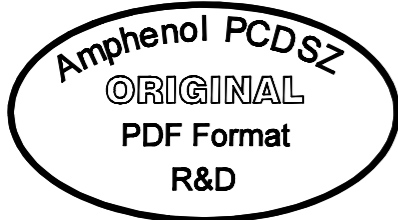
HVSL1000062XX25	13	C4200037253	2	END CAP BLACK
	12	C2700036043	2	CABLE GROMMET RED SILICONE
	11	C4200036144	2	OUTER FERRULE
	10	C420003617	2	INTER FERRULE
	9	C431003619	2	SHIELDING ASSEMBLY
	8	C22000366X (X=0,01,02)	1	MAIN BODY(X:A,B,C KEYS)
	7	C270003643	1	PERIPHERAL SEAL RED SILICONE
	6	C220003661	1	PLUG CAP BLACK
	5	C220003662	1	LEVER BLACK
	4	C4200036164	2	10MM RADSOK R4+SOCKET CONTACT BODY
	3	C220003663	1	CPA RED
	2	C220003664	1	CPA CAGE RED
	1	C200003626	1	SOCKET CONTACT---OPTIONAL
PART NUMBER	ITEAM	COMPONENT P/N	Q'TY	DESCRIPTION

HVSL1000062XX35	13	C4200037252	2	END CAP BLACK
	12	C2700036042	2	CABLE GROMMET RED SILICONE
	11	C4200036143	2	OUTER FERRULE
	10	C420003617	2	INTER FERRULE
	9	C431003619	2	SHIELDING ASSEMBLY
	8	C22000366X (X=0,01,02)	1	MAIN BODY(X:A,B,C KEYS)
	7	C270003643	1	PERIPHERAL SEAL RED SILICONE
	6	C220003661	1	PLUG CAP BLACK
	5	C220003662	1	LEVER BLACK
	4	C4200036163	2	10MM RADSOK R4+SOCKET CONTACT BODY
	3	C220003663	1	CPA RED
	2	C220003664	1	CPA CAGE RED
	1	C200003626	1	SOCKET CONTACT---OPTIONAL
PART NUMBER	ITEAM	COMPONENT P/N	Q'TY	DESCRIPTION

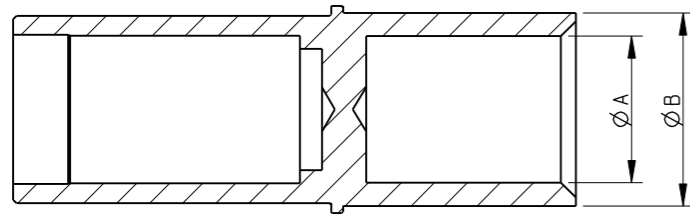
SIZE A3	DWG NO. C-HVSL1000062XXXX	REV 2
CODE: 58982	SCALE:	SHEET 2 OF 3

C-HVSL1000062XXXX

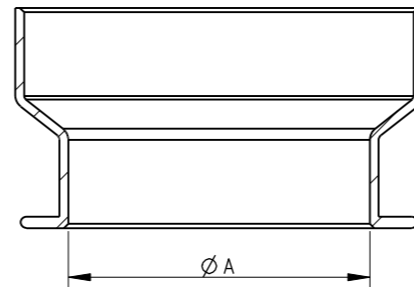
C-HVSL1000062XXXX



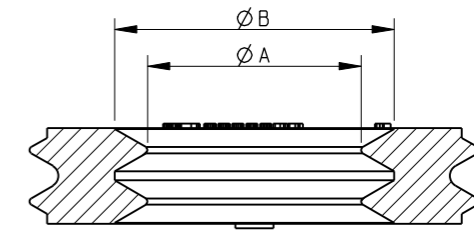
7. ASSEMBLY INDIVIDUAL COMPONENT DIMENSIONS SHOW



COMPONENT P/N	DIMENTION ØA	DIMENTION ØB	CABLE SIZE
C4200036181	13.3±0.2	17.5±0.2	70
C4200036182	10.3±0.2	14.3±0.2	50
C4200036183	8.5±0.2	12±0.2	35
C4200036184	7.2±0.2	9.5±0.2	25



COMPONENT P/N	DIMENTION ØA	CABLE SIZE
C4200036141	20±0.2	70
C4200036142	18±0.2	50
C4200036143	15±0.2	35
C4200036144	14±0.2	25

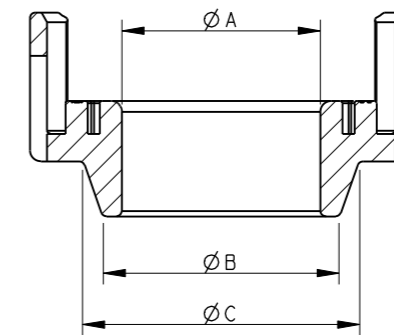


COMPONENT P/N	DIMENTION ØA	DIMENTION ØB	CABLE SIZE
C4270036044	17±0.2	21.5±0.3	70
C4270036041	14.5±0.2	19±0.3	50
C4270036042	13.2±0.2	17.6±0.3	35
C4270036043	11±0.2	15.5±0.3	25

C-HVSL1000062XXXX

C-HVSL1000062XXXX

HVSL1000062XX70	13	C4200037254	2	END CAP BLACK
	12	C2700036044	2	CABLE GROMMET RED SILICONE
	11	C4200036141	2	OUTER FERRULE
	10	C420003617	2	INTER FERRULE
	9	C431003619	2	SHIELDING ASSEMBLY
	8	C22000366X (X=0,01,02)	1	MAIN BODY(X:A,B,C KEYS)
	7	C270003643	1	PERIPHERAL SEAL RED SILICONE
	6	C220003661	1	PLUG CAP BLACK
	5	C220003662	1	LEVER BLACK
	4	C4200036161	2	10MM RADSOK R4+SOCKET CONTACT BODY
	3	C220003663	1	CPA RED
	2	C220003664	1	CPA CAGE RED
	1	C200003626	1	SOCKET CONTACT---OPTIONAL
PART NUMBER	ITEAM	COMPONENT P/N	Q'TY	DESCRIPTION



COMPONENT P/N	DIMENTION ØA	DIMENTION ØB	DIMENTION ØC	CABLE SIZE
C4220037254	21±0.2	25±0.25	28±0.25	70
C4220037251	18±0.2	21.5±0.25	25±0.25	50
C4220037252	15±0.2	18.5±0.25	23±0.25	35
C4220037253	13.5±0.2	17±0.25	21±0.25	25

SIZE A3	DWG NO. C-HVSL1000062XXXX	REV 2
CODE: 58982	SCALE:	SHEET 3 OF 3