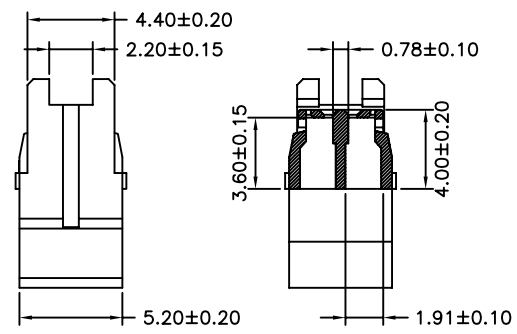
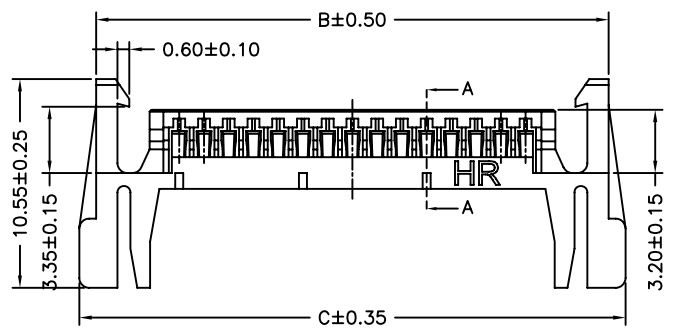
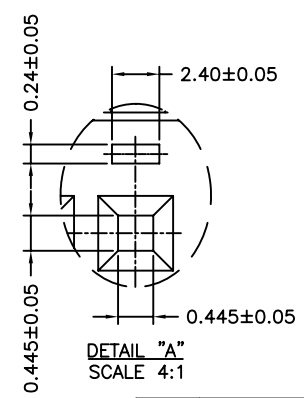
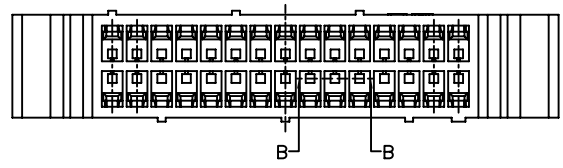


P/N LEGEND

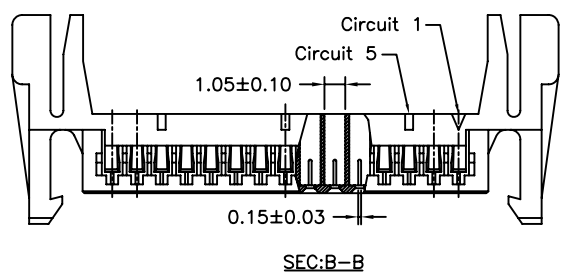
A1252 HA-2XNP XXX			
①	②	③	④
Series No.	Connector type: HA=Housing A Type	No. of circuits	Option code:
Blank=Standard			



SPECIFICATIONS
 Current Rating: 1A AC,DC
 Voltage Rating: 150V AC,DC
 Temperature Range: -25°C ~ +85°C
 Contact Resistance: 30mΩ Max.
 Insulation Resistance: 500MΩ Min.
 Withstanding Voltage: 500V AC/minute
 Material: Nylon 66,UL94V-0
 Pantone Color: 7529C~7530C



Circuit No.	Dimensions		
	A	B	C
2X05P	5.00	13.40	15.10
2X06P	6.25	14.65	16.35
2X07P	7.50	15.90	17.60
2X10P	11.25	19.65	21.35
2X15P	17.50	25.90	27.60
2X17P	20.00	28.40	30.10
2X18P	21.25	29.65	31.35
2X20P	23.75	32.15	33.85
2X21P	25.00	33.40	35.10



				UNIT	SCALE	SHEET	TITLE:
				mm	1 : 1	1 of 1	
DRAWN BY		APPROVED BY		1.25mm PITCH DUAL ROW HOUSING LOCK TYPE			
歐陽小強		謝瑞清					
2009.07.27		2009.07.27					
GENERAL TOLERANCE				ANGLE±			
A2	EN1109300443	2011.11.07	陳錦展	X.X±0.25	DRAW NO. : A1252HA-2XNP		
A1	EN1104200112	2011.04.20	陳錦展	X.XX±0.15			
REV.	DESCRIPTION	DATE	NAME	X.XXX±0.05			

1 | 2 | 3 | 4 |

A | A

B | B

C | C

D | D

1 | 2 | 3 | 4 |