

ZMM5221B~ZMM5266B

SURFACE MOUNT ZENER DIODES

VOLTAGE 2.4 to 68 Volts

POWER 500 mWatts

MINI-MELF / LL34

Unit : inch(mm)

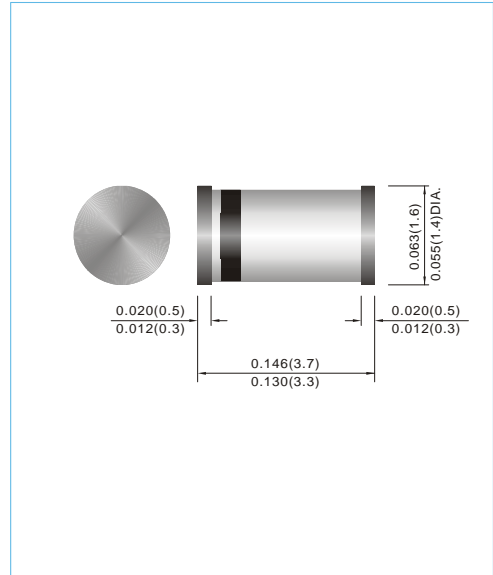
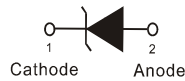
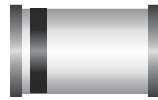
FEATURES

- Planar Die construction
- 500mW Power Dissipation
- Ideally Suited for Automated Assembly Processes
- Lead free in comply with EU RoHS 2011/65/EU directives

MECHANICAL DATA

- Case: Molded Glass MINI-MELF
- Terminals: Solderable per MIL-STD-750, Method 2026
- Approx. Weight: 0.03 grams
- Packing information

T/R - 2.5K per 7" plastic Reel



MAXIMUM RATINGS AND ELECTRICAL CHARACTERISTICS

| Parameter | Symbol | Value | Units |
|---|-----------|-------------|------------------|
| Power Dissipation at $T_A = 25^\circ\text{C}$ | P_{TOT} | 500 | mW |
| Operating Junction Temperature Range | T_J | -65 to +175 | $^\circ\text{C}$ |
| Storage Temperature Range | T_{STG} | -65 to +175 | $^\circ\text{C}$ |

Valid provided that leads at a distance of 10mm from case are kept at ambient temperature.

| Parameter | Symbol | Min. | Typ. | Max. | Units |
|--|-----------------|------|------|------|----------------------------|
| Thermal Resistance Junction to Ambient Air | $R_{\theta JA}$ | -- | -- | 0.3 | $^\circ\text{C}/\text{mW}$ |
| Forward Voltage at $I_F = 200\text{mA}$ | V_F | -- | -- | 1.1 | V |

Valid provided that leads at a distance of 10mm from case are kept at ambient temperature.

ZMM5221B~ZMM5266B

| Part Number | Nominal Zener Voltage | | | Max. Zener Impedance | | | | Max Reverse Leakage Current | | Marking code |
|-------------|-----------------------|--------|--------|----------------------|-----|-----------|------|-----------------------------|-----|--------------|
| | Vz @ IzT | | | ZzT @ IzT | | Zzk @ Izk | | Ir @ VR | | |
| | Nom. V | Min. V | Max. V | Ω | mA | Ω | mA | uA | V | |
| ZMM5221B | 2.4 | 2.28 | 2.52 | 30 | 20 | 1200 | 0.25 | 100 | 1 | 5221 |
| ZMM5222B | 2.5 | 2.38 | 2.63 | 30 | 20 | 1250 | 0.25 | 100 | 1 | 5222 |
| ZMM5223B | 2.7 | 2.57 | 2.84 | 30 | 20 | 1300 | 0.25 | 75 | 1 | 5223 |
| ZMM5224B | 2.8 | 2.66 | 2.94 | 30 | 20 | 1400 | 0.25 | 75 | 1 | 5224 |
| ZMM5225B | 3 | 2.85 | 3.15 | 29 | 20 | 1600 | 0.25 | 50 | 1 | 5225 |
| ZMM5226B | 3.3 | 3.14 | 3.47 | 28 | 20 | 1600 | 0.25 | 25 | 1 | 5226 |
| ZMM5227B | 3.6 | 3.42 | 3.78 | 24 | 20 | 1700 | 0.25 | 15 | 1 | 5227 |
| ZMM5228B | 3.9 | 3.71 | 4.1 | 23 | 20 | 1900 | 0.25 | 10 | 1 | 5228 |
| ZMM5229B | 4.3 | 4.09 | 4.52 | 22 | 20 | 2000 | 0.25 | 5 | 1 | 5229 |
| ZMM5230B | 4.7 | 4.47 | 4.94 | 19 | 20 | 1900 | 0.25 | 5 | 2 | 5230 |
| ZMM5231B | 5.1 | 4.85 | 5.36 | 17 | 20 | 1600 | 0.25 | 5 | 2 | 5231 |
| ZMM5232B | 5.6 | 5.32 | 5.88 | 11 | 20 | 1600 | 0.25 | 5 | 3 | 5232 |
| ZMM5233B | 6.0 | 5.7 | 6.3 | 7 | 20 | 1600 | 0.25 | 5 | 3.5 | 5233 |
| ZMM5234B | 6.2 | 5.89 | 6.51 | 7 | 20 | 1000 | 0.25 | 5 | 4 | 5234 |
| ZMM5235B | 6.8 | 6.46 | 7.14 | 5 | 20 | 750 | 0.25 | 3 | 5 | 5235 |
| ZMM5236B | 7.5 | 7.13 | 7.88 | 6 | 20 | 500 | 0.25 | 3 | 6 | 5236 |
| ZMM5237B | 8.2 | 7.79 | 8.61 | 8 | 20 | 500 | 0.25 | 3 | 6.5 | 5237 |
| ZMM5238B | 8.7 | 8.27 | 9.14 | 8 | 20 | 600 | 0.25 | 3 | 6.5 | 5238 |
| ZMM5239B | 9.1 | 8.65 | 9.56 | 10 | 20 | 600 | 0.25 | 3 | 7 | 5239 |
| ZMM5240B | 10 | 9.5 | 10.5 | 17 | 20 | 600 | 0.25 | 3 | 8 | 5240 |
| ZMM5241B | 11 | 10.45 | 11.55 | 22 | 20 | 600 | 0.25 | 2 | 8.4 | 5241 |
| ZMM5242B | 12 | 11.4 | 12.6 | 30 | 20 | 600 | 0.25 | 1 | 9.1 | 5242 |
| ZMM5243B | 13 | 12.35 | 13.65 | 13 | 9.5 | 600 | 0.25 | 0.5 | 9.9 | 5243 |
| ZMM5244B | 14 | 13.3 | 14.7 | 15 | 9 | 600 | 0.25 | 0.1 | 10 | 5244 |
| ZMM5245B | 15 | 14.25 | 15.75 | 16 | 8.5 | 600 | 0.25 | 0.1 | 11 | 5245 |
| ZMM5246B | 16 | 15.2 | 16.8 | 17 | 7.8 | 600 | 0.25 | 0.1 | 12 | 5246 |
| ZMM5247B | 17 | 16.15 | 17.85 | 19 | 7.4 | 600 | 0.25 | 0.1 | 13 | 5247 |
| ZMM5248B | 18 | 17.1 | 18.9 | 21 | 7 | 600 | 0.25 | 0.1 | 14 | 5248 |
| ZMM5249B | 19 | 18.05 | 19.95 | 23 | 6.6 | 600 | 0.25 | 0.1 | 14 | 5249 |
| ZMM5250B | 20 | 19 | 21 | 25 | 6.2 | 600 | 0.25 | 0.1 | 15 | 5250 |
| ZMM5251B | 22 | 20.9 | 23.1 | 29 | 5.6 | 600 | 0.25 | 0.1 | 17 | 5251 |
| ZMM5252B | 24 | 22.8 | 25.2 | 33 | 5.2 | 600 | 0.25 | 0.1 | 18 | 5252 |
| ZMM5253B | 25 | 23.75 | 26.25 | 35 | 5 | 600 | 0.25 | 0.1 | 19 | 5253 |
| ZMM5254B | 27 | 25.65 | 28.35 | 41 | 4.6 | 600 | 0.25 | 0.1 | 21 | 5254 |
| ZMM5255B | 28 | 26.6 | 29.4 | 44 | 4.5 | 600 | 0.25 | 0.1 | 21 | 5255 |
| ZMM5256B | 30 | 28.5 | 31.5 | 49 | 4.2 | 600 | 0.25 | 0.1 | 23 | 5256 |
| ZMM5257B | 33 | 31.35 | 34.65 | 58 | 3.8 | 700 | 0.25 | 0.1 | 25 | 5257 |
| ZMM5258B | 36 | 34.2 | 37.8 | 70 | 3.4 | 700 | 0.25 | 0.1 | 27 | 5258 |
| ZMM5259B | 39 | 37.05 | 40.95 | 80 | 3.2 | 800 | 0.25 | 0.1 | 30 | 5259 |
| ZMM5260B | 43 | 40.85 | 45.15 | 93 | 3 | 900 | 0.25 | 0.1 | 33 | 5260 |
| ZMM5261B | 47 | 44.65 | 49.35 | 150 | 2.7 | 1000 | 0.25 | 0.1 | 36 | 5261 |
| ZMM5262B | 51 | 48.45 | 53.55 | 125 | 2.5 | 1100 | 0.25 | 0.1 | 39 | 5262 |
| ZMM5263B | 56 | 53.2 | 58.8 | 150 | 2.2 | 1300 | 0.25 | 0.1 | 43 | 5263 |
| ZMM5264B | 60 | 57 | 63 | 170 | 2.1 | 1400 | 0.25 | 0.1 | 46 | 5264 |
| ZMM5265B | 62 | 58.9 | 65.1 | 185 | 2 | 1400 | 0.25 | 0.1 | 47 | 5265 |
| ZMM5266B | 68 | 64.6 | 71.4 | 230 | 1.8 | 1600 | 0.25 | 0.1 | 52 | 5266 |

Notes.

STANDARD VOLTAGE TOLERANCE IS + 5% AND :

SUFFIX " A " FOR + 3%

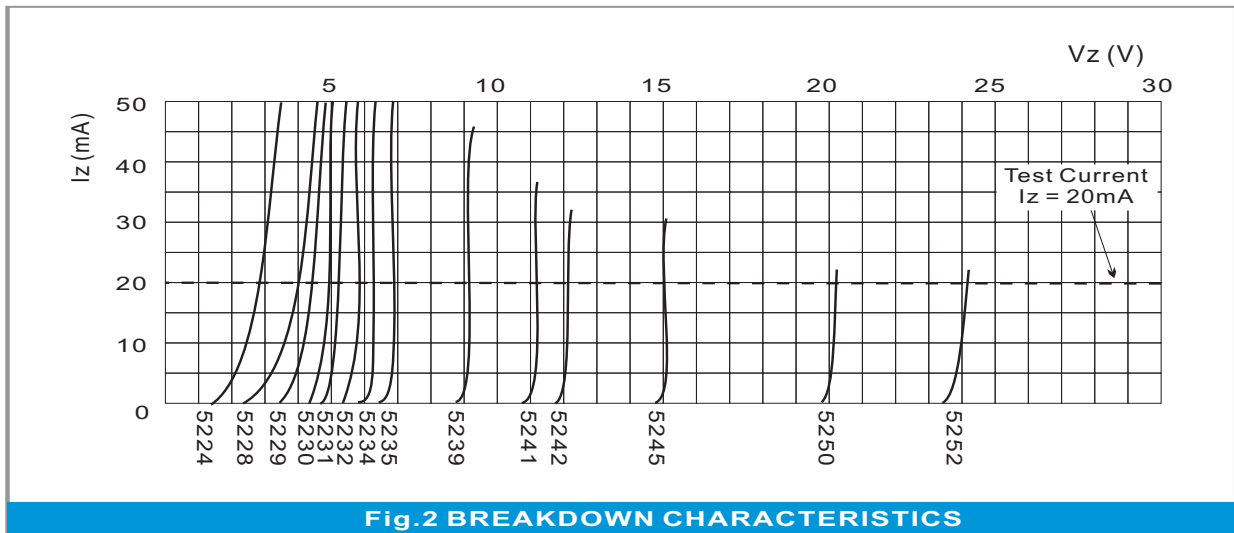
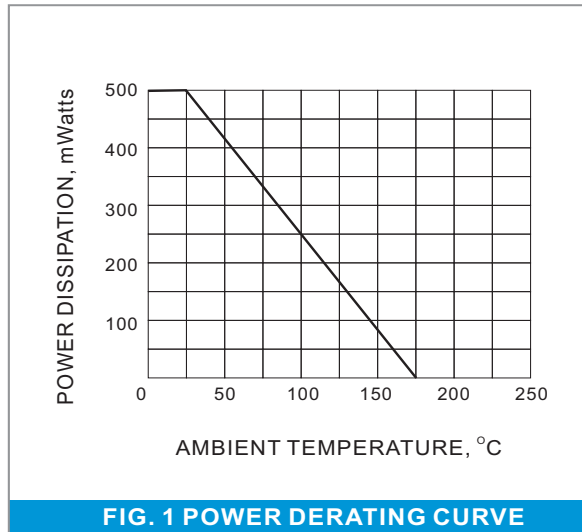
SUFFIX " B " FOR + 5%

SUFFIX " C " FOR + 10%

SUFFIX " D " FOR + 20%

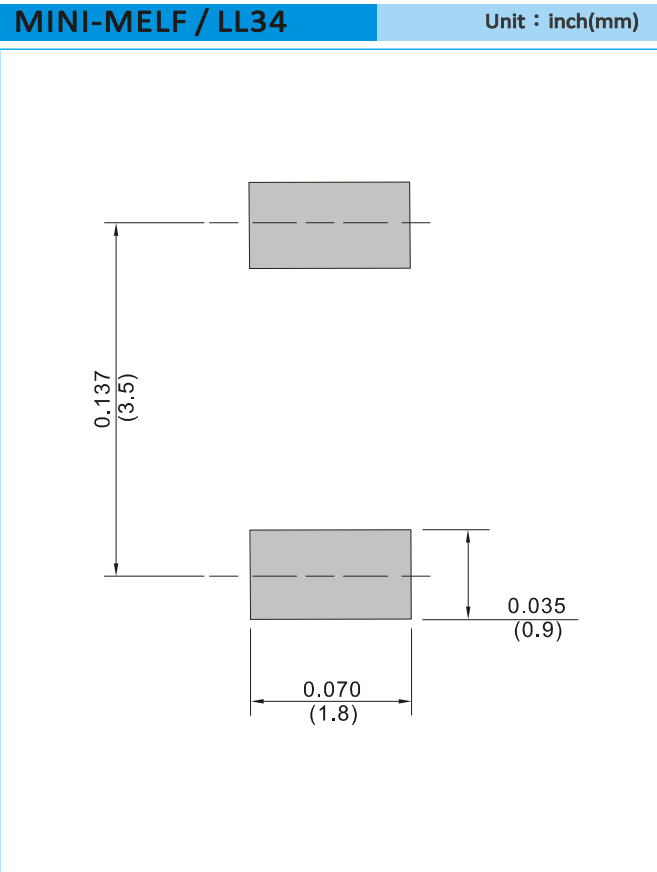
ZMM5221B~ZMM5266B

RATING AND CHARACTERISTIC CURVES



ZMM5221B~ZMM5266B

MOUNTING PAD LAYOUT



ORDER INFORMATION

- Packing information
T/R - 10K per 13" plastic Reel
T/R - 2.5K per 7" plastic Reel

ZMM5221B~ZMM5266B

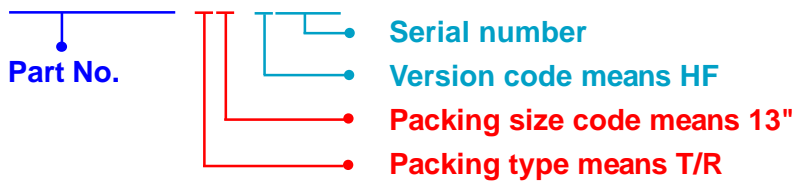
Part No_packing code_Version

ZMM5221B_R1_10001

ZMM5221B_R2_10001

For example :

RB500V-40_R2_00001



| Packing Code XX | | | | Version Code XXXXX | | |
|--------------------------------------|----------------------|----------------------------------|----------------------|---------------------------|----------------------|---------------------------------------|
| Packing type | 1 st Code | Packing size code | 2 nd Code | HF or RoHS | 1 st Code | 2 nd ~5 th Code |
| Tape and Ammunition Box (T/B) | A | N/A | 0 | HF | 0 | serial number |
| Tape and Reel (T/R) | R | 7" | 1 | RoHS | 1 | serial number |
| Bulk Packing (B/P) | B | 13" | 2 | | | |
| Tube Packing (T/P) | T | 26mm | X | | | |
| Tape and Reel (Right Oriented) (TRR) | S | 52mm | Y | | | |
| Tape and Reel (Left Oriented) (TRL) | L | PANASERT T/B CATHODE UP (PBCU) | U | | | |
| FORMING | F | PANASERT T/B CATHODE DOWN (PBCD) | D | | | |

ZMM5221B~ZMM5266B

Disclaimer

- Reproducing and modifying information of the document is prohibited without permission from Panjit International Inc..
- Panjit International Inc. reserves the rights to make changes of the content herein the document anytime without notification. Please refer to our website for the latest document.
- Panjit International Inc. disclaims any and all liability arising out of the application or use of any product including damages incidentally and consequentially occurred.
- Panjit International Inc. does not assume any and all implied warranties, including warranties of fitness for particular purpose, non-infringement and merchantability.
- Applications shown on the herein document are examples of standard use and operation. Customers are responsible in comprehending the suitable use in particular applications. Panjit International Inc. makes no representation or warranty that such applications will be suitable for the specified use without further testing or modification.
- The products shown herein are not designed and authorized for equipments requiring high level of reliability or relating to human life and for any applications concerning life-saving or life-sustaining, such as medical instruments, transportation equipment, aerospace machinery et cetera. Customers using or selling these products for use in such applications do so at their own risk and agree to fully indemnify Panjit International Inc. for any damages resulting from such improper use or sale.
- Since Panjit uses lot number as the tracking base, please provide the lot number for tracking when complaining.