

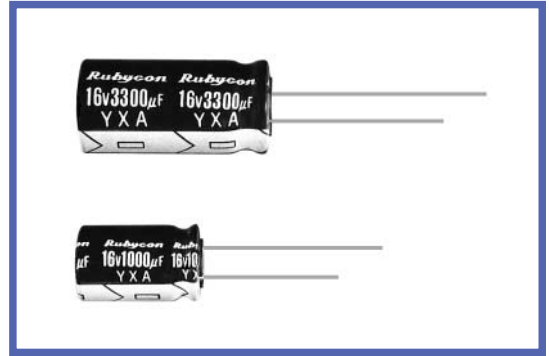


MINIATURE ALUMINUM ELECTROLYTIC CAPACITORS

YXA

YXA SERIES

Previous Series



105°C Standard

◆FEATURES

- RoHS compliance.

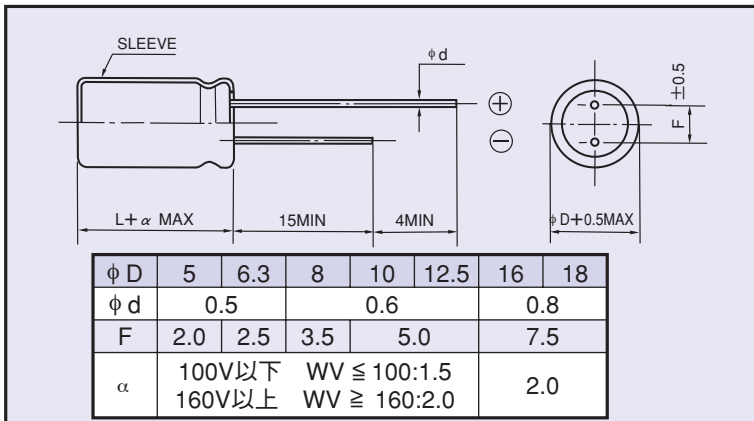
◆SPECIFICATIONS

Items	特 性 Characteristics													
Category Temperature Range	-55~+105°C	-40~+105°C	-25~+105°C											
Rated Voltage Range	6.3~100V.DC	160~250V.DC	350~450V.DC											
Capacitance Tolerance	±20% (20°C, 120Hz)													
Leakage Current(MAX)	6.3~100V.DC		160~450V.DC											
	I=0.01CV or 3 µA whichever is greater. (After 2 minutes application of rated voltage)		CV ≤ 1000											
			CV > 1000											
I=Leakage Current(µA) C=Rated Capacitance(µF) V=Rated Voltage(V)		I=0.1CV+40 µA (1minute)	I=0.04CV+100 µA (1minute)											
		I=0.03CV+15 µA (5minutes)	I=0.02CV+25 µA (5minutes)											
(tanδ) Dissipation Factor(MAX)	Rated Voltage (V) 6.3 10 16 25 35 50 63 100 160 200 250 350 400 450 (20°C, 120Hz)													
	tan δ 0.26 0.22 0.18 0.16 0.14 0.12 0.10 0.08 0.20 0.20 0.20 0.24 0.24 0.24													
When rated capacitance is over 1000 µF, tan δ shall be added 0.02 to the listed value with increase of every 1000 µF.														
Endurance	After life test with rated ripple current at conditions stated in the table below, the capacitors shall meet the following requirements.													
	Capacitance Change		Within ±25% of the initial value.									Case Size		Life Time (hrs)
	Dissipation Factor		Not more than 200% of the specified value.									φ D ≤ 8		1000
Leakage Current		Not more than the specified value.									φ D = 10		2000	
												φ D ≥ 12.5		3000
Low Temperature Stability Impedance Ratio(MAX)	Rated Voltage (V) 6.3 10 16 25 35 50 63 100 160 200 250 350 400 450 (120Hz)													
	Z(-25°C)/Z(20°C) 4 3 2 2 2 2 2 2 3 3 3 6 6 6													
	Z(-40°C)/Z(20°C) 8 6 4 4 3 3 3 3 - - - - -													

◆DIMENSIONS

(mm)

◆MULTIPLIER FOR RIPPLE CURRENT



Frequency coefficient

Frequency (Hz)		60(50)	120	500	1k	10k ≤
Coefficient	0.1~1 µF	0.50	1.00	1.20	1.30	1.50
	2.2~4.7 µF	0.65	1.00	1.20	1.30	1.50
	10~47 µF	0.80	1.00	1.20	1.30	1.50
	100~1000 µF	0.80	1.00	1.10	1.15	1.20
	2200~22000 µF	0.80	1.00	1.05	1.10	1.15

◆PART NUMBER

□□□ YXA □□□□□ □ □□□ □□ DXL
 Rated Voltage Series Rated Capacitance Capacitance Tolerance Option Lead Forming Case Size

