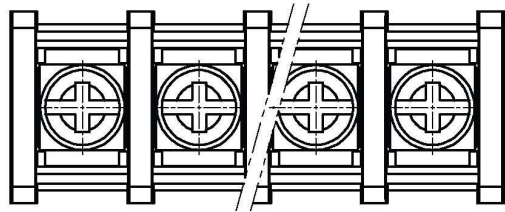
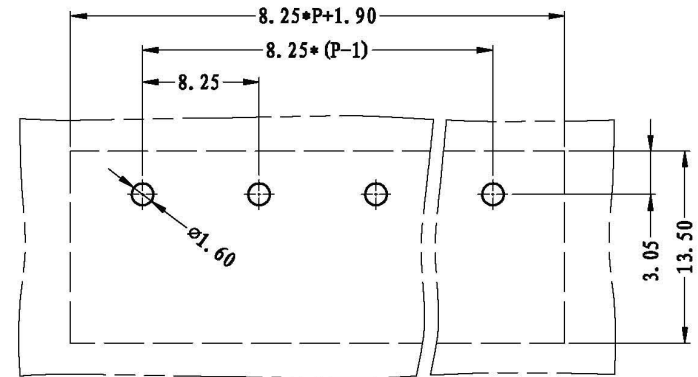
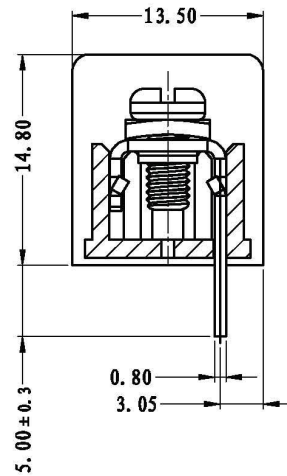
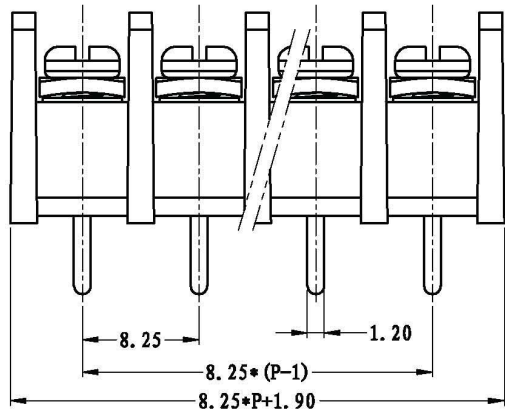


REVISION RECORD			
REV.	CONTENT	MOD.	DATE
△	初版发行		



NOTES:
 Pitch: 8.25mm
 Rated Voltage: 300V
 Rated Current: 20A
 Withstand Voltage:
 AC2500V for 1 minute
 Insulation Resistance:
 5MΩ / DC500V
 Using Temperature Range:
 -40℃ ~ +130℃
 Wire range: 22~12 AWG
 Screw Torque Value: 0.5Nm

技术要求:
 间距: 8.25mm
 额定电压: 300V
 额定电流: 20A
 耐电压值: AC2500V/min
 绝缘阻抗: 5MΩ/DC500V
 使用条件: -40℃~+130℃
 适用线规: 22~12 AWG
 螺丝扭矩: 0.5Nm



	pitch dimension			Nominal dimension					— ◇ ○
	over 0 to 6	over 6 to 10	over 10 to 24	over 0 to 30	over 30 to 60	over 60 to 100	over 100 to 150	0.05/10	
variable range									
Tolerance	±0.1	±0.15	±0.25	±0.2	±0.3	±0.5	±0.7	±1.0	

3	M3*6-6*6	SQPPA306023V	P	碳钢	镀锌
2	LW1B-7.62-焊脚	5010B0002AV	P	黄铜	镀雾锡
1	LW1-8.25-本体	5014A0YXXAV	1	PBT	
NO.	NAME OF PART	NO. OF PART	Q'TY	MATERIAL	NOTES
DES.	ARKINE	DATE	11-05-10	UNITS	MM
CHK.		DATE		SIZE	A4
APP.		DATE		SCALE	1:1
上海联捷电气有限公司 Shanghai Binker Electric C.O., LTD				TITLE	LW1B-8.25-XXP-1Y-00A LW1B-8.25-成品
				DWG NO.	SP-2-5014002 REV: V0