

AT-CUT CRYSTAL UNIT (Metal-can Type)

RoHS compliant

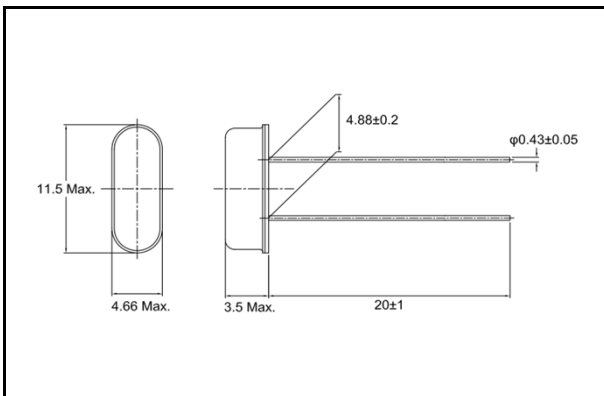
HC-49/U-S



■ FEATURES

- Frequency range : 3.5 ~ 50.0MHz
- External dimensions (mm)
L : 11.5 x W : 4.66 x H : 3.5
- Applications
Consumer products

■ DIMENSION [mm]



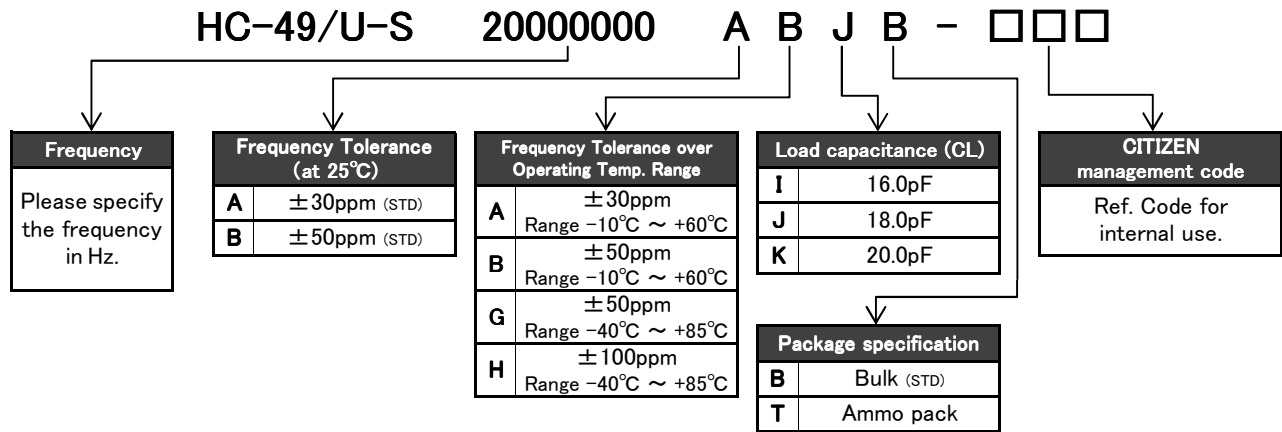
■ STANDARD SPECIFICATIONS

| Item | Model | HC-49/U-S | Conditions |
|--|----------------|--|---|
| Nominal Frequency | f_0 | 3.5MHz ~ 30.0MHz (Fundamental) 30.0MHz ~ 50.0MHz (3rd Overtone) | Please contact us for frequencies available |
| Frequency Tolerance | $\Delta f/f_0$ | ± 30 ppm | at 25°C |
| Frequency Tolerance over Operating Temperature Range | $\Delta f/f_0$ | below 6.0MHz: ± 50 ppm above 6.0MHz: ± 30 ppm | -10°C ~ +60°C |
| Operating Temperature Range | T_{OPR} | -20°C ~ +70°C | |
| Storage Temperature Range | T_{STR} | -40°C ~ +85°C | |
| Motional (series) resistance | R_1 | Refer to the following table | at 25°C |
| Load capacitance | C_L | Fundamental: 10.0pF ~ ∞ 3rd Overtone: 5.0pF ~ ∞ | Please specify your requirement |
| Shunt capacitance | C_0 | 7.0pF Max. | |
| Level of drive | D_L | 100 μ W | |
| Insulation Resistance | I_R | 500M Ω Min. | DC100V \pm 15V |
| Aging (first year) | $\Delta f/f_0$ | ± 5 ppm Max. | 25°C \pm 3°C |

■ MOTIONAL (SERIES) RESISTANCE (R₁)

| Freq. Range (MHz) | $3.5 \leq f_0 < 4.0$ | $4.0 \leq f_0 < 6.0$ | $6.0 \leq f_0 < 10.0$ | $10.0 \leq f_0 < 14.0$ | $14.0 \leq f_0 < 30.0$ | $30.0 \leq f_0 < 36.0$ | $36.0 \leq f_0 \leq 50.0$ |
|-------------------|----------------------|----------------------|-----------------------|------------------------|------------------------|------------------------|---------------------------|
| Mode | Fundamental | Fundamental | Fundamental | Fundamental | Fundamental | 3rd Overtone | 3rd Overtone |
| R ₁ | 200 Ω Max. | 150 Ω Max. | 100 Ω Max. | 80 Ω Max. | 50 Ω Max. | 140 Ω Max. | 100 Ω Max. |

■ PART NUMBERING SYSTEM



*Please contact us for specifications available.

■ Part Marking [standard]



f : The first 4 digits of Frequency including the decimal point

C : Manufacture's ID Code

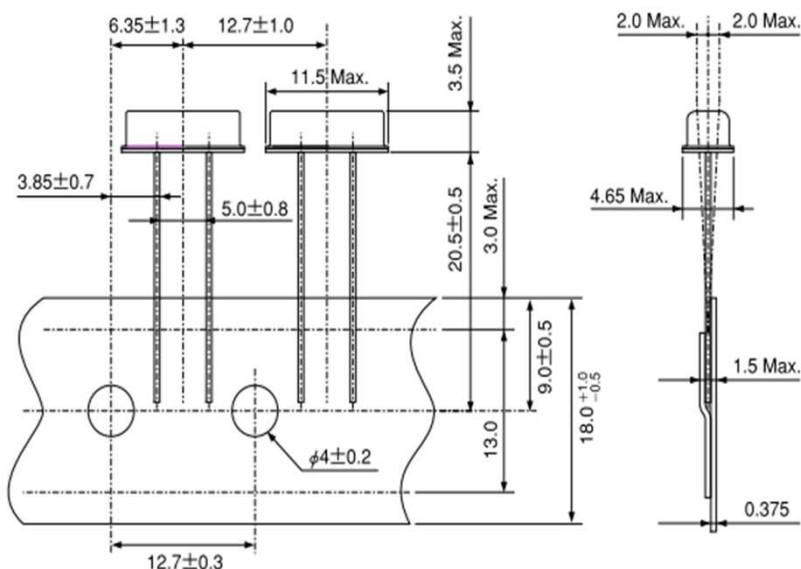
y : The last digit of production year

m : Production month (See Table.1)

Table.1

| Month | Jan | Feb | ... | Sep | Oct | Nov | Dec |
|-------|-----|-----|-----|-----|-----|-----|-----|
| Code | 1 | 2 | ... | 9 | X | Y | Z |

■ Taping dimension : 2,000pcs/Ammo pack [mm]



Product specifications are subject to change without notice.

Rev.2