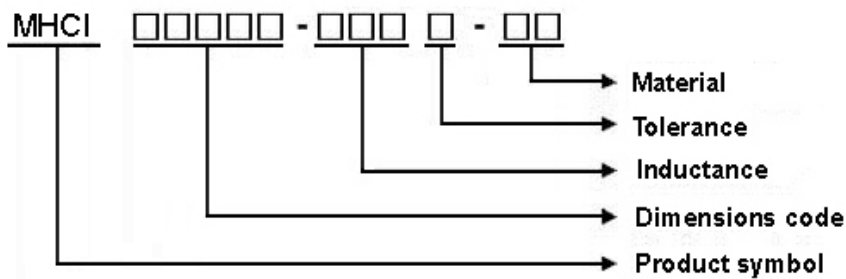




# MHCI06030 Series Specification

**1 Scope:** This specification applies to large current and low loss SMD shielding power inductor.

**2 Part Numbering:**

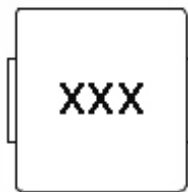


**3 Rating:**

Operating Temperature:  $-55^{\circ}\text{C} \sim 125^{\circ}\text{C}$  (Including self - temperature rise)

Storage Temperature: (on tape & reel):  $-20^{\circ}\text{C}$  to  $+40^{\circ}\text{C}$ ; 75% RH max.

**4 Marking:**



**Ex : MCHI06030-R68M-R8**

**Marking : R68**

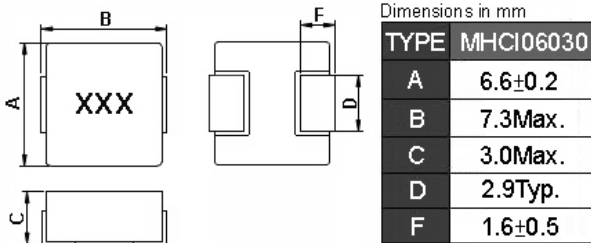
**Marking color : Black**

**5 Standard Testing Condition**

	Unless otherwise specified	In case of doubt
Temperature	Ordinary Temperature(15 to 35°C)	20 to 30°C
Humidity	Ordinary Humidity(25 to 85% RH)	50 to 80 %RH

# MHCI06030 Series Specification

## 6 Configuration and Dimensions:



## 7 Electrical Characteristics:

Part No.	Inductance (uH)	Tolerance (±%)	Test Freq.	I <sub>rms</sub> (A) Typ.	I <sub>sat</sub> (A) Typ.	RDC(mΩ) Max.	Marking
MHCI06030-R10M-S8	0.1	20	100kHz,0.5V	37	45	1.5(1.3typ)	R10
MHCI06030-R22M-S8	0.22	20	100kHz,0.5V	23	40	2.8(2.5typ)	R22
MHCI06030-R33M-S8	0.33	20	100kHz,0.5V	20	33	4.2(4.0typ)	R33
MHCI06030-R47M-S8	0.47	20	100kHz,0.5V	16.5	27	5.5(5.0typ)	R47
MHCI06030-R56M-S8	0.56	20	100kHz,0.5V	16.5	27	5.5(5.0typ)	R56
MHCI06030-R68M-S8	0.68	20	100kHz,0.5V	15	24	6.3(5.7typ)	R68
MHCI06030-R82M-S8	0.82	20	100kHz,0.5V	13	23	8.0(7.5typ)	R82
MHCI06030-1R0M-S8	1	20	100kHz,0.5V	12	22	10(9.0typ)	1R0
MHCI06030-1R5M-S8	1.5	20	100kHz,0.5V	9.5	18	15(13.5typ)	1R5
MHCI06030-1R8M-S8	1.8	20	100kHz,0.5V	9.5	14	15(13.5typ)	1R8
MHCI06030-2R2M-S8	2.2	20	100kHz,0.5V	8.5	14	20(17.0typ)	2R2
MHCI06030-3R3M-S8	3.3	20	100kHz,0.5V	6	12	35(32.0typ)	3R3
MHCI06030-4R7M-S8	4.7	20	100kHz,0.5V	5.5	9	40(35.0typ)	4R7
MHCI06030-5R6M-S8	5.6	20	100kHz,0.5V	5.5	8	40(35.0typ)	5R6
MHCI06030-6R8M-S8	6.8	20	100kHz,0.5V	4.5	8	60(54.0typ)	6R8
MHCI06030-150M-S8	15	20	100kHz,0.5V	3	5	122(111typ)	150
MHCI06030-220M-S8	22	20	100kHz,0.5V	3	3.2	145(130typ)	220
MHCI06030-330M-S8	33	20	100kHz,0.5V	2	3	270(245typ)	330

### Note:

1. Operating temperature range -55°C~125°C (Including self - temperature rise)
2. I<sub>sat</sub> for Inductance drop 30% from its value without current.
3. I<sub>rms</sub> for a 40°C temperature rise from 25°C ambient.
4. The part temperature (ambient + temp rise) should not exceed 125°C under worst case operating conditions.

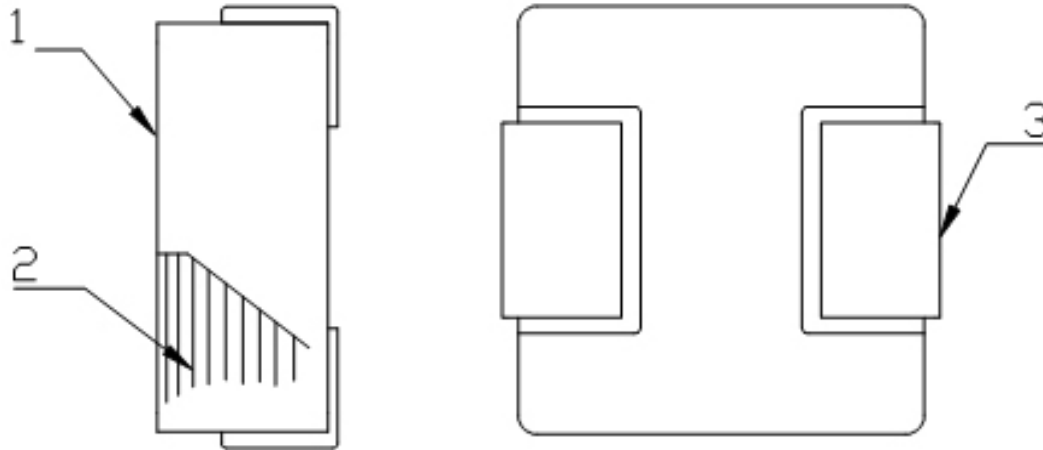
Circuit design 125°C under worst case operating conditions. Component placement, PWB trace size and thickness, airflow and other cooling provisions all affect the part temperature. Part temperature should be verified in the end application.

5. Absolute maximum voltage 30VDC

## MHCI06030 Series Specification

### 8 MHCI06030 Series

#### 8.1 Construction:



#### 8.2 Material List:

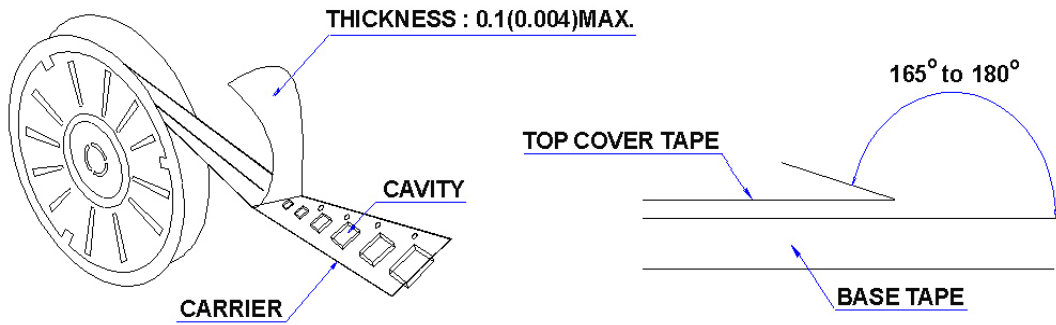
No	Part	Material
1	CORE	Alloy powder
2	WIRE	Copper wire
3	TERMINAL	TERMINAL COPPER

# MHCI06030 Series Specification

## 9 Packaging:

### 9.1 Packaging -Cover Tape

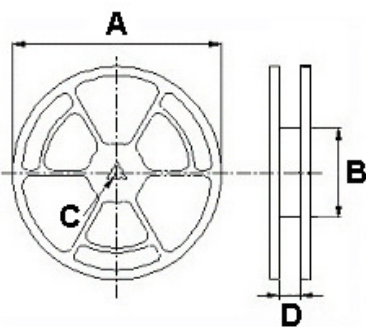
The force for tearing off cover tape is 10 to 130 grams in the arrow direction.



### 9.2 Packaging Quantity

TYPE	PCS/REEL
MHCI06030	1000

### 9.3 Reel Dimensions



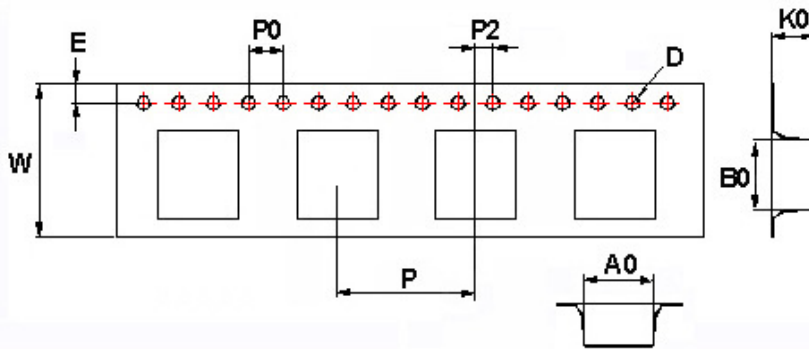
Dimensions in mm

TYPE	A	B	C	D
MHCI06030	330	100	13	16

# MHCI06030 Series Specification

## 9 Packaging:

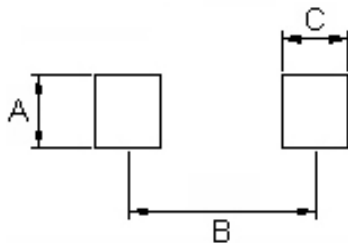
### 9.4 Tape Dimensions in mm



TYPE	A0	B0	K0	D	E	W	P	P0	P2
MHC106030	6.9	7.6	3.4	1.55	1.75	16	12	4	2

## 10 Recommended Land Pattern:

PAD LAYOUT



Dimensions in mm

TYPE	A(in/mm)	B(in/mm)	C(in/mm)
MHC106030	0.138/3.5	0.238/6.05	0.093/2.35

## 11 Note:

1. Please make sure that your product has been evaluated and confirmed against your specifications when our product is mounted to your product.
2. Do not knock nor drop.
3. All the items and parameters in this product specification have been prescribed on the premise that our product is used for the purpose, under the condition and in the environment agreed upon between you and us. You are requested not to use our product deviating from such agreement.
4. Please keep the distance between transformer/coil and other components (refer to the standard IEC 950)
5. The moisture sensitivity level (MSL) of products is classified as level 1.



ISO9001 ISO14001 IATF16949 CHILISIN ELECTRONICS CORP.

# MHCI06030 Series Specification

12 Graph: MHCI06030-3R3M-S8

