



# SQH5040S SERIES ~ Low Profile SMD Power Inductors

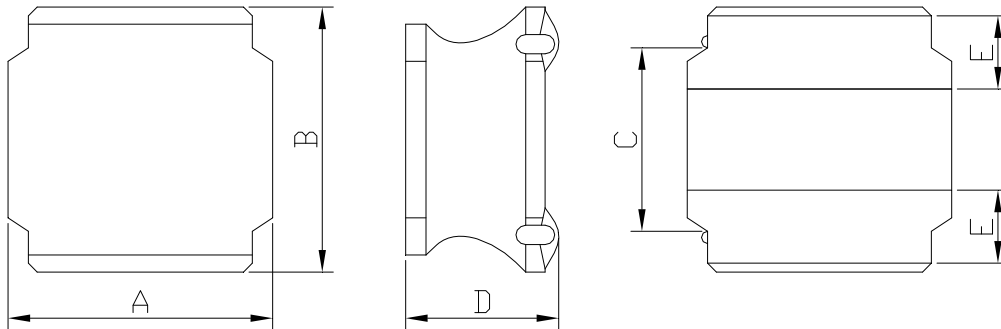


## PART NUMBERING SYSTEM

<b>SQH</b>	<b>5040S</b>	—	<b>150M</b>	—	<b>LF</b>
TYPE	DIMENSIONS		INDUCTANCE		LEAD FREE

## SHAPES AND DIMENSIONS

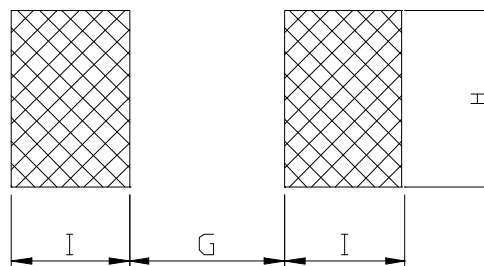
UNIT : mm



**A=5.2 Max. B=5.2 Max. C=3.25 Ref. D=4.0 Max. E=1.2±0.2**

## RECOMMENDED PATTERNS

UNIT : mm



**G= 2.10 H= 4.00 I = 1.50**

## FEATURES

- \* Low profile and small inductors ( 5.2mm Max. square and 4.0mm Max. height )
- \* Magnetically shielded construction and high current
- \* Ideal for DC-DC converter choke coil for portable equipments ( DVDs , DSC , Cellular , PDAs )
- \* RoHS compliant option with lead free



## SQH5040S SERIES ~ Low Profile SMD Power Inductors



### SPECIFICATION TABLE

PART NUMBER	INDUCTANCE ( $\mu$ H)	DCR (m $\Omega$ ) (Max.)	Isat (A) (Max.)	Irms (A) (Max.)	TEST FREQ. ( f )
SQH5040S-1R5N-LF	1.5 $\pm$ 30%	24	6.00	3.60	100KHz
SQH5040S-2R2N-LF	2.2 $\pm$ 30%	26	4.60	3.50	100KHz
SQH5040S-3R3M-LF	3.3 $\pm$ 30%	32	3.80	3.30	100KHz
SQH5040S-4R7M-LF	4.7 $\pm$ 30%	35	3.30	3.10	100KHz
SQH5040S-6R8M-LF	6.8 $\pm$ 20%	59	2.60	2.30	100KHz
SQH5040S-100M-LF	10 $\pm$ 20%	67	2.30	2.10	100KHz
SQH5040S-150M-LF	15 $\pm$ 20%	96	2.00	1.80	100KHz
SQH5040S-220M-LF	22 $\pm$ 20%	151	1.60	1.40	100KHz
SQH5040S-330M-LF	33 $\pm$ 20%	216	1.30	1.20	100KHz
SQH5040S-470M-LF	47 $\pm$ 20%	372	1.10	0.90	100KHz

- Isat : DC current at which the inductance drops 30%(typ) from its value without current.
- Irms : The temperature rise current value is the DC current value having temperature increase up 40°C temperature rise from 25°C ambient.
- Operating temperature range -40°C to +105°C , Electrical specifications at 25°C .