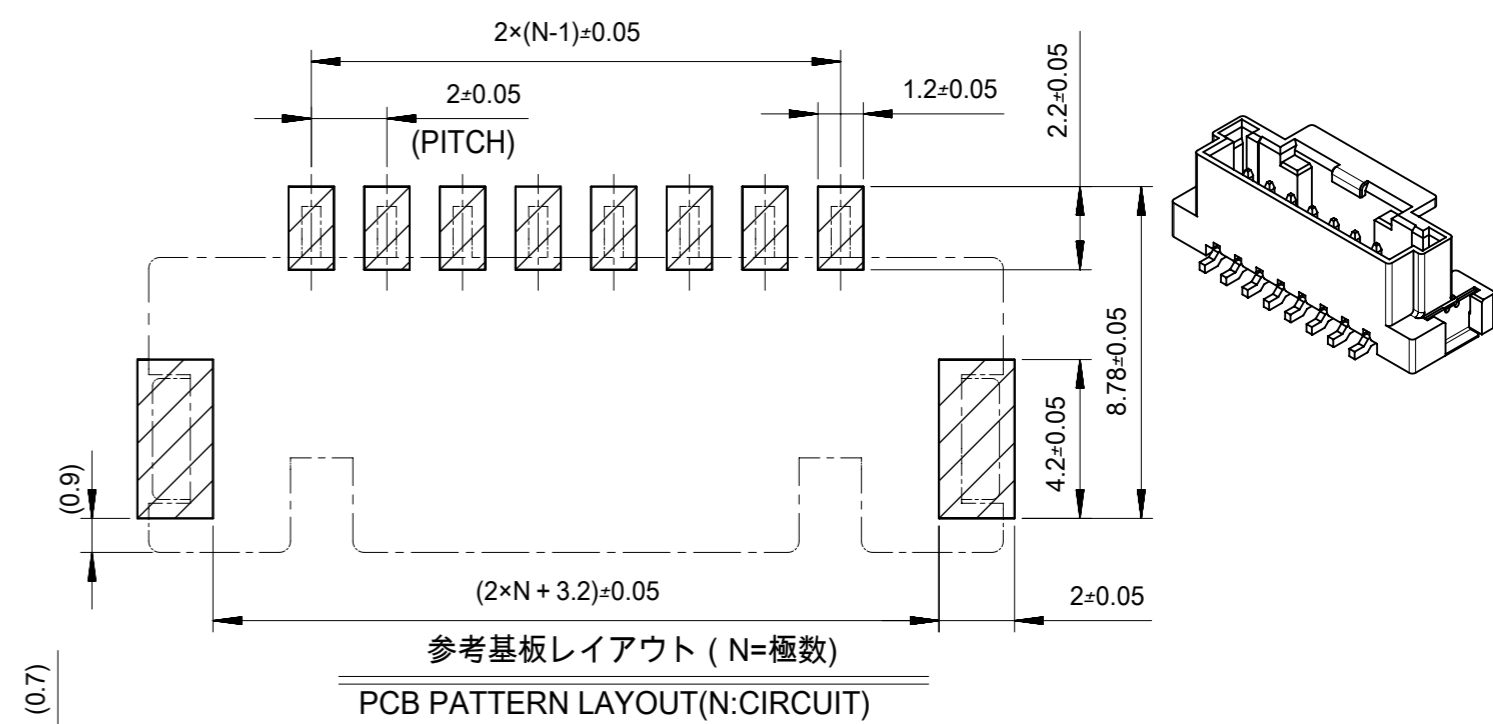
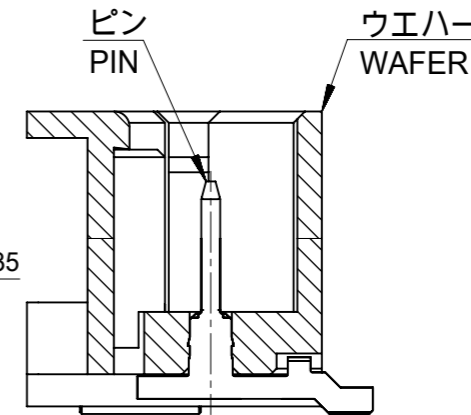
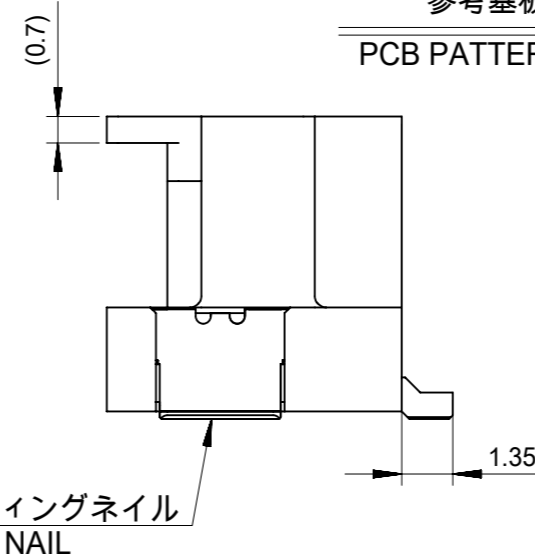


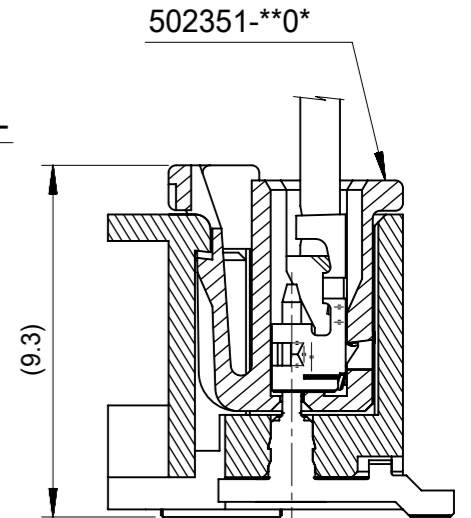
8CKTS



参考基板レイアウト (N=極数)
PCB PATTERN LAYOUT (N:CIRCUIT)



SECTION Z-Z



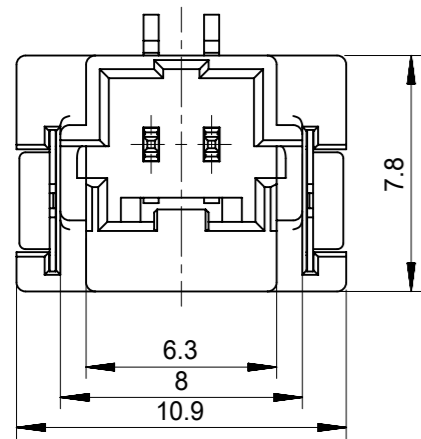
嵌合図
MATED DRAWING

注記
NOTES

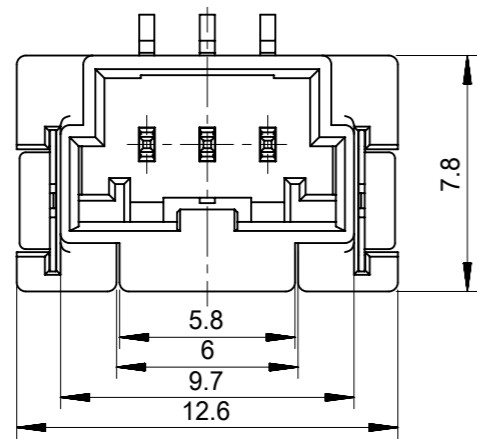
- 材質
ウエハー: 耐熱性ナイロン UL94V-0
ピン: 銅合金、ニッケル下地、錫メッキ、金メッキ
フィッティングネイル: 銅合金、ニッケル下地、錫メッキ
MATERIAL
WAFER: POLYAMIDE UL94V-0
PIN: COPPER ALLOY, GOLD OR TIN OVER NICKEL PLATE.
FITTING NAIL: COPPER ALLOY, TIN OVER NICKEL PLATE.
- 色: ナチュラル、黒、赤、青
COLOR: NATURAL, BLACK, RED, BLUE
- 嵌合相手:
ハウジング: 502351-**0*
錫メッキ端子: 50212-8*00, 50372-8*00, 560085-0101
金メッキ端子: 56161-8*81
MATES WITH
HOUSING: 502351-**0*
SN PLATING TERMINAL: 50212-8*00, 50372-8*00, 560085-0101
AU PLATING TERMINAL: 56161-8*81

- エンボス梱包品の詳細はSD-560020-002参照
DETAILED TAPING PACKAGE, SEE SD-560020-002
- ELV及びRoHS適合
ELV AND RoHS COMPLIANT
- 半田付け面のコプラナリティ: 0.1mm MAX.
CO-PLANARITY OF SOLDER TAILS TO BE 0.1mm MAX.
- 一般公差
GENERAL TOLERANCES
10 UNDER: 0.2
10 OVER 30 UNDER: 0.25
30 OVER: 0.3
ANGULAR ±1°

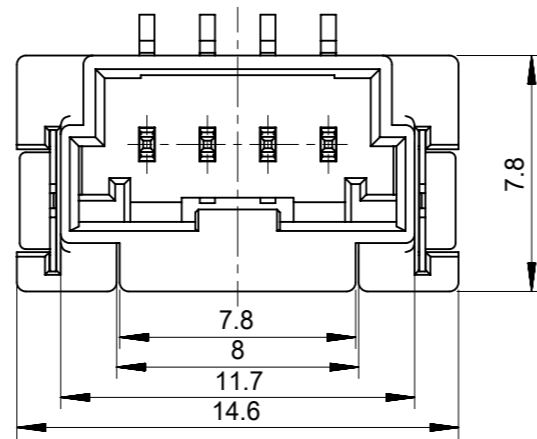
THIS DRAWING CONTAINS INFORMATION THAT IS PROPRIETARY TO MOLEX ELECTRONIC TECHNOLOGIES, LLC AND SHOULD NOT BE USED WITHOUT WRITTEN PERMISSION		CURRENT REV DESC:		molex	
DIMENSION UNITS	SCALE				
mm	5:1			PRODUCT CUSTOMER DRAWING	
GENERAL TOLERANCES (UNLESS SPECIFIED)		EC NO: 177053		DOCUMENT NUMBER	
ANGULAR TOL ± °		DRWN: RHORI 2018/05/21		SD-560020-001	
4 PLACES ±		CHK'D: HKOMATSU 2018/05/23		DOC TYPE DOC PART REVISION	
3 PLACES ±		APPR: TOSADA 2018/05/23		PSD 001 H	
2 PLACES ±		INITIAL REVISION:		MATERIAL NUMBER	
1 PLACE ±		DRWN: SHSHIBATA 2009/02/18		CUSTOMER	
0 PLACES ±		APPR: AKANESHIGE 2009/02/18		GENERAL MARKET	
DRAFT WHERE APPLICABLE MUST REMAIN WITHIN DIMENSIONS		THIRD ANGLE PROJECTION	DRAWING	SERIES	SHEET NUMBER
			A3-SIZE	560020	1 OF 4



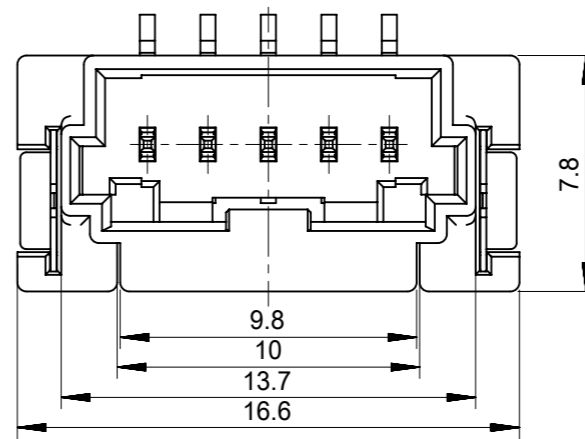
2CKTS



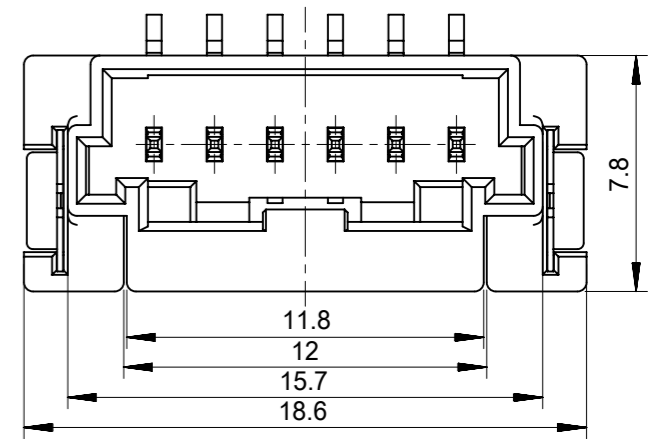
3CKTS



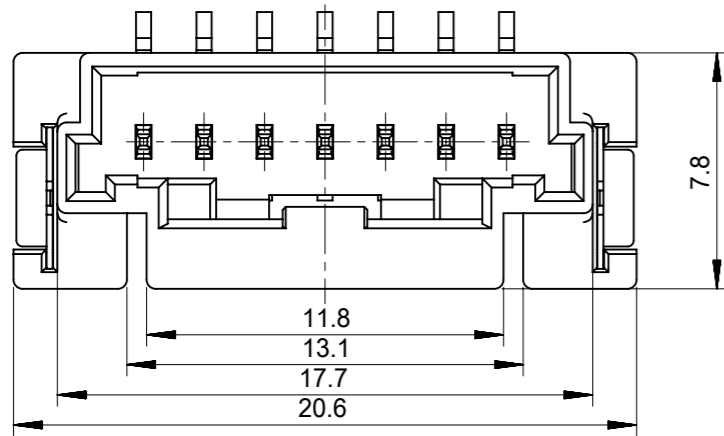
4CKTS



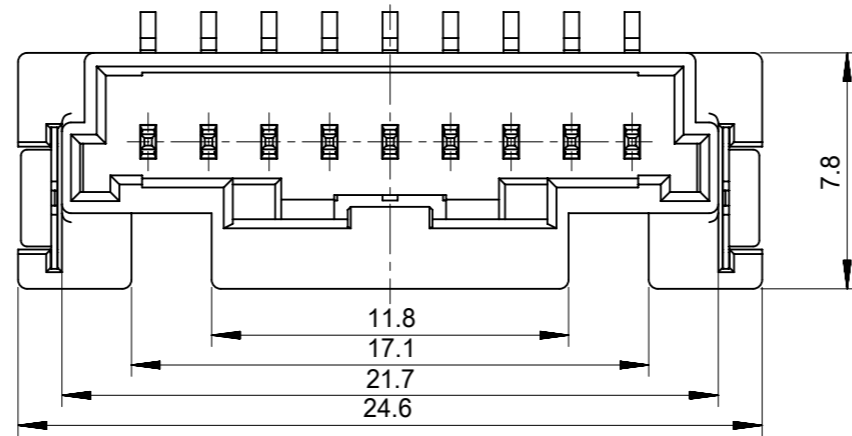
5CKTS



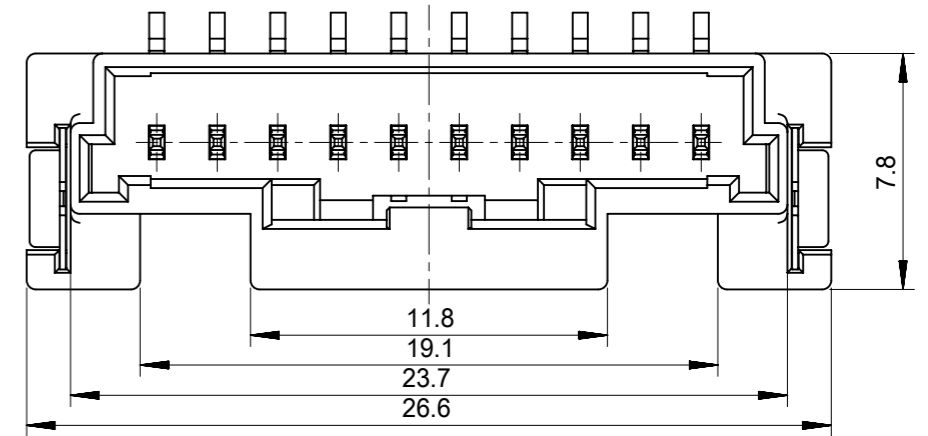
6CKTS



7CKTS



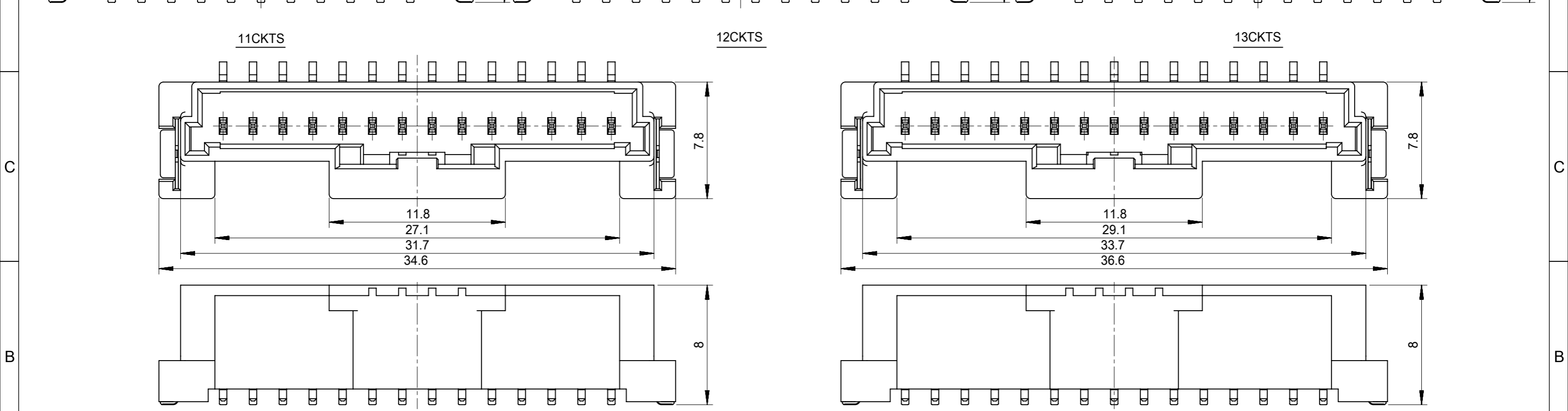
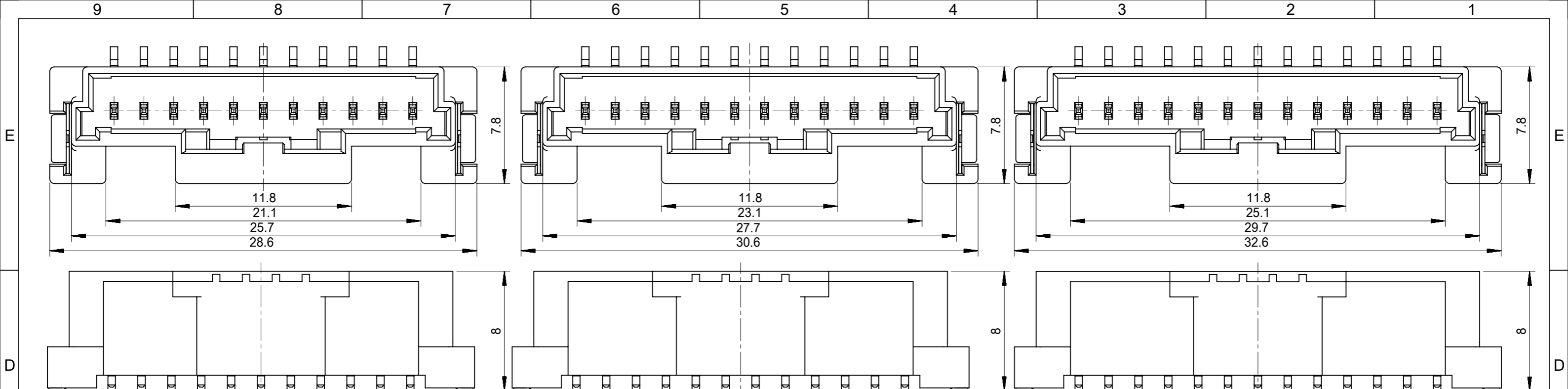
9CKTS



10CKTS

THIS DRAWING CONTAINS INFORMATION THAT IS PROPRIETARY TO MOLEX ELECTRONIC TECHNOLOGIES, LLC AND SHOULD NOT BE USED WITHOUT WRITTEN PERMISSION		CURRENT REV DESC:		molex	
DIMENSION UNITS	SCALE				
mm	4:1			2.0MM PITCH W/B CONN. WAFER ASSY ST. SMT	
GENERAL TOLERANCES (UNLESS SPECIFIED)		EC NO: 177053		PRODUCT CUSTOMER DRAWING	
ANGULAR TOL	± °	DRWN: RHORI	2018/05/21	DOCUMENT NUMBER	
4 PLACES	±	CHK'D: HKOMATSU	2018/05/23	SD-560020-001	
3 PLACES	±	APPR: TOSADA	2018/05/23	DOC TYPE	DOC PART
2 PLACES	±	INITIAL REVISION:		PSD	001
1 PLACE	±	DRWN: SHSHIBATA	2009/02/18	REVISION	H
0 PLACES	±	APPR: AKANESHIGE	2009/02/18	SHEET NUMBER	
DRAFT WHERE APPLICABLE MUST REMAIN WITHIN DIMENSIONS		THIRD ANGLE PROJECTION	DRAWING	SERIES	MATERIAL NUMBER
			A3-SIZE	560020	SEE CHART
					CUSTOMER
					GENERAL MARKET
					2 OF 4

INITIAL REVISION:		
DRWN	SHSHIBATA	2009/02/18
CHECK	HKOMATSU	2009/02/18
APPR	AKANESHIGE	2009/02/18



<u>11CKTS</u>		<u>12CKTS</u>		<u>13CKTS</u>	
<u>14CKTS</u>		<u>15CKTS</u>			

DIMENSION UNITS: mm SCALE: 4:1		CURRENT REV DESC: EC NO: 177053 DRWN: RHORI 2018/05/21 CHK'D: HKOMATSU 2018/05/23 APPR: TOSADA 2018/05/23			
GENERAL TOLERANCES (UNLESS SPECIFIED) ANGULAR TOL ± ° 4 PLACES ± 3 PLACES ± 2 PLACES ± 1 PLACE ± 0 PLACES ±		INITIAL REVISION: DRWN: SHSHIBATA 2009/02/18 CHECK: HKOMATSU 2009/02/18 APPR: AKANESHIGE 2009/02/18		2.0MM PITCH W/B CONN. WAFER ASSY ST. SMT	
		PRODUCT CUSTOMER DRAWING DOCUMENT NUMBER: SD-560020-001 DOC TYPE: PSD DOC PART: 001 REVISION: H			
DRAFT WHERE APPLICABLE MUST REMAIN WITHIN DIMENSIONS		THIRD ANGLE PROJECTION 		DRAWING: A3-SIZE SERIES: 560020 MATERIAL NUMBER: SEE CHART CUSTOMER: GENERAL MARKET SHEET NUMBER: 3 OF 4	

DOCUMENT STATUS	P1	RELEASE DATE	2018/05/23	09:22:51
-----------------	----	--------------	------------	----------

Sn NATURAL	11.8	29.1	33.7	36.6	560020-1520	15
	11.8	27.1	31.7	34.6	560020-1420	14
	11.8	25.1	29.7	32.6	560020-1320	13
	11.8	23.1	27.7	30.6	560020-1220	12
	11.8	21.1	25.7	28.6	560020-1120	11
	11.8	19.1	23.7	26.6	560020-1020	10
	11.8	17.1	21.7	24.6	560020-0920	9
	11.8	15.1	19.7	22.6	560020-0800/-0820	8
	11.8	13.1	17.7	20.6	560020-0700/-0720	7
	11.8	12	15.7	18.6	560020-0600/-0620	6
	9.8	10	13.7	16.6	560020-0500/-0520	5
	7.8	8	11.7	14.6	560020-0400/-0420	4
	5.8	6	9.7	12.6	560020-0300/-0320	3
	6.3	/	8.0	10.9	560020-0200/-0220	2
PLATING	D	C	B	A	EMBOSSED PACKAGE ORDER NO.	CKTS
CONNECTOR SERIES NO. 560020-**08						

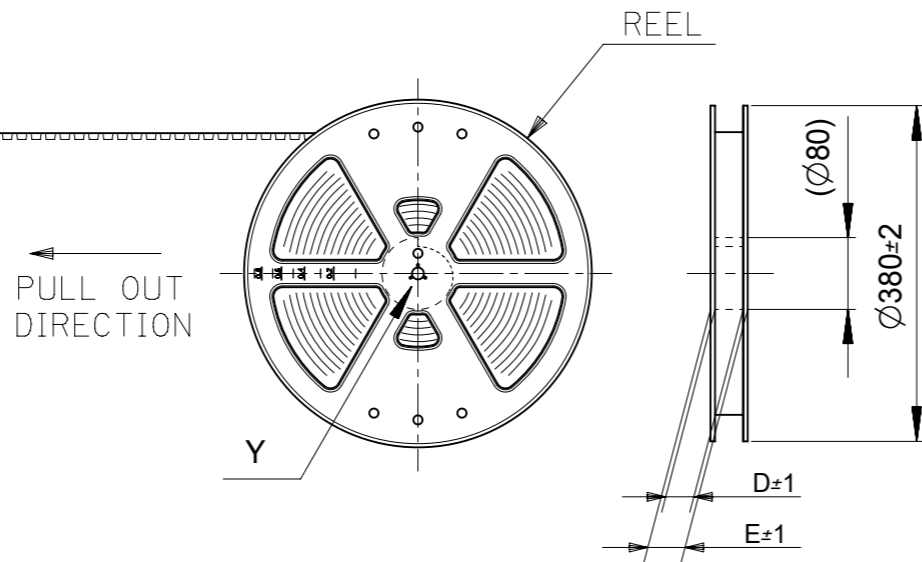
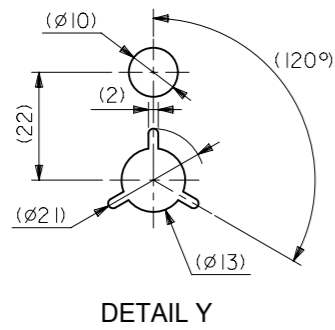
Au NATURAL	11.8	29.1	33.7	36.6	560020-1530	15
	11.8	27.1	31.7	34.6	560020-1430	14
	11.8	25.1	29.7	32.6	560020-1330	13
	11.8	23.1	27.7	30.6	560020-1230	12
	11.8	21.1	25.7	28.6	560020-1130	11
	11.8	19.1	23.7	26.6	560020-1030	10
	11.8	17.1	21.7	24.6	560020-0930	9
	11.8	15.1	19.7	22.6	560020-0830	8
	11.8	13.1	17.7	20.6	560020-0730	7
	11.8	12	15.7	18.6	560020-0630	6
	9.8	10	13.7	16.6	560020-0530	5
	7.8	8	11.7	14.6	560020-0430	4
	5.8	6	9.7	12.6	560020-0330	3
	6.3	/	8.0	10.9	560020-0230	2
PLATING	D	C	B	A	EMBOSSED PACKAGE ORDER NO.	CKTS
CONNECTOR SERIES NO. 560020-**18						

Sn BLACK	11.8	29.1	33.7	36.6	560020-1521	15
	11.8	27.1	31.7	34.6	560020-1421	14
	11.8	25.1	29.7	32.6	560020-1321	13
	11.8	23.1	27.7	30.6	560020-1221	12
	11.8	21.1	25.7	28.6	560020-1121	11
	11.8	19.1	23.7	26.6	560020-1021	10
	11.8	17.1	21.7	24.6	560020-0921	9
	11.8	15.1	19.7	22.6	560020-0821	8
	11.8	13.1	17.7	20.6	560020-0721	7
	11.8	12	15.7	18.6	560020-0621	6
	9.8	10	13.7	16.6	560020-0521	5
	7.8	8	11.7	14.6	560020-0421	4
	5.8	6	9.7	12.6	560020-0321	3
	6.3	/	8.0	10.9	560020-0221	2
PLATING	D	C	B	A	EMBOSSED PACKAGE ORDER NO.	CKTS
CONNECTOR SERIES NO. 560020-**28						

Sn RED	/	/	/	/	/	15
	/	/	/	/	/	14
	/	/	/	/	/	13
	/	/	/	/	/	12
	/	/	/	/	/	11
	/	/	/	/	/	10
	/	/	/	/	/	9
	11.8	15.1	19.7	22.6	560020-0822	8
	/	/	/	/	/	7
	11.8	12	15.7	18.6	560020-0622	6
	/	/	/	/	/	5
	7.8	8	11.7	14.6	560020-0422	4
	5.8	6	9.7	12.6	560020-0322	3
	6.3	/	8.0	10.9	560020-0222	2
PLATING	D	C	B	A	EMBOSSED PACKAGE ORDER NO.	CKTS
CONNECTOR SERIES NO. 560020-**48						

Sn BLUE	/	/	/	/	/	15
	/	/	/	/	/	14
	/	/	/	/	/	13
	/	/	/	/	/	12
	/	/	/	/	/	11
	/	/	/	/	/	10
	/	/	/	/	/	9
	11.8	15.1	19.7	22.6	560020-0823	8
	/	/	/	/	/	7
	11.8	12	15.7	18.6	560020-0623	6
	/	/	/	/	/	5
	7.8	8	11.7	14.6	560020-0423	4
	5.8	6	9.7	12.6	560020-0323	3
	6.3	/	8.0	10.9	560020-0223	2
PLATING	D	C	B	A	EMBOSSED PACKAGE ORDER NO.	CKTS
CONNECTOR SERIES NO. 560020-**68						

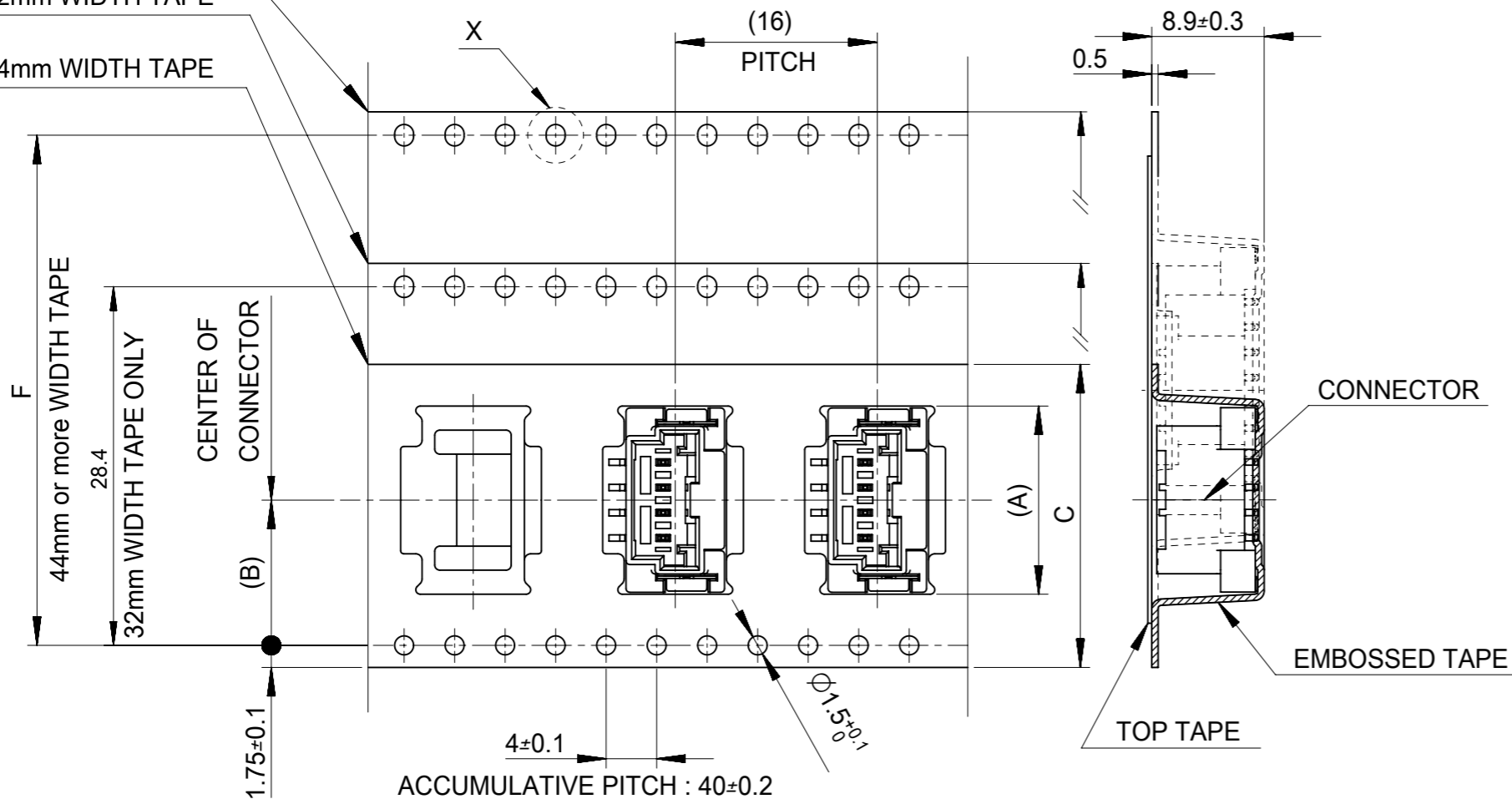
THIS DRAWING CONTAINS INFORMATION THAT IS PROPRIETARY TO MOLEX ELECTRONIC TECHNOLOGIES, LLC AND SHOULD NOT BE USED WITHOUT WRITTEN PERMISSION											
DIMENSION UNITS: mm		SCALE: 1:1		CURRENT REV DESC:				molex		2.0MM PITCH W/B CONN. WAFER ASSY ST. SMT	
GENERAL TOLERANCES (UNLESS SPECIFIED)				EC NO: 177053 DRWN: RHORI 2018/05/21 CHK'D: HKOMATSU 2018/05/23 APPR: TOSADA 2018/05/23							
ANGULAR TOL ± °				INITIAL REVISION:				PRODUCT CUSTOMER DRAWING			
4 PLACES ±				DRWN: SHSHIBATA 2009/02/18				DOCUMENT NUMBER		DOC TYPE DOC PART REVISION	
3 PLACES ±				APPR: AKANESHIGE 2009/02/18				SD-560020-001		PSD 001 H	
2 PLACES ±				DRAFT WHERE APPLICABLE MUST REMAIN WITHIN DIMENSIONS				MATERIAL NUMBER		CUSTOMER	
1 PLACE ±				THIRD ANGLE PROJECTION				SEE CHART		GENERAL MARKET	
0 PLACES ±				DRAWING: A3-SIZE				SERIES: 560020		SHEET NUMBER: 4 OF 4	
INITIAL REVISION: DRWN SHSHIBATA 2009/02/18 CHECK HKOMATSU 2009/02/18 APPR AKANESHIGE 2009/02/18											
DOCUMENT STATUS: P1 RELEASE DATE: 2018/05/23 09:22:51											



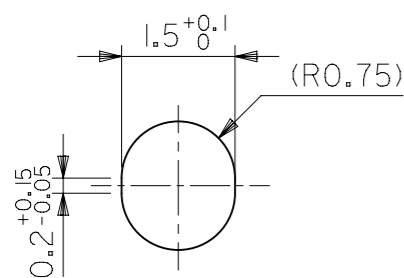
44mm or more
WIDTH TAPE

32mm WIDTH TAPE

24mm WIDTH TAPE



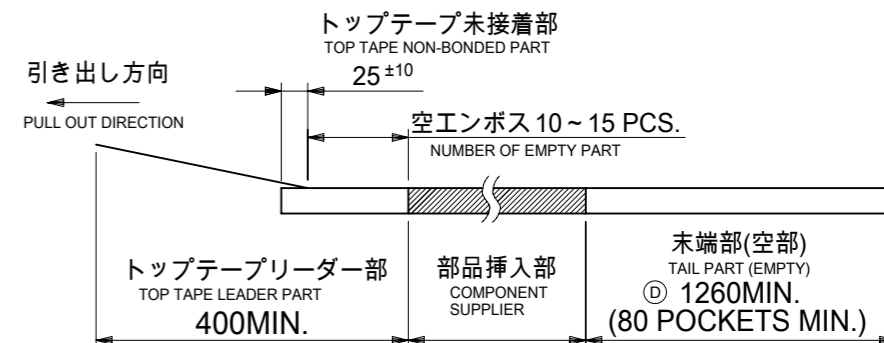
PULL OUT DIRECTION
DIRECTION OF CONNECTOR
IN EMBOSSED TAPE



DETAIL X
(SCALE 10:1)

NOTES

- 製品番号 :
 ナチュラル・錫めっき 560020-**20
 ナチュラル・金めっき 560020-**30
 黒・錫めっき 560020-**21
 赤・錫めっき 560020-**22
 青・錫めっき 560020-**23
 詳細寸法については、製品単体図面を参照ください。
 PART NO.
 NATURAL・Sn Plating 5600020-**20
 NATURAL・Au Plating 560020-**30
 BLACK・Sn Plating 5600020-**21
 RED・Sn Plating 5600020-**22
 BLUE・Sn Plating 5600020-**23
 SEE SALES DRAWING FOR CONNECTOR
- 梱包数量 : 650個/REEL
 NUMBER OF CONNECTORS 650 PCS/REEL
- リードテープ長さ
 LEAD TAPE LENGTH



- 材料
 MATERIAL
 キャリアテープ : ポリスチレン
 CARRIER TAPE: POLYSTYRENE
 トップテープ : PET, PE, PEF
 TOP TAPE
 リール : ポリスチレン
 REEL: POLYSTYRENE
- 一般公差
 GENERAL TOLERANCES
 10 UNDER: 0.2
 10 OVER 30 UNDER: 0.25
 30 OVER: 0.3
 ANGULAR: ±1°

THIS DRAWING CONTAINS INFORMATION THAT IS PROPRIETARY TO MOLEX ELECTRONIC TECHNOLOGIES, LLC AND SHOULD NOT BE USED WITHOUT WRITTEN PERMISSION		CURRENT REV DESC:		molex	
DIMENSION UNITS: mm		SCALE: NTS			
GENERAL TOLERANCES (UNLESS SPECIFIED)		EC NO: 177053		2.0MM PITCH W/B ST. WAFER ASSY EMBOSSED TAPE PACKAGE	
4 PLACES	±	DRWN: RHORI	2018/05/21	PRODUCT CUSTOMER DRAWING	
3 PLACES	±	CHK'D: HKOMATSU	2018/05/23	DOCUMENT NUMBER: SD-560020-003	
2 PLACES	±	APPR: TOSADA	2018/05/23	DOC TYPE: PSD	DOC PART: 001
1 PLACE	±	INITIAL REVISION:		REVISION: E	
0 PLACES	±	DRWN: YTAMAKI	2014/05/23	SHEET NUMBER: 1 OF 2	
ANGULAR TOL	± °	APPR: MAYAMAMOTO	2014/06/30	MATERIAL NUMBER: SEE CHART	
DRAFT WHERE APPLICABLE MUST REMAIN WITHIN DIMENSIONS		THIRD ANGLE PROJECTION	DRAWING: A3-SIZE	CUSTOMER: GENERAL MARKET	

Sn NATURAL	52.4	61.4	57.4	56	26.2	36.9	560020-1520	15
						34.9	560020-1420	14
						32.9	560020-1320	13
	40.4	49.4	45.4	44	20.2	30.9	560020-1220	12
						28.9	560020-1120	11
						26.9	560020-1020	10
						24.9	560020-0920	09
						22.9	560020-0820	08
						20.9	560020-0720	07
	28.4	37.4	33.4	32	14.2	18.9	560020-0620	06
						16.9	560020-0520	05
		29.4	25.4	24	11.5	14.9	560020-0420	04
	12.9					560020-0320	03	
	11.2					560020-0220	02	
PLATING	F	E	D	C	(B)	(A)	エンボス梱包品 製品番号 MATERIAL NO.	CIRCUITS

Au NATURAL	52.4	61.4	57.4	56	26.2	36.9	560020-1530	15
						34.9	560020-1430	14
						32.9	560020-1330	13
	40.4	49.4	45.4	44	20.2	30.9	560020-1230	12
						28.9	560020-1130	11
						26.9	560020-1030	10
						24.9	560020-0930	09
						22.9	560020-0830	08
						20.9	560020-0730	07
	28.4	37.4	33.4	32	14.2	18.9	560020-0630	06
						16.9	560020-0530	05
		29.4	25.4	24	11.5	14.9	560020-0430	04
	12.9					560020-0330	03	
	11.2					560020-0230	02	
PLATING	F	E	D	C	(B)	(A)	エンボス梱包品 製品番号 MATERIAL NO.	CIRCUITS

Sn BLACK	52.4	61.4	57.4	56	26.2	36.9	560020-1521	15
						34.9	560020-1421	14
						32.9	560020-1321	13
	40.4	49.4	45.4	44	20.2	30.9	560020-1221	12
						28.9	560020-1121	11
						26.9	560020-1021	10
						24.9	560020-0921	09
						22.9	560020-0821	08
						20.9	560020-0721	07
	28.4	37.4	33.4	32	14.2	18.9	560020-0621	06
						16.9	560020-0521	05
		29.4	25.4	24	11.5	14.9	560020-0421	04
	12.9					560020-0321	03	
	11.2					560020-0221	02	
PLATING	F	E	D	C	(B)	(A)	エンボス梱包品 製品番号 MATERIAL NO.	CIRCUITS

Sn RED	/	/	/	/	/	/	/	15
	/	/	/	/	/	/	/	14
	/	/	/	/	/	/	/	13
	40.4	49.4	45.4	44	20.2	/	/	12
						/	/	11
						/	/	10
						/	/	09
						/	/	08
						/	/	07
	28.4	37.4	33.4	32	14.2	18.9	560020-0622	06
						16.9	560020-0522	05
		29.4	25.4	24	11.5	14.9	560020-0422	04
	12.9					560020-0322	03	
	11.2					560020-0222	02	
PLATING	F	E	D	C	(B)	(A)	エンボス梱包品 製品番号 MATERIAL NO.	CIRCUITS

Sn BLUE	/	/	/	/	/	/	/	15
	/	/	/	/	/	/	/	14
	/	/	/	/	/	/	/	13
	40.4	49.4	45.4	44	20.2	/	/	12
						/	/	11
						/	/	10
						/	/	09
						/	/	08
						/	/	07
	28.4	37.4	33.4	32	14.2	18.9	560020-0623	06
						16.9	560020-0523	05
		29.4	25.4	24	11.5	14.9	560020-0423	04
	12.9					560020-0323	03	
	11.2					560020-0223	02	
PLATING	F	E	D	C	(B)	(A)	エンボス梱包品 製品番号 MATERIAL NO.	CIRCUITS

THIS DRAWING CONTAINS INFORMATION THAT IS PROPRIETARY TO MOLEX ELECTRONIC TECHNOLOGIES, LLC AND SHOULD NOT BE USED WITHOUT WRITTEN PERMISSION		CURRENT REV DESC:		molex	
DIMENSION UNITS	SCALE	EC NO: 177053			
mm	NTS	DRWN: RHORI 2018/05/21		2.0MM PITCH W/B ST. WAFER ASSY EMBOSSED TAPE PACKAGE	
GENERAL TOLERANCES (UNLESS SPECIFIED)		CHK'D: HKOMATSU 2018/05/23		PRODUCT CUSTOMER DRAWING	
4 PLACES ±		APPR: TOSADA 2018/05/23		DOCUMENT NUMBER	
3 PLACES ±		INITIAL REVISION:		SD-560020-003	
2 PLACES ±		DRWN: YTAMAKI 2014/05/23		DOC TYPE	
1 PLACE ±		APPR: MAYAMAMOTO 2014/06/30		PSD	
0 PLACES ±		SERIES		DOC PART	
ANGULAR TOL ± °		MATERIAL NUMBER		001	
DRAFT WHERE APPLICABLE MUST REMAIN WITHIN DIMENSIONS		THIRD ANGLE PROJECTION		REVISION	
		DRAWING		E	
		A3-SIZE		SHEET NUMBER	
		560020		2 OF 2	
		SEE CHART		GENERAL MARKET	