

MINIATURE SMD CHIP CHOKE COILS

闭磁路贴片电感

Shielded SMD Power Inductors

Operating Temp: -40°C ~ 125°C



特征:

- 低直流电阻。
- 适合大电流。
- 可利用的磁带和自动卷轴表面的设置。
- 适用于回流焊 SMT 工艺。

FEATURES:

- Low DC resistance.
- Suitable for large currents .
- Available on tape and reel for auto surface mounting.
- Suitable for reflow soldering.

用途:

- 广泛应用于升降压转换器、液晶显示、笔记本电脑、个人掌上记事本、MP3/MP4 播放器、数码相机、便携式光碟机等。

APPLICATIONS:

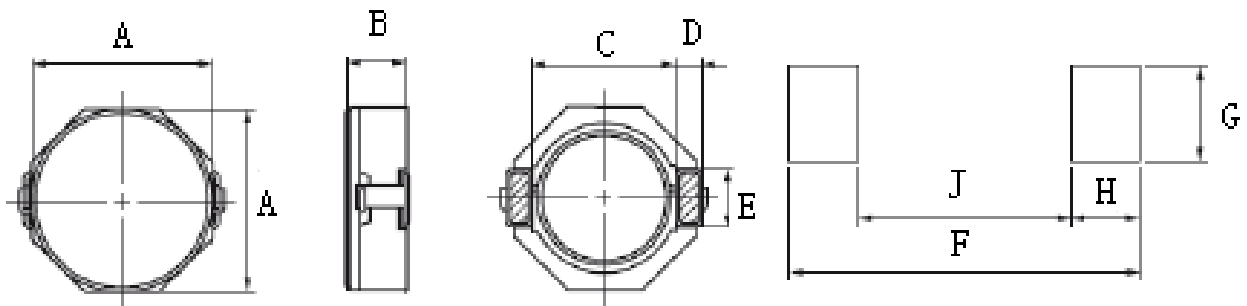
- Widely use in DC-DC converter /LCD TV/ Notebook/PDA/MP3-MP4player/Digital camera /Portable CDR-W etc.

产品型号:

PRODUCT IDENTIFICATION:

SMRH	8D43	100	N	T										
①	②	③	④	⑤										
<table border="1"> <tr><td colspan="2">类型 Type</td></tr> <tr><td>SMRH</td><td>闭磁路贴片电感 Shielded SMT Power Inductors</td></tr> </table>		类型 Type		SMRH	闭磁路贴片电感 Shielded SMT Power Inductors	<table border="1"> <tr><td colspan="2">外形尺寸(LxH) (mm) External Dimensions (LxWxH) (mm)</td></tr> <tr><td>8D43</td><td>8.3x8.3x4.5</td></tr> </table>		外形尺寸(LxH) (mm) External Dimensions (LxWxH) (mm)		8D43	8.3x8.3x4.5	<table border="1"> <tr><td>Inductance</td></tr> <tr><td>10 uH</td></tr> </table>	Inductance	10 uH
类型 Type														
SMRH	闭磁路贴片电感 Shielded SMT Power Inductors													
外形尺寸(LxH) (mm) External Dimensions (LxWxH) (mm)														
8D43	8.3x8.3x4.5													
Inductance														
10 uH														
<table border="1"> <tr><td colspan="2">Tolerance</td></tr> <tr><td>J:±5%,K: ±10%, L: ±15%</td></tr> <tr><td>M: ±20%,P: ±25%, N: ±30%</td></tr> </table>		Tolerance		J:±5%,K: ±10%, L: ±15%	M: ±20%,P: ±25%, N: ±30%	<table border="1"> <tr><td colspan="2">包装 Packing</td></tr> <tr><td>B</td><td>散装 Bulk Package</td></tr> <tr><td>T</td><td>编带 Tape & Reel</td></tr> </table>		包装 Packing		B	散装 Bulk Package	T	编带 Tape & Reel	
Tolerance														
J:±5%,K: ±10%, L: ±15%														
M: ±20%,P: ±25%, N: ±30%														
包装 Packing														
B	散装 Bulk Package													
T	编带 Tape & Reel													

Shape and Size(Dimension are in mm):



Part No	A (max)	B(max)	C(max)	D(max)	E(max)	F	G	H	J
SMRH 8D28	8.3	3.0	6.3	1.2	2.5	10.1	2.8	2.0	6.1
SMRH 8D38	8.3	4.0	6.3	1.2	2.5	10.1	2.8	2.0	6.1
SMRH 8D43	8.3	4.5	6.3	1.2	2.5	10.1	2.8	2.0	6.1
SMRH 8D58	8.3	6.0	6.3	1.2	2.5	10.1	2.8	2.0	6.1

MINIATURE SMD CHIP CHOKE COILS

SMRH8D28 Series

Part No.	Inductance (uH)			DCR (OHM) Max	Rated DC Current (Amp)Max
	Nominal Value	Tole.	Test Freq.		
SMRH8D28-2R5N	2.5	N	100KHz	0.0156	4.5
SMRH8D28-3R3N	3.3	N	100KHz	0.0182	4.0
SMRH8D28-4R7N	4.7	N	100KHz	0.0247	3.4
SMRH8D28-7R3N	7.3	N	100KHz	0.039	2.8
SMRH8D28-100N	10	N	100KHz	0.047	2.5
SMRH8D28-150N	15	N	100KHz	0.069	1.9
SMRH8D28-220N	22	N	100KHz	0.099	1.6
SMRH8D28-330N	33	N	100KHz	0.156	1.3
SMRH8D28-470N	47	N	100KHz	0.195	1.15
SMRH8D28-680N	68	N	100KHz	0.286	0.92
SMRH8D28-101N	100	N	100KHz	0.43	0.75

SMRH8D38 Series

Part No.	Inductance (uH)			DCR (OHM) Max	Rated DC Current (Amp)Max
	Nominal Value	Tole.	Test Freq.		
SMRH8D38-1R8N	1.8	N	100KHz	0.0156	6.2
SMRH8D38-2R5N	2.5	N	100KHz	0.0175	5.5
SMRH8D38-3R5N	3.5	N	100KHz	0.024	4.4
SMRH8D38-4R7N	4.7	N	100KHz	0.029	4.0
SMRH8D38-6R0N	6.0	N	100KHz	0.032	3.5
SMRH8D38-100N	10	N	100KHz	0.048	2.6
SMRH8D38-150N	15	N	100KHz	0.067	2.3
SMRH8D38-220N	22	N	100KHz	0.105	1.88
SMRH8D38-330N	33	N	100KHz	0.157	1.52
SMRH8D38-470N	47	N	100KHz	0.189	1.28
SMRH8D38-680N	68	N	100KHz	0.290	1.1
SMRH8D38-101N	100	N	100KHz	0.41	0.88

MINIATURE SMD CHIP CHOKE COILS

SMRH8D43Series

Part No.	Inductance (uH)			DCR (OHM) Max	Rated DC Current (Amp)Max
	Nominal Value	Tole.	Test Freq.		
SMRH8D43-2R0N	2.0	N	100KHz	0.014	5.5
SMRH8D43-3R9N	3.9	N	100KHz	0.019	4.5
SMRH8D43-4R7N	4.7	N	100KHz	0.022	4.1
SMRH8D43-6R8N	6.8	N	100KHz	0.025	3.9
SMRH8D43-100N	10	N	100KHz	0.036	3.2
SMRH8D43-150N	15	N	100KHz	0.053	2.3
SMRH8D43-220N	22	N	100KHz	0.075	1.8
SMRH8D43-330N	33	N	100KHz	0.125	1.4
SMRH8D43-470N	47	N	100KHz	0.15	1.3
SMRH8D43-680N	68	N	100KHz	0.24	1.0
SMRH8D43-101N	100	N	100KHz	0.36	0.8

SMRH8D58Series

Part No.	Inductance (uH)			DCR (OHM) Max	Rated DC Current (Amp)Max
	Nominal Value	Tole.	Test Freq.		
SMRH8D58-2R8N	2.8	N	100KHz	0.015	4.0
SMRH8D58-3R9N	3.9	N	100KHz	0.0163	3.5
SMRH8D58-5R0N	5.0	N	100KHz	0.0175	3.1
SMRH8D58-6R2N	6.2	N	100KHz	0.02	2.7
SMRH8D58-100N	10	N	100KHz	0.0256	2.2
SMRH8D58-150N	15	N	100KHz	0.0363	1.9
SMRH8D58-220N	22	N	100KHz	0.0453	1.4
SMRH8D58-330N	33	N	100KHz	0.0653	1.3
SMRH8D58-470N	47	N	100KHz	0.0905	1.0
SMRH8D58-680N	68	N	100KHz	0.13	0.9
SMRH8D58-101N	100	N	100KHz	0.175	0.7