

承認書

SPECIFICATION FOR APPROVAL

*客戶名稱 Customer name : 立創

*產品名稱 Product Description : ACA插座

*產品型號 Product part number : RT-C01-A

*客戶料號 Customer's material number :

*數量 Quantity : 100 PCS

*日期 Date : 2019-1-4

供應商負責人簽名		客戶負責人確認簽回	
製作人	莫麗琴	承認人	
審核	李跃鑫	審核	
批准	王瑞宝	批准	

皓宇(香港)有限公司
HAOYU (HONG KONG) LIMITED
六均电子五金有限公司
LEGION ELECTRONIC&HARDWARE CO., LTD
富力隆电子(深圳)有限公司
ROCKTEK ELECTRONICS (SHENZHEN) CO. LTD
东莞市石碣镇四村第一工業區
Sicun 1st Industrial park, Sicun,
Shijie Town, Dongguan

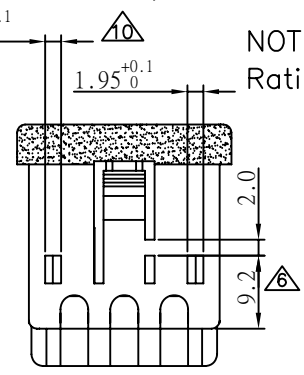
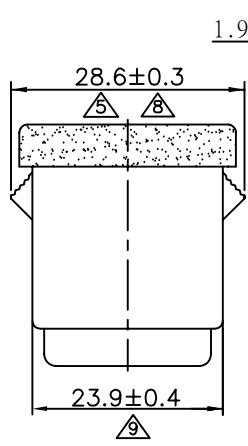
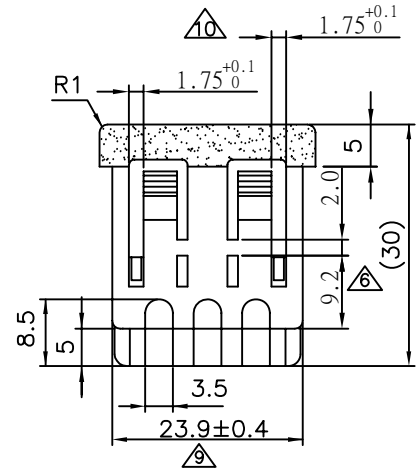
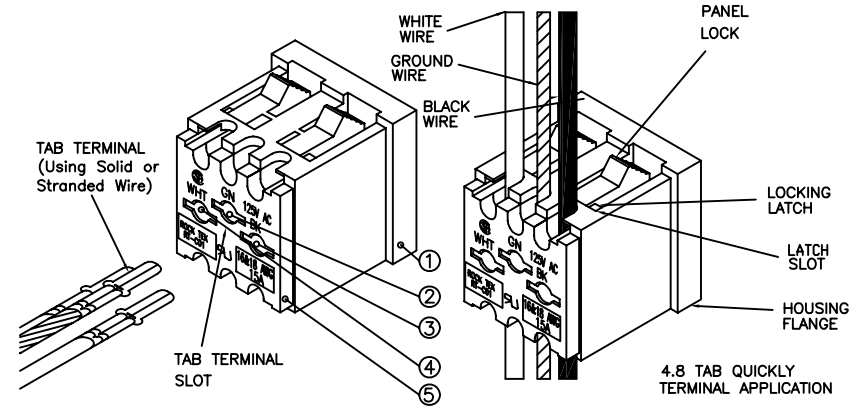
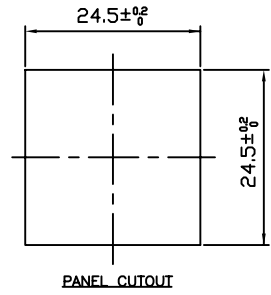
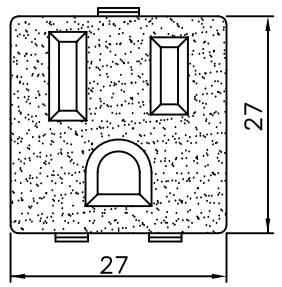
電話 : (86) 769-82310511-2
Tel No
傳真 : (86) 769-82310510
Fax No

郵箱 : haoyu8888@21cn.com
E-mail

核准 :
Approved

4 3 2 1

SINGLE SOCKET



NOTES:
Rating: 15A125VAC

THICKNESS(t)
1 0.8 ^{-0.1}
2 1.5 ^{-0.1}
3 1.8 ^{-0.1}
4 2.0 ^{-0.1}

④	RT-C01A-K	12&14 AWG	Black
②	RT-C01-A7	12&14 AWG	white
	RT-C01-A4	16&18 AWG	Milk white
③	RT-C01-A3	12&14 AWG	Milk white
①	RT-C01-A2	16&18 AWG	White
	RT-C01-A1	12&14 AWG	Black
	RT-C01-A	16&18 AWG	Black
	Part No.	Wire Type	Color

5	Cover back of the Body,NYLON Black Color	1
4	Contact PIN Brass Strip t=0.4mm Ni-Plated	1
3	Contact PIN Brass Strip t=0.4mm Cu-Plated	1
2	Contact PIN Brass Strip t=0.4mm Cu-Plated	1
1	Body Insulator NYLON Black Color	1

NO	DESCRIPTION	NO	DESCRIPTION	ANGLES	±0.5°	APPROVED	CHECKED	DESIGN	DRAWN	ALL SIZE ARE IN	MM	DRAWING NO.	REV.
⑤	29.4 → 29±0.3	⑩	增加尺寸标注	DIMENSIONAL TOLERANCES						SCALE	FIT		
④	增加料號	⑨	24±0.3 → 23.9±0.4	RANGE	TOLERANCE					MAT'L	*****		
③	16&18 AWG → 12&14 AWG	⑧	29±0.3 → 28.6±0.3	X	±0.3				Yale	MATERIAL NO.		WIF106004	E
②	增加顏色	⑦	增加建议板厚尺寸	X.X	±0.2								
①	增加顏色	⑥	增加加强筋	X.XX	±0.1								
ROCK TEK ELECTRONICS(SHENZHEN) CO.,LTD.										RT-C01-A*			

4 3 2 1

ROCK TEK ELECTRONICS(SHENZHEN)CO., LTD.

富 力 隆 電 子 (深 圳) 有 限 公 司

Specification Of RT-C01-A Single Socket

page:1/2

1.Scope

This specification covers the requirements for RT-C01 Single Socket.

2.Outline and dimensions

Outline and dimensions of the socket is shown on the following drawing.

3.Rating

15A125V AC for UL,CUL.

4.Approval

UL ,CUL

5.Use condition

This socket should be used from -20°C~60°C.

6.Hold condition

This socket should be holded from -20°C~65°C.

7.Standard

UL 498

8.Electrical

8.1. Dielectric strength

The socket should withstand a potential of direct current 1500V/minute.

8.2. Insulation resistance

Insulation resistance between pins should not be less than 1000MΩ.

It is measured with 500V DC.

富 力 隆 電 子 (深 圳) 有 限 公 司

Specification Of RT-C01 Single Socket

page:2/2

8.3. Contact resistance

Contact resistance should not exceed 30mΩ.

8.4. Temperature test

The socket should be test using 15A and the temperature of less than 30°C

9. Construction

9.1. Heat test

The socket should be putted in a hot chamber at temperature of 100°C±5°C/hour. The

Socket should have the capability to satisfy the performance the paragraphs 8.1. , 8.2. , 8.3. ,

And the socket should show no evidence of cracking. crazing and deformation.

9.2. Retention test

The socket should not be 2 plugs pulled free with 1.36kg/minute.



The socket should be all plugs pulled free with 6.8kg.

9.3. Material

The socket should be used NYLON PA66.

10. Packing

100PCS/BAG. 1000PCS/CTN.

APPROVED	CHECK	DESCRIPTION
		Yale



RTRT2.E251407
Receptacles for Plugs and Attachment Plugs - Component

[Page Bottom](#)

Receptacles for Plugs and Attachment Plugs - Component

[See General Information for Receptacles for Plugs and Attachment Plugs - Component](#)

LEGION ELECTRONIC CO LTD

E251407

Room M

4Th Fl, Continental Mansion

300 King's Rd

Hong Kong, HONG KONG

Appliance outlets, Model RT-C03.

Models RT-C04-2P, RT-C04-3P, RT-C04-4P.

Model RT-C05B.

Single receptacles, Model RT-C01.

Model RT-C01-A.

Marking: Company name and model designation on device or carton.

Last Updated on 2015-12-04

[Questions?](#)

[Print this page](#)

[Terms of Use](#)

[Page Top](#)

◆ 2016 UL LLC

The appearance of a company's name or product in this database does not in itself assure that products so identified have been manufactured under UL's Follow-Up Service. Only those products bearing the UL Mark should be considered to be Certified and covered under UL's Follow-Up Service. Always look for the Mark on the product.

UL permits the reproduction of the material contained in the Online Certification Directory subject to the following conditions: 1. The Guide Information, Assemblies, Constructions, Designs, Systems, and/or Certifications (files) must be presented in their entirety and in a non-misleading manner, without any manipulation of the data (or drawings). 2. The statement "Reprinted from the Online Certifications Directory with permission from UL" must appear adjacent to the extracted material. In addition, the reprinted material must include a copyright notice in the following format: "© 2016 UL LLC".



RTRT8.E251407 Receptacles for Plugs and Attachment Plugs Certified for Canada - Component

[Page Bottom](#)

Receptacles for Plugs and Attachment Plugs Certified for Canada - Component

[See General Information for Receptacles for Plugs and Attachment Plugs Certified for Canada - Component](#)

LEGION ELECTRONIC CO LTD

E251407

Room M
4Th Fl, Continental Mansion
300 King's Rd
Hong Kong, HONG KONG

Appliance outlets, Model RT-C03.

Models RT-C04-2P, RT-C04-3P, RT-C04-4P.

Model RT-C05B.

Single receptacles, Model RT-C01.

Model RT-C01-A.

Marking: Company name and model designation and Recognized Component Mark for Canada  on device or carton.

[Last Updated on 2015-12-04](#)

[Questions?](#)

[Print this page](#)

[Terms of Use](#)

[Page Top](#)

◆ 2016 UL LLC

The appearance of a company's name or product in this database does not in itself assure that products so identified have been manufactured under UL's Follow-Up Service. Only those products bearing the UL Mark should be considered to be Certified and covered under UL's Follow-Up Service. Always look for the Mark on the product.

UL permits the reproduction of the material contained in the Online Certification Directory subject to the following conditions: 1. The Guide Information, Assemblies, Constructions, Designs, Systems, and/or Certifications (files) must be presented in their entirety and in a non-misleading manner, without any manipulation of the data (or drawings). 2. The statement "Reprinted from the Online Certifications Directory with permission from UL" must appear adjacent to the extracted material. In addition, the reprinted material must include a copyright notice in the following format: "© 2016 UL LLC".