

承 認 書

SPECIFICATION FOR APPROVAL

*客戶名稱 Customer name	: 立創
*產品名稱 Product Description	: AC插座
*產品型號 Product part number	: RT-C14A-A
*客戶料號 Customer's material number	:
*數量 Quantity	: 100 PCS
*日期 Date	: 2019-1-4

供應商負責人簽名		客戶負責人確認簽回	
製作人	莫麗琴	承認人	
審核	李跃鑫	審核	
批准	王瑞宝	批准	

皓宇(香港)有限公司
HAOYU (HONG KONG) LIMITED
六均电子五金有限公司
LEGION ELECTRONIC&HARDWARE CO., LTD
富力隆电子(深圳)有限公司
ROCKTEK ELECTRONICS (SHENZHEN) CO. LTD
東莞市石碣鎮四村第一工業區
Sicun 1st Industrial park, Sicun,
Shijie Town, Dongguan

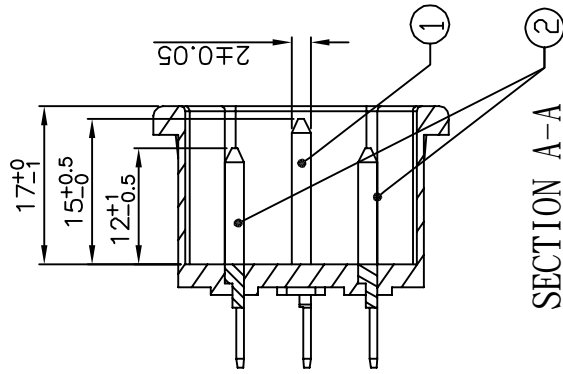
電話 : (86) 769-82310511-2
Tel No

傳真 : (86) 769-82310510
Fax No

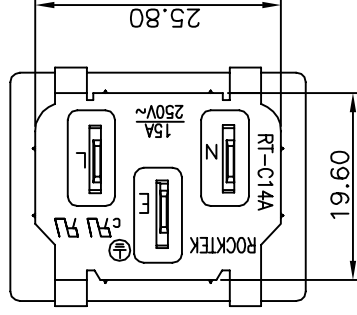
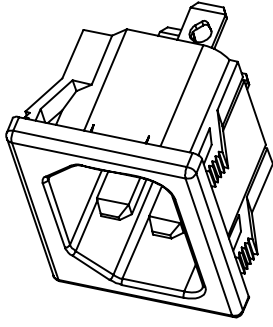
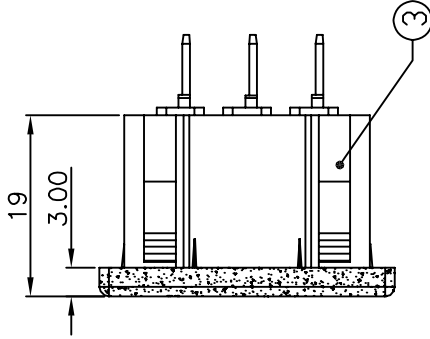
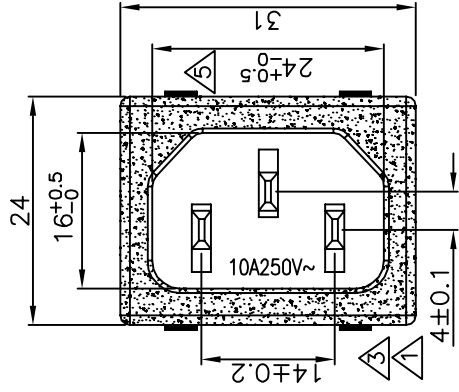
郵箱 : haoyu888@21cn.com
E - mail

核 准 :
Approved

4



SECTION A-A



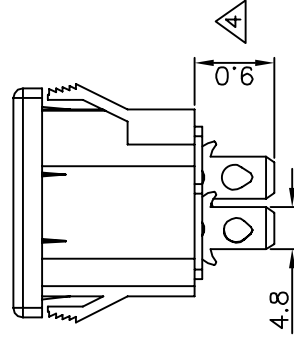
Notes:

1. Rating: 10A/250VAC
15A/250VAC

2. INSULATION RESISTANCE: OVER 100MΩ 500VDC.

3. DIELECTRIC STRENGTH: 3000VAC 1MINUTE

4. Approvals:
UL, CUL, VDE



3	BODY	NY66 94-V2 Black	1
2	PIN 2#	Contact Pin Brass Strip t=2mm Tin-plating 3~5μm	2
1	PIN 1#	Contact Pin Brass Strip t=2mm Tin-plating 3~5μm	1
NO. PART NAME		MATERIAL	Q'TY

NO	DESCRIPTION	DIMENSIONAL TOLERANCES		APPROVED	DESIGN	DRAWN	ALL SIZE ARE IN		
		RANGE	TOLERANCE				MM	SCALE	NO
5	取消VDE安規	→							
4	8.40 → 9.0	→	±0.4			LTB			
3	取消北歐四國及3C安規	→	±0.3						
2	新增注釋	→	±0.2						
1	增加中國認證標誌	→	±1°						
NO	DESCRIPTION	NO	ANGLES						

ROCK TEK ELECTRONIC(SHENZHEN) CO.,LTD.

RT-C14A-A1

MATERIAL NO. ***

DRAWING NO. REV.

WIF106005 C2

4

3

2

1

1.Scope

This specification covers the requirements for RT-C14 Receptacles

2.Outline and dimensions

Outline and dimensions of the Receptacles is shown on the following drawing.

3.Rating

15A250V AC

10A250V AC

5.Use condition

This Receptacles should be used from $-10^{\circ}\text{C}\sim 65^{\circ}\text{C}$.

6.Hold condition

This Receptacles should be holded from $-10^{\circ}\text{C}\sim 65^{\circ}\text{C}$.

7.Standard

UL 498 IEC320 CSA22.2.42M

7.Electrical

7.1. Dielectric strength

The Receptacles should withstand a potential of direct current 2000V/minute.

7.2. Insulation resistance

Insulation resistance between pins should not be less than $1000\text{M}\Omega$.

It is measured with 500V DC.

7.3. Contact resistance

Contact resistance should not exceed $30\text{m}\Omega$.

Specification Of RT-C14 Receptacles

8.Construction

8.1. Heat test

The Receptacles should be putted in a hot chamber at temperature of $100^{\circ}\text{C}\pm 5^{\circ}\text{C}/\text{hour}$.

The Receptacles should have the capability to satisfy the performance the paragraphs 7.1. , 7.2. , 7.3. , And the Receptacles should show no evidence of cracking. Crazing and deformation.

8.2.Terminal Strength

Use a static force of 5kg(max) in one direction on the tip terminal for 1 minute.

The terminal may be deformed, but should not sustain any trouble as deviation and breaking of terminal and breaking of insulation.

9.Soldering

The terminals shall be well soldered of dipped place of immersed place in the solder.

Dipped in molten solder of $260^{\circ}\pm 5^{\circ}\text{C}$ and the dwell time in solder is 3~5 seconds and

More than 75% of the dipped past shall be covered by solder.

10. Material

The socket body should be used NYLON 94-V2.

11.Packing

100PCS/BAG. 1000PCS/CTN.

APPROVED	CHECK	DESCRIPTION
		Yale



AXUT2.E300176 Attachment Plugs, Fuseless - Component

[Page Bottom](#)

Attachment Plugs, Fuseless - Component

[See General Information for Attachment Plugs, Fuseless - Component](#)

ROCK TEK ELECTRONICS INDUSTRY CORP

E300176

98 GUANGUANG RD

BAO'AN DISTRICT, GUANLAN TOWN

SHENZHEN, GUANGDONG 518110 CHINA

Appliance inlets Model(s) RT-C05A, RT-C06, RT-C08, RT-C14, RT-C14A

Marking: Company name and model designation.

[Last Updated](#) on 2016-07-20

[Questions?](#)

[Print this page](#)

[Terms of Use](#)

[Page Top](#)

◆ 2016 UL LLC

The appearance of a company's name or product in this database does not in itself assure that products so identified have been manufactured under UL's Follow-Up Service. Only those products bearing the UL Mark should be considered to be Certified and covered under UL's Follow-Up Service. Always look for the Mark on the product.

UL permits the reproduction of the material contained in the Online Certification Directory subject to the following conditions: 1. The Guide Information, Assemblies, Constructions, Designs, Systems, and/or Certifications (files) must be presented in their entirety and in a non-misleading manner, without any manipulation of the data (or drawings). 2. The statement "Reprinted from the Online Certifications Directory with permission from UL" must appear adjacent to the extracted material. In addition, the reprinted material must include a copyright notice in the following format: "© 2016 UL LLC".



AXUT8.E300176 Attachment Plugs, Fuseless Certified for Canada - Component

[Page Bottom](#)

Attachment Plugs, Fuseless Certified for Canada - Component

[See General Information for Attachment Plugs, Fuseless Certified for Canada - Component](#)

ROCK TEK ELECTRONICS INDUSTRY CORP

E300176

98 GUANGUANG RD

BAO'AN DISTRICT, GUANLAN TOWN

SHENZHEN, GUANGDONG 518110 CHINA

Appliance inlets Model(s) RT-C05A, RT-C06, RT-C08, RT-C14, RT-C14A



Marking: Company name, model designation and the Recognized Component Mark for Canada,

[Last Updated](#) on 2016-07-20

[Questions?](#)

[Print this page](#)

[Terms of Use](#)

[Page Top](#)

◆ 2016 UL LLC

The appearance of a company's name or product in this database does not in itself assure that products so identified have been manufactured under UL's Follow-Up Service. Only those products bearing the UL Mark should be considered to be Certified and covered under UL's Follow-Up Service. Always look for the Mark on the product.

UL permits the reproduction of the material contained in the Online Certification Directory subject to the following conditions: 1. The Guide Information, Assemblies, Constructions, Designs, Systems, and/or Certifications (files) must be presented in their entirety and in a non-misleading manner, without any manipulation of the data (or drawings). 2. The statement "Reprinted from the Online Certifications Directory with permission from UL" must appear adjacent to the extracted material. In addition, the reprinted material must include a copyright notice in the following format: "© 2016 UL LLC".