



12mm Size Insulated Shaft Type EC12 Series

Standard Type

Actuator length	8.5mm (Hollow shaft)
-----------------	----------------------

Torque	Lightest (jog) 3±2mN·m
--------	---------------------------

Number of detent	12
------------------	----

Number of pulse	12
-----------------	----

Operating direction	Vertical
---------------------	----------

Operating temperature range	-10°C to +70°C
-----------------------------	----------------

Electrical performance	Ratings	0.5mA 5V DC
------------------------	---------	-------------

Output signal	Two phase A and B
---------------	-------------------

Max./min. operating current(Resistive load)	5mA/0.5mA
---	-----------

Insulation resistance	10MΩ min. 50V DC
-----------------------	------------------

Voltage proof	50V AC for 1 minute
---------------	---------------------

Mechanical performance	Detent torque	3±2mN·m
------------------------	---------------	---------

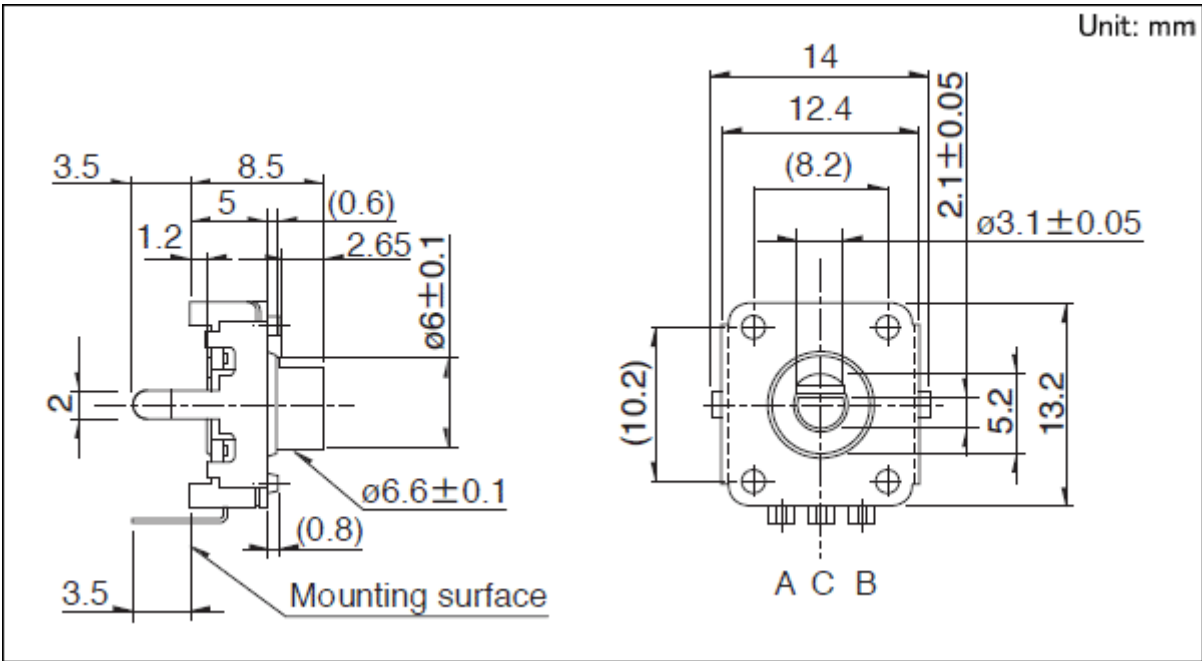
Push-pull strength	80N
--------------------	-----

Durability	Operating life	30,000 cycles
------------	----------------	---------------

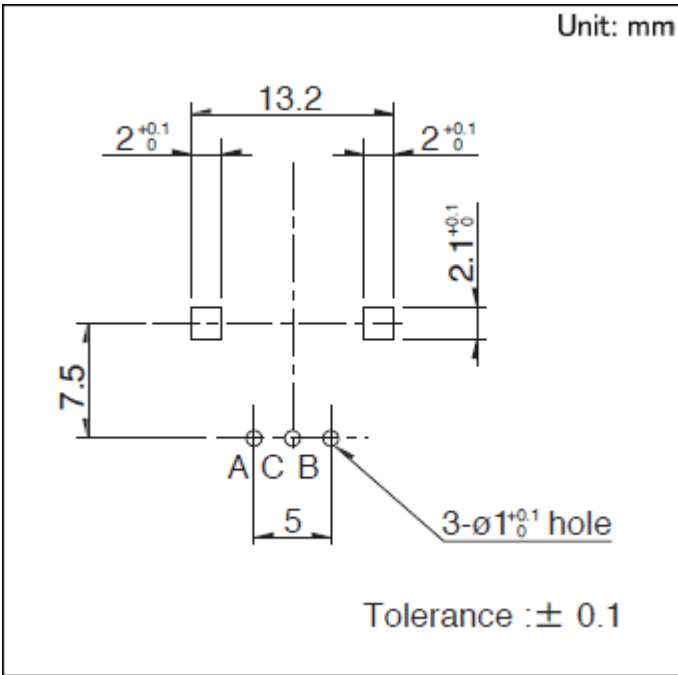
Minimum order unit (pcs.)	Japan	3,000
---------------------------	-------	-------

Export	3,000
--------	-------

Dimensions

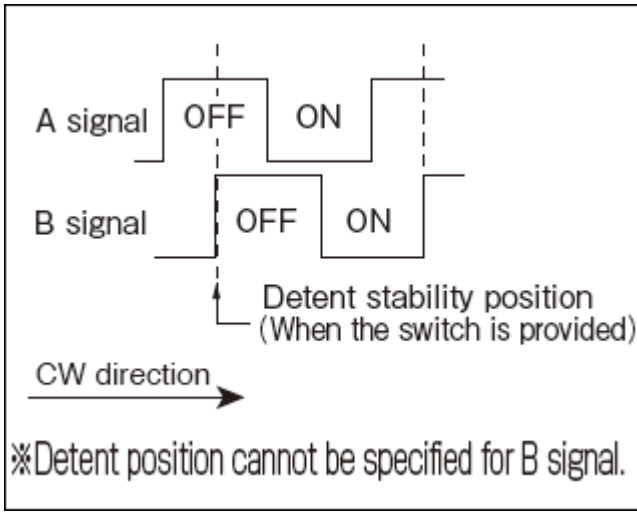


Mounting Hole Dimensions

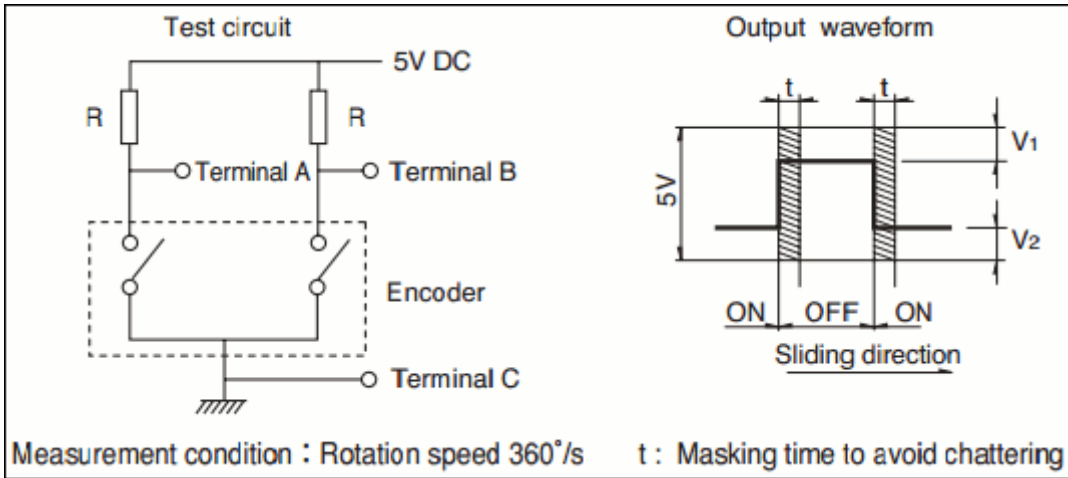


Viewed from mounting face.

Output Wave



Sliding Noise



V1 = V2 = 1.5V max.

At R=10kΩ Chattering: 3ms max. Bounce: 2ms max.

Packing Specifications

Tray

Number of packages 1 case / Japan 3,000
(pcs.)

1 case / export packing 3,000

Export package measurements (mm) 525×369×204

Soldering Conditions

Reference for Dip Soldering

Preheating Soldering surfacetemperature 100°C max.

Heating time 1 min. max.

Dip soldering Soldering temperature 260±5°C

Soldering time 3±1s

No. of solders	2 time max.
----------------	-------------

Reference for Hand Soldering

Tip temperature	350°C max.
-----------------	------------

Soldering time	3s max.
----------------	---------

No. of solders	1 time
----------------	--------

Notes are common to this series/models.

1. This site catalog shows only outline specifications. When using the products, please obtain formal specifications for supply.
2. Please place purchase orders per minimum order unit (integer).
3. Products other than those listed in the above chart are also available. Please contact us for details.
4. Nuts and washers are not included. If required, please contact us.
5. This products can be used in vehicles. (EC12D only)

Although these products are designed to perform over a wide operating temperature range, please ensure that you receive and read the formal delivery specifications before use.