

THIS DRAWING IS UNPUBLISHED. RELEASED FOR PUBLICATION  
 ALL RIGHTS RESERVED.

LOC	DIST	REVISIONS			
P	LTR	DESCRIPTION	DATE	DWN	APVD
	E	REMOVED RIB ON BASE TO CASE ECO-15-011310	18-Dec-15	YS.HHL	C
	E1	NEW ADD PN ECO-17-004477	23-Jan-18	WQ.Y	K.T

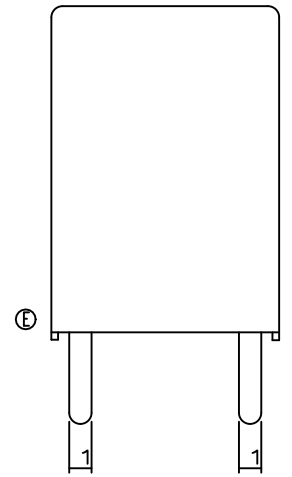
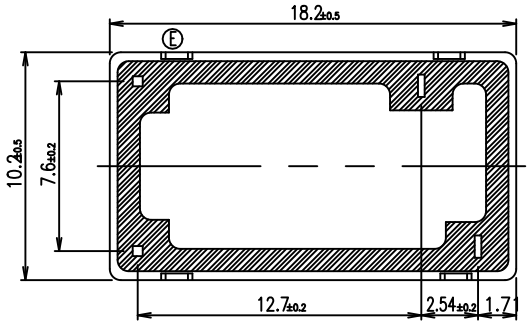
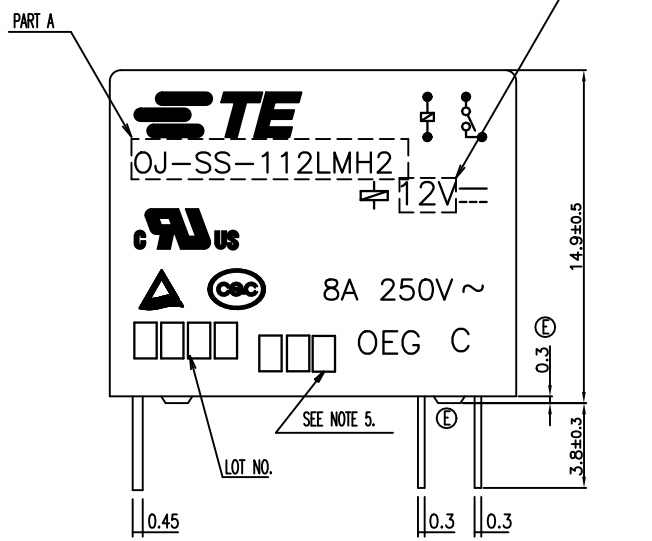
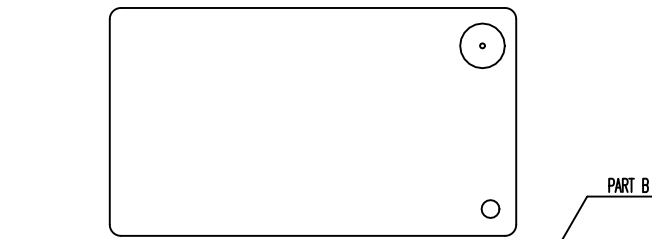
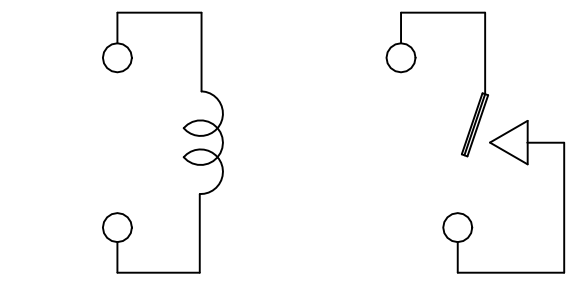


Diagram dimension	Tolerance
0.99mm max.	±0.1mm
1 - 2.99mm	±0.2mm
3mm min.	±0.3mm



CONNECTION FIGURE

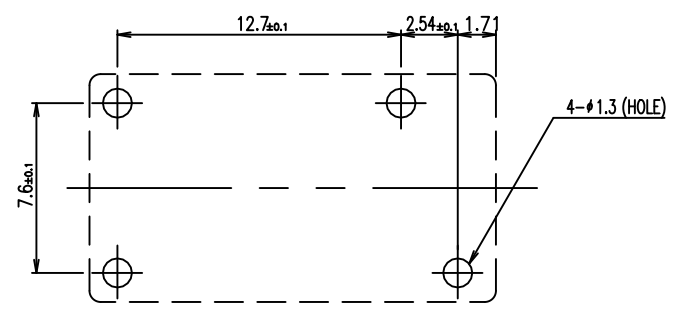


FIGURE FOR PRINTED CIRCUIT BOARD PROCESSING (BOTTOM VIEW)

THIS DRAWING IS A CONTROLLED DOCUMENT.		DWN	Hu.XieLi	TE Connectivity	
		CHK	Mak.Simon		
		APVD	Mingjung.Ho	NAME	
		PRODUCT SPEC		OJ-LMH2 SPEC CUSTOMER DRAWING	
		APPLICATION SPEC			
		WEIGHT		SIZE	CAGE CODE
				A3	00779
				DRAWING NO	RESTRICTED TO
				1721260	
		CUSTOMER DRAWING		SCALE	SHEET
				5:1	1 OF 2
				REV	E1

THIS DRAWING IS UNPUBLISHED. RELEASED FOR PUBLICATION - . - .  
 © COPYRIGHT - By - ALL RIGHTS RESERVED.

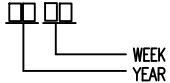
LOC	DIST	REVISIONS					
HB	-	P	LTR	DESCRIPTION	DATE	DWN	APVD
		-	-	SEE SHEET 1	-	-	-

PACKAGE SPEC	TE PART NO	PART A	PART B	DESCRIPTION	TYPE
107-84030	1-1721260-4	OJ-SS-105LMH2	5V	OJ-SS-105LMH2	0 (E)
	1-1721260-3	OJ-SS-112LMH2	12V	OJ-SS-112LMH2	n (E)
	1-1721261-3	OJ-SH-112LMH2	12V	OJ-SH-112LMH2	m (E)
107-79010	1-1721260-2	OJ-SH-124LMH2	24V	OJ-SH-124LMH2	l
	1-1721260-1	OJ-SH-112LMH2	12V	OJ-SH-112LMH2	k
	1-1721260-0	OJ-SH-109LMH2	9V	OJ-SH-109LMH2	j
	1721260-9	OJ-SH-106LMH2	6V	OJ-SH-106LMH2	i
	1721260-8	OJ-SH-105LMH2	5V	OJ-SH-105LMH2	h
	1721260-7	OJ-SH-103LMH2	3V	OJ-SH-103LMH2	g
	1721260-6	OJ-SS-124LMH2	24V	OJ-SS-124LMH2	f
	1721260-5	OJ-SS-112LMH2	12V	OJ-SS-112LMH2	e
	1721260-4	OJ-SS-109LMH2	9V	OJ-SS-109LMH2	d
	1721260-3	OJ-SS-106LMH2	6V	OJ-SS-106LMH2	c
	1721260-2	OJ-SS-105LMH2	5V	OJ-SS-105LMH2	b
	1721260-1	OJ-SS-103LMH2	3V	OJ-SS-103LMH2	a

RELAY TYPE

NOTES:

- 1.TERMINAL DIMENSION BEFORE TINNING.
- 2.LOT NO. SYSTEM AS FOLLOWING:



- 2.TERMINAL DIMENSION IS BEFORE SOLDER DIP;
- 3.FOR THE TIN-PLATING OF THE PINS:  
+0.1mm FOR WIDTH, THICKNESS AND DIAMETER.  
+0.5mm FOR LENGTH.
- 4.MARKING FROM INK TO LASER AND USING WELDED CONTACT

5.ADD LOT NO. SYSTEM AS FOLLOWING;



- I, DIGITS FOR DAY OF THE WEEK  
1...MONDAY IN THIS WEEK;  
2...TUESDAY IN THIS WEEK;  
.....  
7...SUNDAY IN THIS WEEK
- II, DIGITS FOR SHIFT OF THE DAY  
1...DAY SHIFT IN THIS DAY;  
2...NIGHT SHIFT IN THIS DAY;
- III, ONE CHARACTER DISTINGUISH THE LINE IDENTITY, SUCH AS: A,B,....Z

INCOMBUSTIBILITY	TREATMENT	MATERIAL	DESCRIPTION	ITEM
		EPOXY RESIN	SEAL (BASE & BOBBIN)	15
		3UEW	MAGNETIC WIRE	14
UL94V-0		P.B.T	CASE	13
UL94V-0		P.B.T	BASE	12
UL94V-0		P.B.T	BOBBIN	11
	SOLDER DIP	C.P. WIRE	COIL TERMINAL	10
UL94V-0		P.P.S	CARD	9
		AgSnOinO	MOVABLE CONTACT	8
		AgSnOinO	NO.CONTACT	7
		STEEL	HINGE SPRING	6
	SOLDER DIP	Cu ALLOY	NO.TERMINAL	5
	SOLDER DIP	Cu ALLOY	MOVABLE SPRING	4
	NIP	STEEL	CORE	3
	NIP	STEEL	ARMATURE	2
	NIP	STEEL	YOKE	1

THIS DRAWING IS A CONTROLLED DOCUMENT.		DWN	Hu.XieLi	-
		CHK	Mak.Simon	-
		APVD	Mingjung.Ho	-
		PRODUCT SPEC	-	-
		APPLICATION SPEC	-	-
		WEIGHT	-	-
CUSTOMER DRAWING		SCALE	5:1	SHEET 2 of 2
		REV	E1	

DIMENSIONS: mm		TOLERANCES UNLESS OTHERWISE SPECIFIED:	
		0 PLC	± -
		1 PLC	± -
		2 PLC	± -
		3 PLC	± -
		4 PLC	± -
MATERIAL		FINISH	
-		-	

TE Connectivity	
OJ-LMH2 SPEC CUSTOMER DRAWING	
SIZE	CAGE CODE
A3	00779
DRAWING NO	
1721260	
RESTRICTED TO	
-	