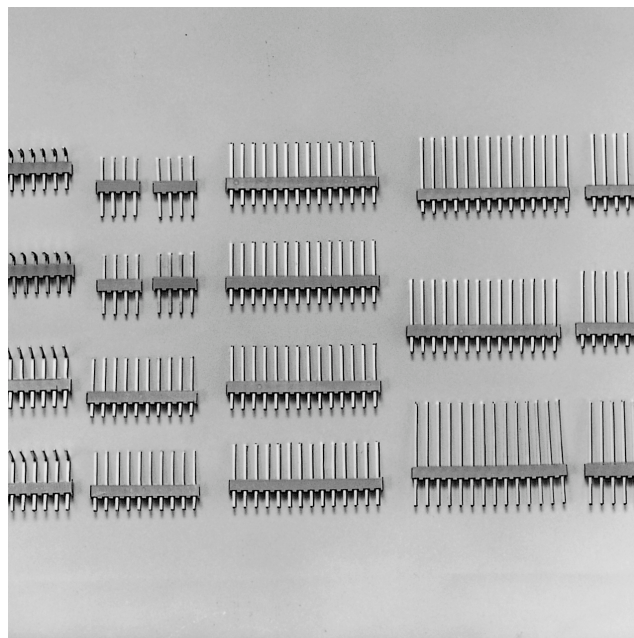
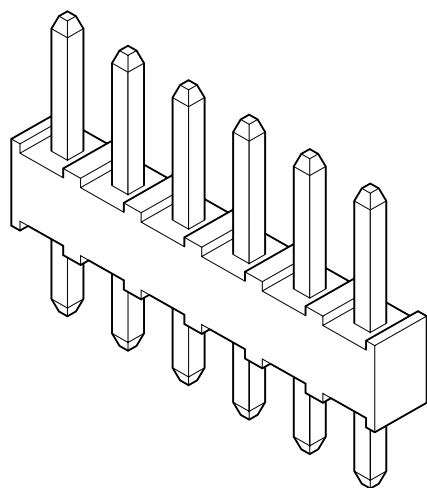


2.54SB HEADER

Headers



The 2.54mm pitch SB headers can be used to directly interconnected printed circuit boards. They come in both straight and right angle models. 2.5mm pitch SB headers are also available. In addition, 2.0mm pitch BC headers are available.



Specifications

- Current rating: 3A AC, DC
- Voltage rating: 250V AC, DC
- Temperature range: -25°C to +85°C
(including temperature rise in applying electrical current)
- Post: Brass, copper-undercoated tin-plated (reflow treatment)
- Wafer: PA 66, UL94V-0, green
- Pitch: 2.54mm
- Number of circuits: 2 to 20
- * Compliant with RoHS.
- * Refer to "General Instruction and Notice when using Terminals and Connectors" at the end of this catalog.
- * Contact JST for details.

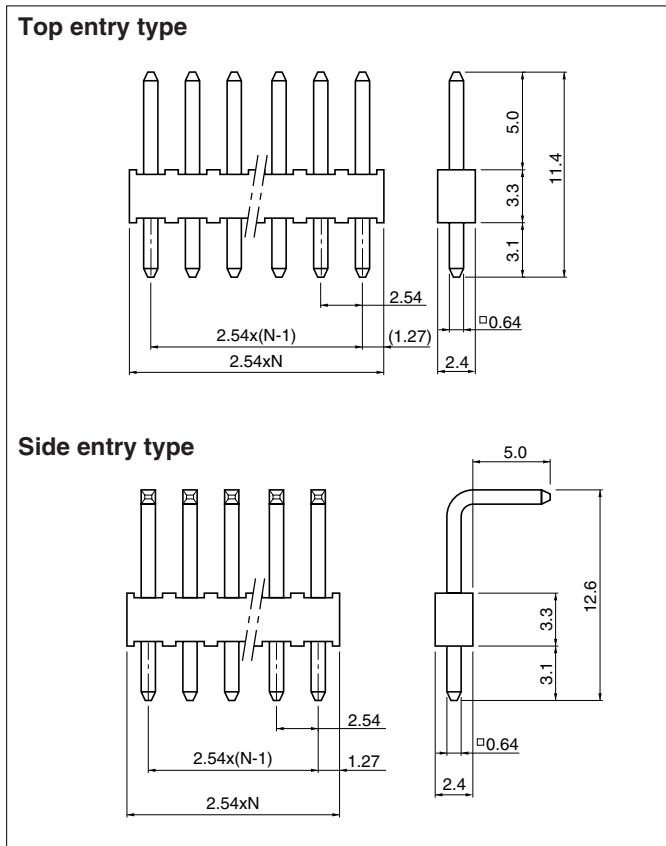
Standards

 Recognized E60389

 Certified LR20812

2.54SB HEADER

Header



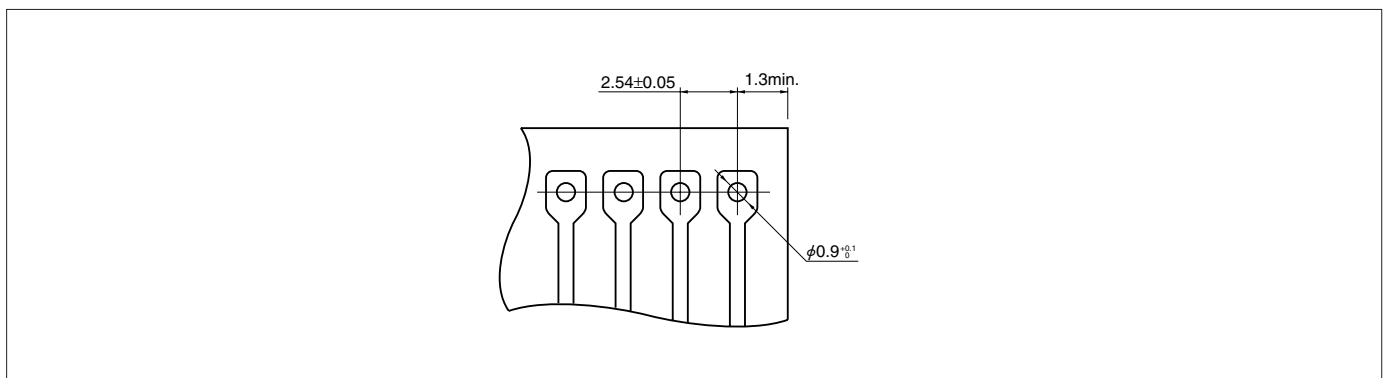
Note: N --- Number of circuits

Circuits	Model No.	
	Top entry type	Side entry type
2 to 20	T()B-SQ	TS()B-SQ

RoHS compliance This product displays (LF)(SN) on a label.

*The number of circuits (2 to 20) will be filled in the parentheses above.

PC board layout (viewed from soldering side)



Note:

1. Tolerances are non-cumulative: $\pm 0.05\text{mm}$ for all centers.
2. Hole dimensions differ according to the kind of PC board and piercing method. The dimensions above should serve as a guideline. Contact JST for details.