



APPROVAL SHEET

PRODUCT NAME	SMD CRYSTAL UNIT		
USER NAME			
USER PART NO.			
Provider	PARTRON		
PARTRON MODEL	CXC3X320000GHVRP5M		
CUSTOMER	Issued by	Checked by	Approved by
PARTRON	Issued by	Checked by	Approved by
	이종영		
In Charge	L.J.Y.	M.N.S.	K.J.M.
Division	R & D	Q C	R & D

MSL	LEAD FREE	Halogen-Free
MSL LEVEL 1		

	Case
Fab	China/Yantai/Partron
Assembly	China/Yantai/Partron
Final Test & Packing	China/Yantai/Partron

※ Please return one copy with approval to PARTRON

2011. 08. 08


22-6, Seokwoo-dong, Hwaseong-si, Gyeonggi-do, Korea 445-170

TEL : 82-31-201-7750

Contents

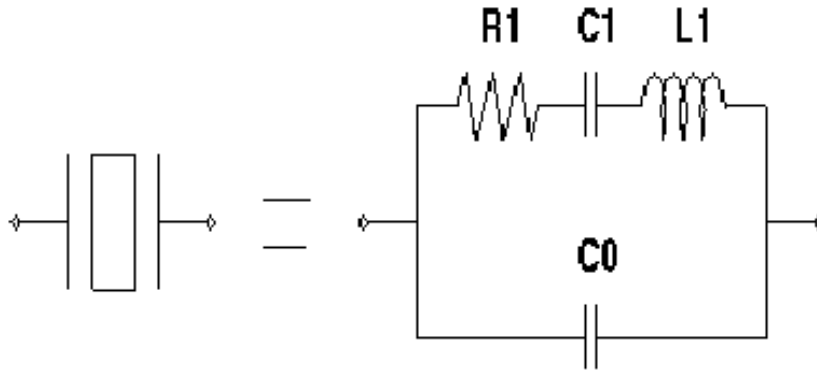
1. Revision History	- - - 3
2. Electrical characteristics	- - - 4
3. Mechanical characteristics	- - - 6
4. A Primary test result	- - - 7
5. Reliability test	- - - 8
6. Soldering Condition	- - - 9
7. Construction	- - - 10
8. Notices	- - - 11
9. Packing	- - - 12

2. Electrical Characteristics

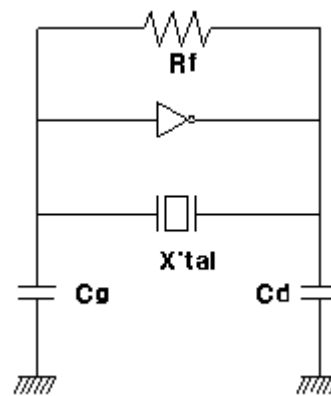
No.	Item	Symbol	Content
2.1	Frequency	f_0	32.0000 MHz
2.2	Frequency Tolerance 	$\Delta f/f_0$	± 10 ppm (@+25°C ± 2 °C)
2.3	Temperature range	Storage	T_{STG} -40 to 85°C
		Operating	T_{OPR} -20 to 70°C
2.4	Frequency stability	$\Delta f/f_0$	± 10 ppm (-20~70°C, REF @+25°C ± 2 °C)
2.5	Drive level	DL	100 uW max.
2.6	Equivalent series resistance	R1	60 Ω max.
2.7	Oscillation mode	O/T	Fundamental
2.8	Shunt capacitance	CO	3 pF max.
2.9	Motional capacitance	C1	10 fF max.
2.10	Load capacitance	C_L	11.5 pF
2.11	Aging	f_a	± 3 ppm/3year(@25°C)
2.12	Insulation resistance	IR	500 M Ω min @ 100VDC

[REMARK]

2-1 Crystal Equivalent Circuit and Application Circuit



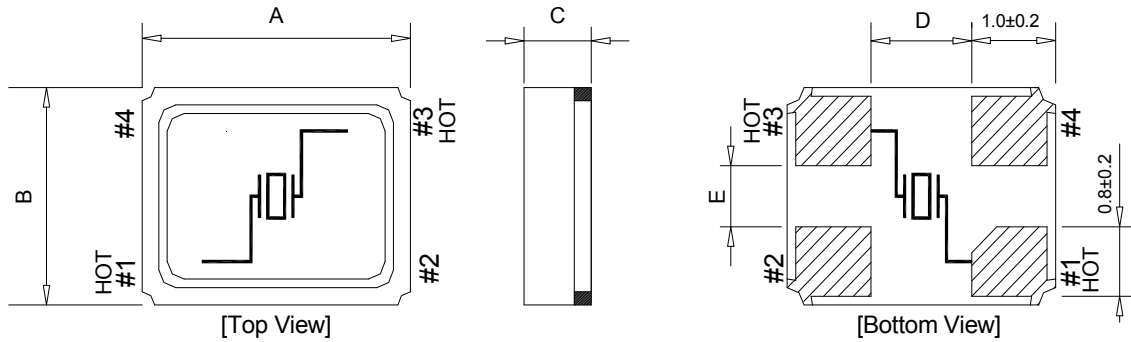
[Crystal and equivalent circuit]



[Application circuit for oscillation]

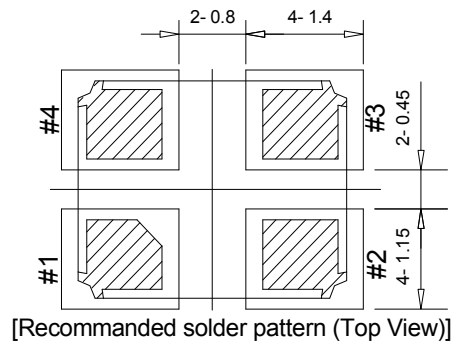
3. Mechanical characteristics

3-1 Outline Dimensions and Pin connections

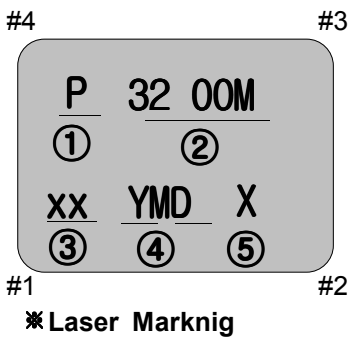


Size in mm				
A	B	C	D	E
3.20 ±0.10	2.50 ±0.10	0.75 max.	1.20 ±0.10	0.70 ±0.10

Pin connections	
#1	HOT
#2	GND
#3	HOT
#4	GND



3-2 Marking and LOT No



ITEM	MARKING	REMARK
①	P	Partron logo
②	32 00M	Frequency: 32.0000MHz
③	xx	CRYSTAL CL (2 digit)
④	YMD	Y : the last 1 digit of year M : 1 digit of month (Jan to Sept; 1 to 9, Oct; A,Nov B, Dec;C) D : 1 digit of day 1 to 9, A to V (A=10, V=31) EX) 769 = 2007.06.09, 8AS = 2008.10.28
⑤	X	Internal Code

4. A Primary test result

Electrical Characteristics Testing Data

Item	Result	FL (ppm)	C0 (pF)	R1 (Ω)	C1 (fF)	L (mH)	TS (ppm/pF)	Remark
Spec	High	10.0	3.0	60.0	10.0	-	-	
	Low	-10.0	-	-	-	-	-	
Max	Pass	4.0	1.1	18.4	3.8	6.8	5.2	
Min	Pass	-2.6	1.1	13.2	3.6	6.5	5.0	
Average	Pass	2.4	1.1	15.2	3.7	6.6	5.1	
Stdev	Pass	1.9	0.0	1.6	0.1	0.1	0.1	
1	Pass	2.0	1.1	17.0	3.7	6.6	5.1	
2	Pass	2.9	1.1	15.8	3.8	6.5	5.2	
3	Pass	3.4	1.1	15.3	3.6	6.8	5.0	
4	Pass	-2.6	1.1	15.7	3.7	6.7	5.0	
5	Pass	2.9	1.1	14.6	3.8	6.6	5.1	
6	Pass	3.6	1.1	14.3	3.6	6.8	5.0	
7	Pass	2.0	1.1	13.5	3.7	6.7	5.0	
8	Pass	3.5	1.1	13.7	3.8	6.5	5.2	
9	Pass	4.0	1.1	13.2	3.8	6.5	5.2	
10	Pass	2.8	1.1	18.4	3.8	6.5	5.2	

5. Reliability test

5.1 Environment Test

Contents	Condition	Remark
High temperature Storage	+125°C±5°C, 240 hr	*Testing is complete, leave at room temperature for 24 hours, and Measure.(25°C±5°C) * Be satisfied with contents No 2. Specification
Low temperature Storage	-55°C±5°C, 240 hr	
High temperature High humidity Storage	+85°C±5°C, RH=85%, 96 hr	
PCT	+121°C±5°C, RH=100%, 24hr	

5.2 Thermal shock , Reflow Test

Contents	Condition	Remark
Thermal shock	-40°C±5°C,+85°C±5°C, 30 min, 32 cycle	*Testing is complete, leave at room temperature for 24 hours, and Measure.(25°C±5°C) * Be satisfied with contents No 2. Specification
REFLOW	Pre Heating 200±5°C , 30~60 sec Peak Heating 260°C±5°C , 30sec Max	

5.3 Mechanical Test

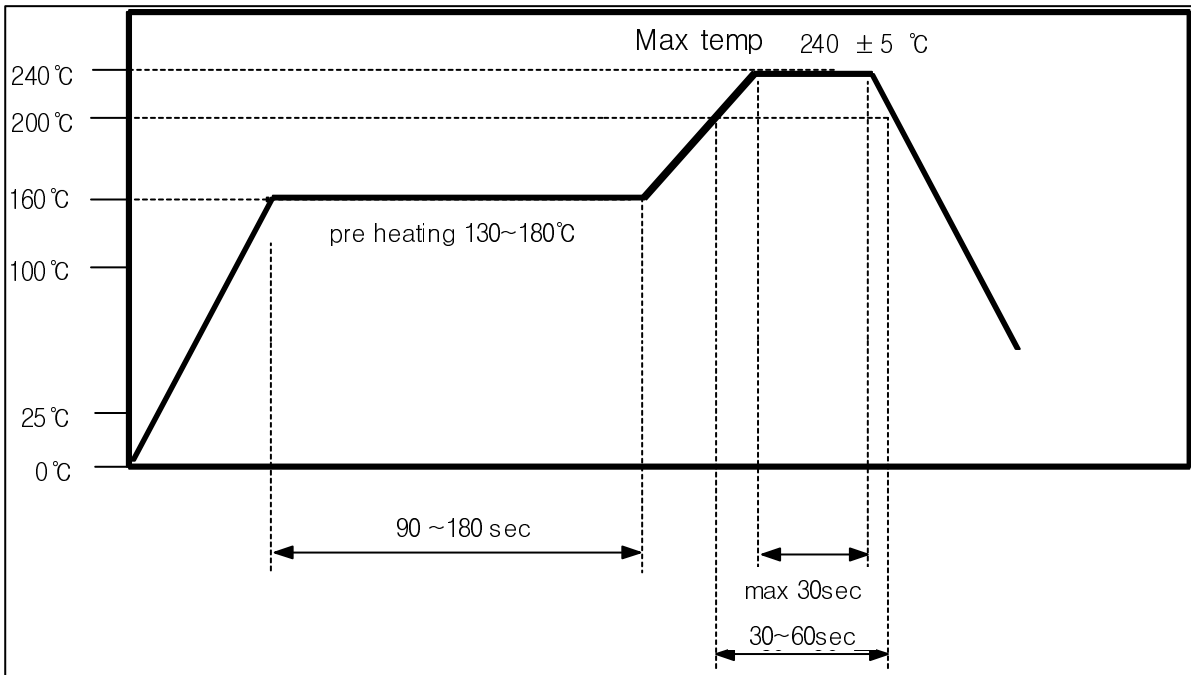
Contents	Condition	Remark
Vibration	Frequency : 10~500Hz, 10 ×9.8m/s ² (G) Sweep time 15min ,X.Y.Z each 5 times	*Testing is complete, leave at room temperature for 1 hours, and Measure.(25°C±5°C) * Be satisfied with contents No 2. Specification
Drop test	12 times falling at a 160cm height (falling with jig)	

5.4 Table

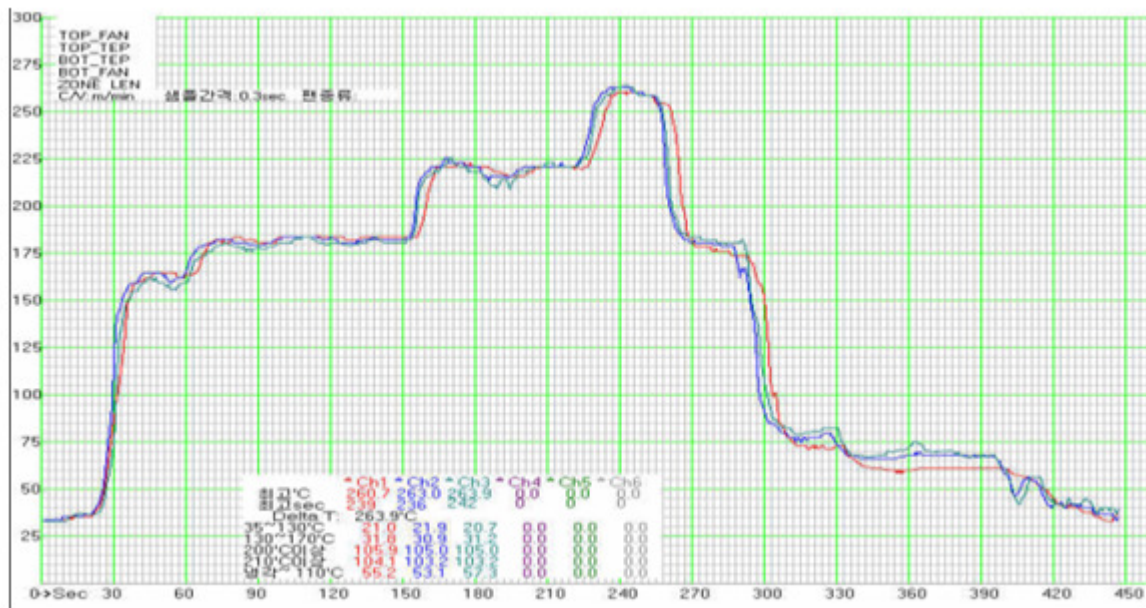
Frequency change permitted	±3ppm Max.
----------------------------	------------

6. Soldering Condition

6.1 Standard Reflow soldering condition



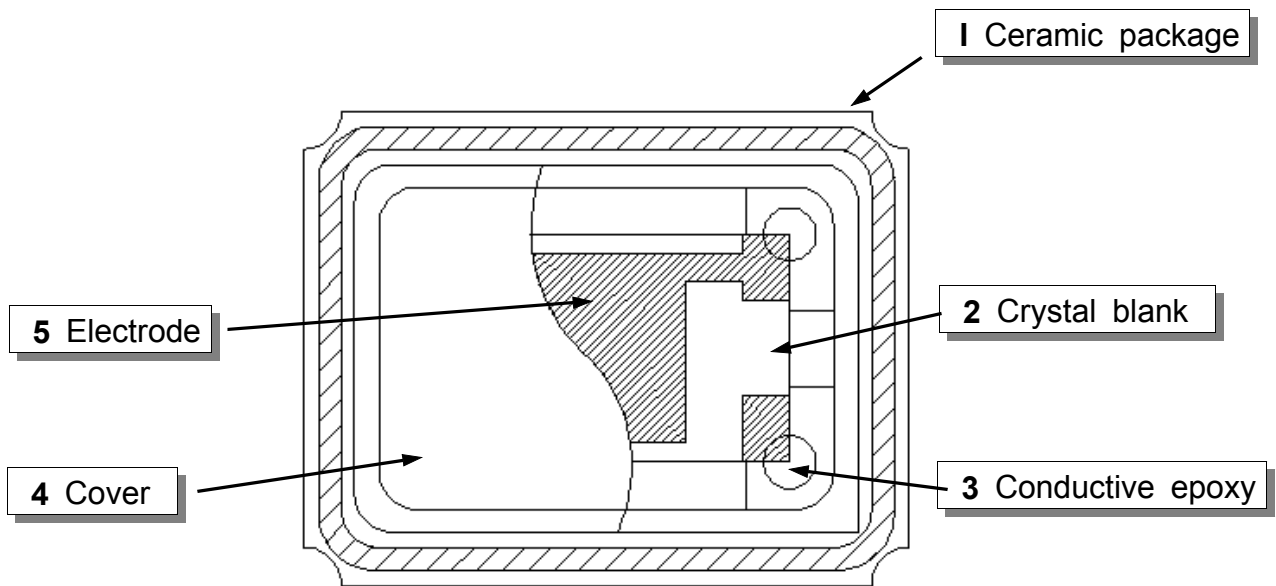
6.2 The maximum temperature guarantees to the 260°C(10sec Max)



6.3 Soldering Iron Method

- Pre heating : 120°C (30 ~ 300 sec)
- Max temp : 410°C Max
- Time : Max 4 sec

7. Construction



No	item
1	Ceramic package
2	Crystal blank
3	Conductive Epoxy
4	Lid(Cover)
5	Electrode

8. Notices

8-1 Max. two(2) times reflow is allowed.

Once miss soldering is happen, hand work soldering by soldering iron is recommended.
(+400°C x within 5 sec)

8-2 Ultrasonic vibration may cause deterioration and destruction of the components.

Please avoid ultrasonic cleaning

8-3 We recommend storing products at +15°C to +35°C and 25% R.H to 75% R.H

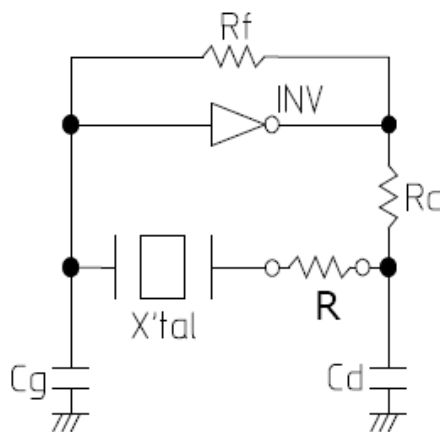
8-4 ESD Level : Class2(2000V ~ 4000V)

8-5 MSL LEVEL 1 (JEDEC J-STD-020C)

ITEM	Floor Life		Soak Requirements	
	Time	Conditions	Time	Conditions
1	Unlimited	=< 30°C/85%RH	165+5/-0	=< 85°C/85%RH

8-6 Unless adequate negative resistance is allocated in the oscillation circuit, start up time of oscillation may be increased, or no oscillation may occur. In order to avoid this, please provide enough negative resistance in the circuit design.

© How to check the negative resistance



(1) Connect the resistor (R) to the circuit in series with the crystal resonator.

(2) Adjust R so that oscillation can start (or stop).

(3) Measure R when oscillation just start (or stop) in above (2).

(4) Get the negative resistance

$$-R = R + R1 \text{ value}$$

(5) Recommended -R

$$[-R] > R1 \text{ max} \times 5$$

9. Packing

9.1 Reel, carrier tape material

item	Main Material
Cover Tape	PE (Polyester film)
Carrier Tape	PC (Poly Carbonate +Carbon) or (Clear Poly Carbonate)
Reel	PS (Poly Styrene)

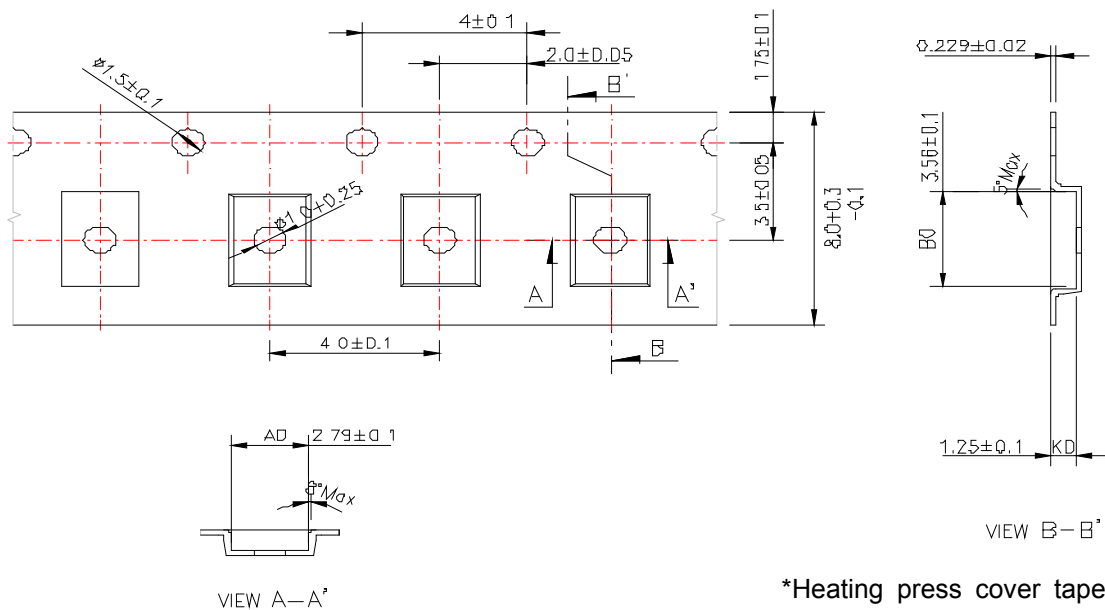
9.2 inner Box :1 reel/inner box and 2,000 pcs/1 reel.

9.3 Outer Box : 10 inner boxes/Outer Box

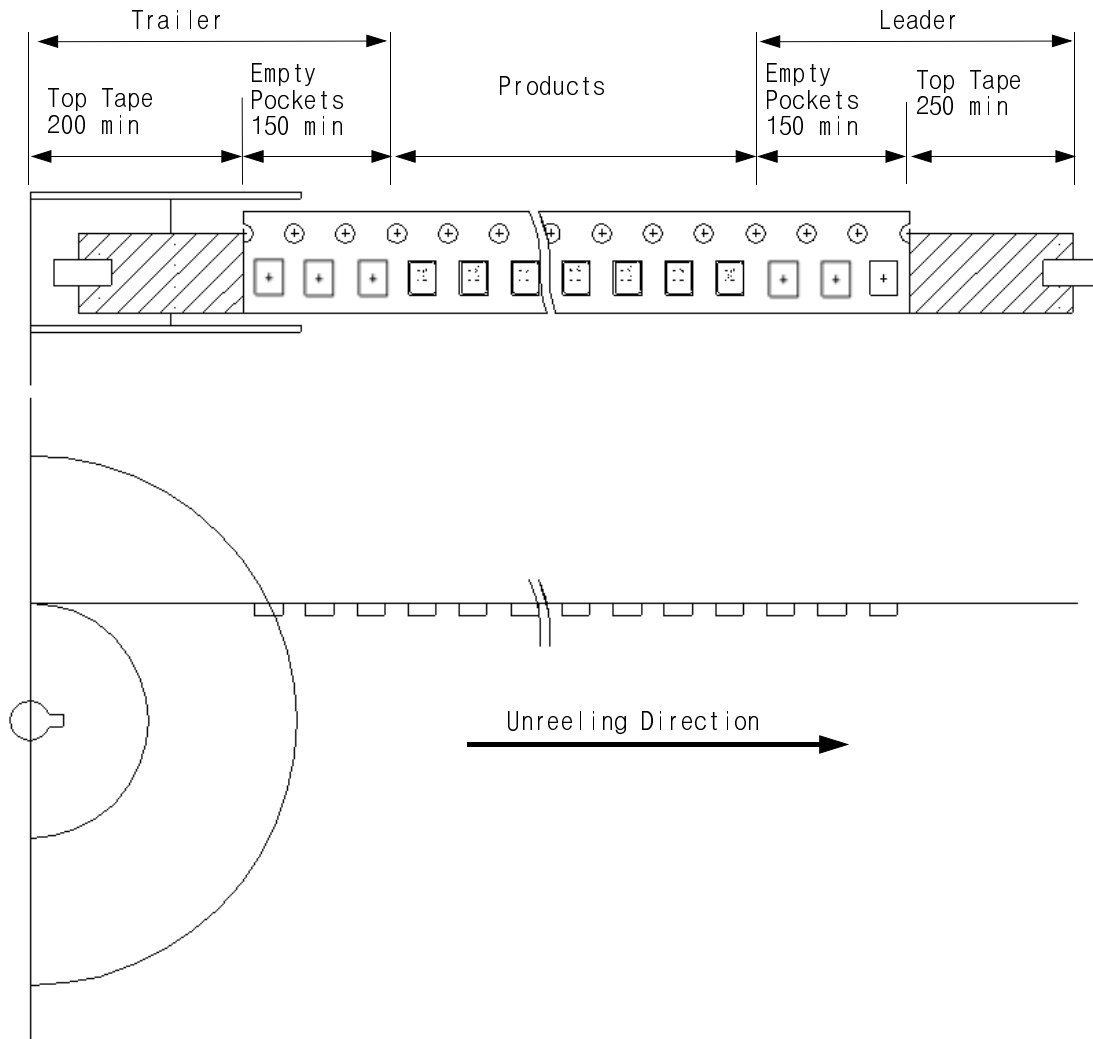
Total 20,000 pcs are packed in a 1 outer box

9.4 Reel and Carrier tape dimensions(unit : mm)

Carrier tape



9.6 Tape and Reel



9.7 Inner, outer box Dimensions (unit : mm)

