



|         |            |
|---------|------------|
| PS No.  | PS-009-034 |
| Version | 00         |
| Date    | 2015-6-22  |

# 继电器规格书

## RELAY SPECIFICATION

品名/Product Description      RJE-112DF  
零件编号/Part Number  
客户名/Customer

### 客户批准/Customer Approval

|                   |
|-------------------|
| 盖章处/STAMPING AREA |
|                   |

| 发行批准 / Issued by |     |     |
|------------------|-----|-----|
| PD               | SM  | R&D |
| 许忠               | 余明亮 | 冯旭强 |



| 继电器规格书<br>Relay SPECIFICATION | 型号<br>TYPE            | RJE-112DF                            | 产品编号<br>Part Number       |                            |
|-------------------------------|-----------------------|--------------------------------------|---------------------------|----------------------------|
| 1 零件清单/PARTS LIST             |                       |                                      |                           |                            |
| No.                           | 零件名<br>Part           | 材质<br>MATERIAL                       | 型号/处理方式<br>TYPE/TREATMENT | UL FILE No.<br>FLAME CLASS |
| 1                             | 骨架<br>Bobbin          | PBT                                  | 5010GN6-30M8X             | E53664                     |
| 2                             | 外壳<br>Case            | PBT                                  | RG301<br>5010GN6-30       | E171666<br>E53664          |
| 3                             | 基座<br>Base            | PBT                                  | RG301<br>5010GN6-30       | E171666<br>E53664          |
| 4                             | 推片<br>Card            | LCP                                  | R850                      | E171666                    |
| 5                             | 铁芯<br>Core            | 铁<br>Steel                           | 镀镍<br>Nickel Plated       |                            |
| 6                             | 轭铁<br>Yoke            | 铁<br>Steel                           | 镀镍<br>Nickel Plated       |                            |
| 7                             | 衔铁<br>Armature        | 铁<br>Steel                           | 镀镍<br>Nickel Plated       |                            |
| 8                             | 挂钩<br>Hinge           | 铜合金<br>Cu Alloy                      |                           |                            |
| 9                             | M接点<br>M Contact      | 银合金<br>Ag Alloy                      |                           |                            |
| 10                            | 可动接点<br>C Contact     | 银合金<br>Ag Alloy                      |                           |                            |
| 11                            | B接点<br>B Contact      | 银合金<br>Ag Alloy                      |                           |                            |
| 12                            | M端子<br>M Terminal     | 铜合金<br>Cu Alloy                      |                           |                            |
| 13                            | 可动弹片<br>C Terminal    | 铜合金<br>Cu Alloy                      |                           |                            |
| 14                            | B端子<br>B Terminal     | 铜合金<br>Cu Alloy                      |                           |                            |
| 15                            | 线圈端子<br>Coil Terminal | 铜包钢<br>Copper covered Steel          | 镀锡<br>Solder Coated       |                            |
| 16                            | 线材<br>Wire            | 聚氨酯漆包圆铜线<br>Polyurethane copper wire | 3UEW 155(F Class)         | E164502<br>E234867         |
| 17                            | 胶水<br>Sealing Resin   | 环氧树脂<br>Epoxy                        |                           |                            |

PS No.:

PS-009-034

Ver

00

| 继电器规格书<br>Relay SPECIFICATION        | 型号<br>TYPE         | RJE-112DF  | 产品编号<br>Part Number |
|--------------------------------------|--------------------|--|---------------------|
| PS No.:                              |                    |  |                     |
| PS-009-034                           |                    |  |                     |
| Ver                                  |                    |  |                     |
| 00                                   |                    |  |                     |
| <b>2 性能/SPECIFICATIONS</b>           |                    |  |                     |
| <b>2.1 驱动部分/COIL SPECIFICATIONS</b>  |                    |  |                     |
| 2.1.1 额定电压<br>Rated Coil Voltage     | 12                 | VDC (在20°C时)<br>VDC at 20°C  |                     |
| 2.1.2 额定功率<br>Nominal Power          | 0.4                | W (在20°C时)<br>W at 20°C  |                     |
| 2.1.3 线圈电阻<br>Coil Resistance        | 360                | $\Omega \pm 10\%$ (在20°C时)<br>$\Omega \pm 10\%$ (at 20°C)                            |                     |
| 2.1.4 额定电流<br>Nominal Current        | 33.3               | mA $\pm 10\%$ (在20°C时)<br>mA $\pm 10\%$ (at 20°C)                                    |                     |
| 2.1.5 吸合电压<br>Operate Voltage        | 9                  | VDC以下 (在20°C时)<br>VDC Max. at 20°C   |                     |
| 2.1.6 释放电压<br>Release Voltage        | 0.6                | VDC以上 (在20°C时)<br>VDC Min. at 20°C   |                     |
| 2.1.7 最大连续施加电压<br>Max Power          | 18.6               | VDC Max. 155%额定电压<br>VDC Max. 155% of Nominal  |                     |
| <b>2.2 开关部/CONTACT SPECIFICATION</b> |                    |  |                     |
| 2.2.1 开关类型<br>Contact Configuration  | 单刀转换型<br>1 Form C  |  |                     |
| 2.2.2 接点规格<br>Contact Rating         | N.O.: 5<br>N.C.: 3 | A 277VAC (阻性负载)<br>A @277VAC (Resistive)<br>A 277VAC (阻性负载)<br>A @277VAC (Resistive) |                     |
| 2.2.3 接触电阻<br>Contact Resistance     | 100                | m $\Omega$ 以下, (初期值, DC 6V/1A条件下)<br>m $\Omega$ Max. @ Initiate, DC 6V/1A            |                     |
|                                      | 500                | m $\Omega$ 以下, (寿命试验后, DC 6V/1A条件下)<br>m $\Omega$ Max. @ After Life, DC 6V/1A        |                     |
| 2.2.4 吸合时间<br>Operate Time           | 20                 | ms 以下 (额定电压下)<br>ms Max. @ Rated Voltage   |                     |
| 2.2.5 释放时间<br>Release Time           | 10                 | ms 以下 (施加额定电压后断开时)<br>ms Max. @ Rated Voltage  |                     |
| 2.2.6 最大动作频率<br>Max. Switching Rate  | 300                | 次/分 (无负载)<br>ops./min. (no load).  |                     |
|                                      | 6                  | 次/分 (额定负载)<br>ops./min. (Rated load)   |                     |

| 继电器规格书<br>Relay SPECIFICATION            | 型号<br>TYPE   | RJE-112DF |  | 产品编号<br>Part Number |
|--|--|-----------|--|---------------------|
| PS No.:                                  |  |           |  |                     |
| PS-009-034                               |  |           |  |                     |
| Ver                                      |  |           |  |                     |
| 00                                       |  |           |  |                     |
| <b>2.3 特性/GENERAL SPECIFICATION</b>      |  |           |  |                     |
| 2.3.1 绝缘电阻<br>Insulation Resistance      | 1000 MΩ以上 (500VDC)<br>1000 MΩ Min@500VDC   |           |  |                     |
| 2.3.2 介质耐压<br>Dielectric Strength        | 1000 VAC/分钟(接点间)<br>4000 VAC/分钟(线圈/接点间)<br>1000 VAC@50/60Hz 1 min.(Between Open Contacts)<br>4000 VAC@50/60Hz 1 min.(Between Coil and Contacts)  |           |  |                     |
| 2.3.3 电气寿命<br>Electrical Life            | 1×10 <sup>5</sup> 次以上 (额定负载)<br>1×10 <sup>5</sup> Cycle Min. @Rate Load  |           |  |                     |
| 2.3.4 机械寿命<br>Mechanical Life            | 1×10 <sup>6</sup> 次以上 (无负载)<br>1×10 <sup>6</sup> Cycle Min. @no load   |           |  |                     |
| 2.3.5 使用环境温度<br>Temperature              | -40~105 °C (无凝结时)<br>-40~105 °C @no condensation   |           |  |                     |
| 2.3.6 使用环境湿度<br>Humidity                 | 20~85% RH (无凝结时)<br>20~85% RH @no condensation   |           |  |                     |
| 2.3.7 抗振动<br>Vibration                   | 耐久 10~55 Hz, 双振幅 1.5mm<br>Mechanical 10 to 55 Hz, 1.5mm double amplitude<br>误动作 10~55 Hz, 双振幅1.5mm<br>Operational 10 to 55 Hz, 1.5mm double amplitude  |           |  |                     |
| 2.3.8 抗冲击<br>Shock                       | 耐久 980 m/s <sup>2</sup> Min (约100G)<br>Mechanical 980 m/s <sup>2</sup> Min (100G approximately)<br>误动作 98 m/s <sup>2</sup> Min (约10G)<br>Operational 98 m/s <sup>2</sup> Min (10G approximately) |           |  |                     |
| 2.3.9 重量<br>Weight                       | 7 克<br>7 g   |           |  |                     |
| 2.3.10 焊锡条件<br>Solder ability            | 5s @ 260°C (波峰焊)<br>5s @ 260°C (wave soldering)  |           |  |                     |
| <b>2.4 端子性能/TERMINAL CHARACTERISTICS</b> |  |           |  |                     |
| 2.4.1 端子强度<br>Terminals strength         | 5牛/10秒, 任意方向静态压力, 无异常, 但端子弯曲可以<br>5N 10s, There shall be no abnormalities.<br>(The curving of the terminal shall be acceptable)  |           |  |                     |
| 2.4.2 可焊性<br>Terminal solderbility       | 260±5°C 5s, 端子头部3mm部分90%以上的面积有锡覆盖<br>(无铅焊锡)<br>260±5°C 5s, In Case of lead lead free solder,<br>90% of the dipped portion shall be solderd.  |           |  |                     |
| 2.4.3 耐热性<br>Soldering Heat Resistance   | 5s @ 260°C, 端子头部3mm浸入锡中, 无异常发生<br>5s @ 260°C, There shall be no abnormalities. (wave soldering)  |           |  |                     |

|                               |            |           |                     |
|-------------------------------|------------|-----------|---------------------|
| 继电器规格书<br>Relay SPECIFICATION | 型号<br>TYPE | RJE-105DF | 产品编号<br>Part Number |
|-------------------------------|------------|-----------|---------------------|

PS No.: PS-009-034 Ver 00

2.5 安全规格/SAFETY REQUIREMENTS

2.5.1 UL规格认定 (UL & C-UL)  
UL (UL & C-UL)

档案号: E345228  
File No.:



2.5.2 CQC标志认证  
CQC

证书编号: CQC12002084196  
Certificate No.:

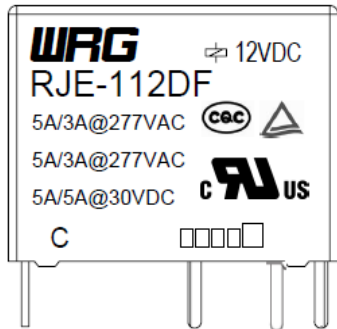


2.5.3 TUV规格认定  
TUV

证书号: R50246903  
Certificate No.:



3. 捺印图/Mark Layout



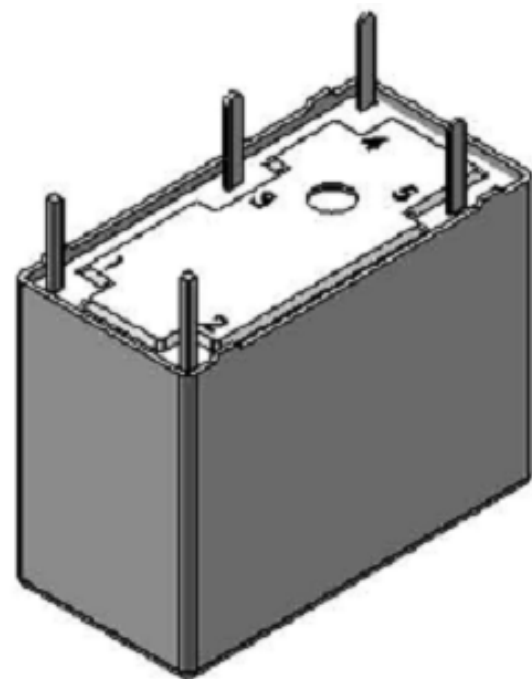
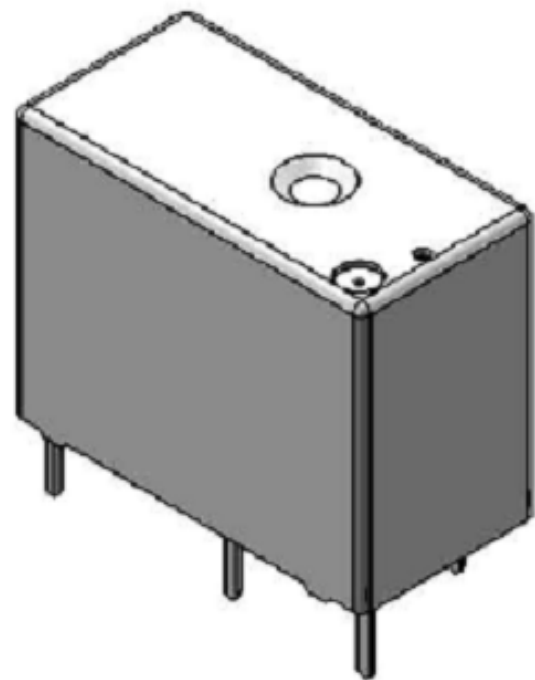
注:  
仅供参考.  
For reference only.

注/Remark

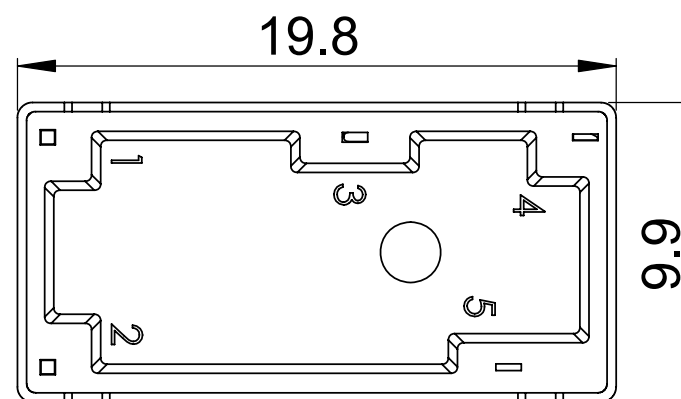
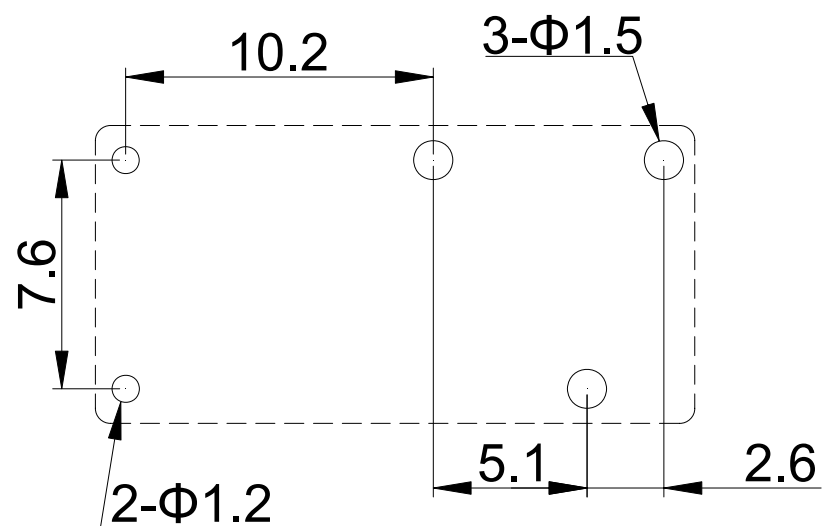
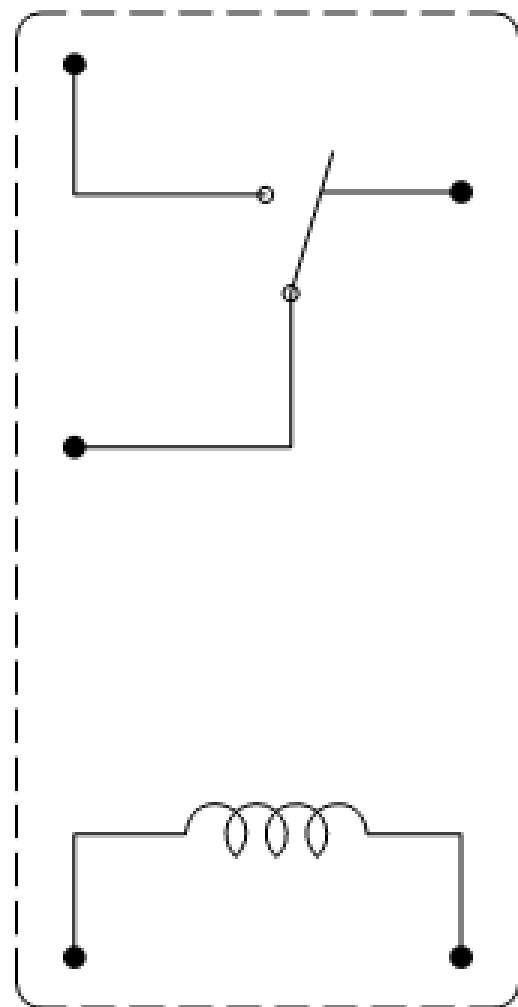
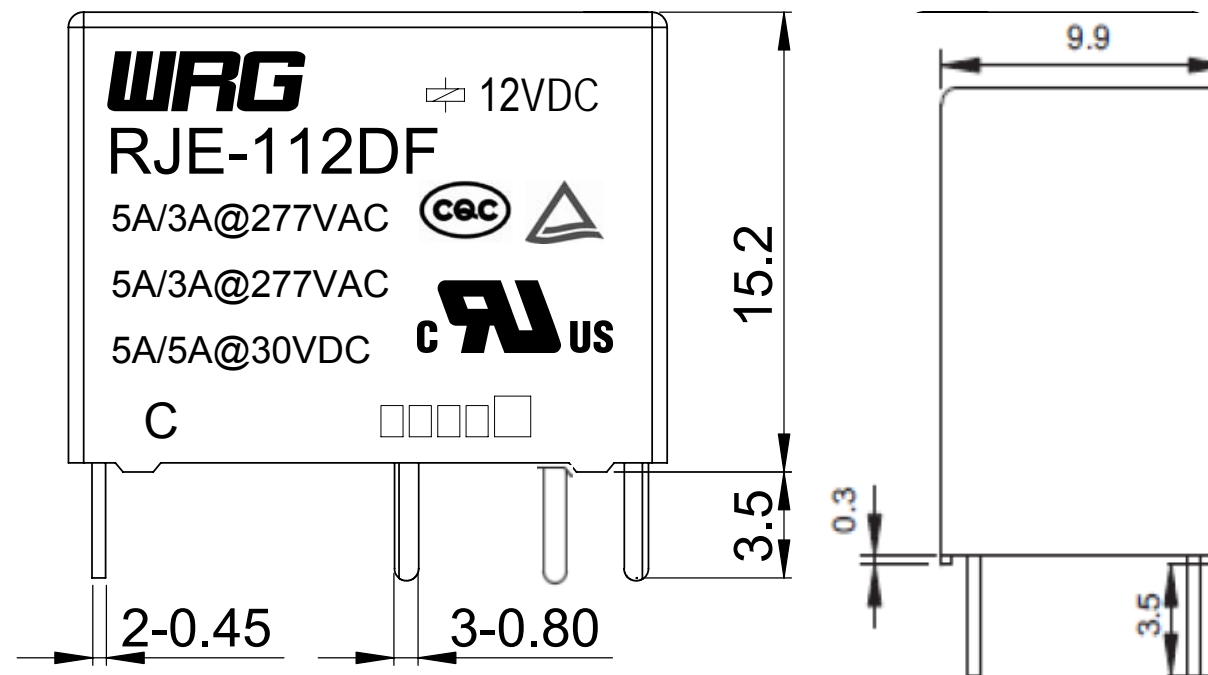
以中文版为准, 英文版仅供参考。

Chinese version is the standard one, English version is only for information.

结束/<END>



3:1



|                      |       |            |      |          |    |
|----------------------|-------|------------|------|----------|----|
| 型号                   | RJE   | 子图号        | 承认   | 检图       | 制图 |
|                      |       | 作图日期       | 船山   |          | 周波 |
|                      |       | 2012.10.22 |      |          |    |
| 公差/TOLERANCES (. mm) |       | 数量         | 版本   | 名称(用途)   |    |
| <1                   | ± 0.2 | 1          | V1.0 | RJE C型   |    |
| 1~5                  | ± 0.3 | 比例         | 页数   | 图号       |    |
| >5                   | ± 0.4 | 4:1        | 1/1  | U-009-08 |    |