



三禮電子集團控股有限公司

3L ELECTRONIC GROUP HOLDINGS LIMITED
SPECIFICATION FOR APPROVED 樣品承認書



CUSTOMER:

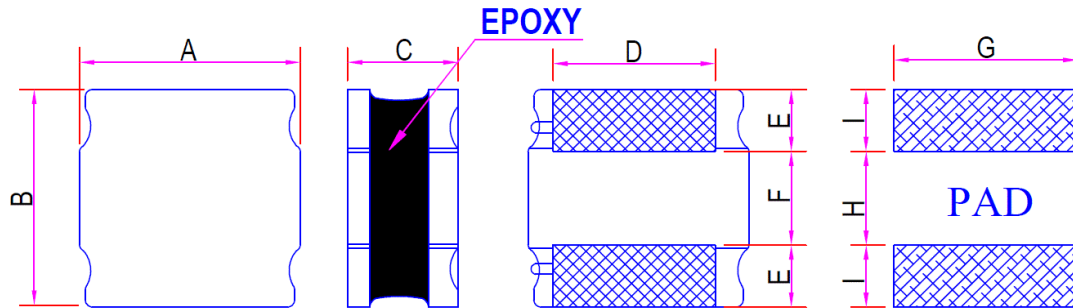
PAGE : 1 OF 3

P/N(料號): SNR3012K-SERIES

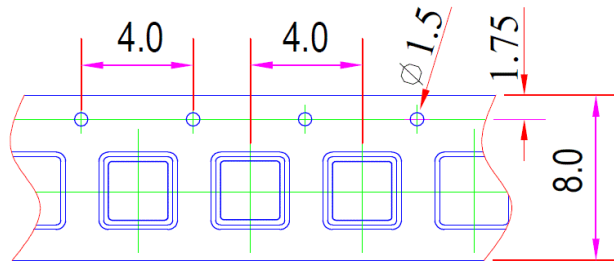
YOUR REF. :

1.MACHANCIAL DIMENSIONS(外形尺寸):

DRAW. NO. : SNR3012K



SCHEMATIC



EACH TAPE : 2000 PCS

| Item (項目) | Spec. (規格mm) | Typ.(實測值) | Item (項目) | Spec. (規格mm) | Typ.(實測值) |
|-----------|--------------|-----------|-----------|--------------|-----------|
| A | 3.0+0.2 | | F | 1.5 | |
| B | 3.0+0.2 | | G | 2.7 | |
| C | 1.25 Max | | H | 1.5 | |
| D | 2.5 | | I | 0.8 | |
| E | 0.75 | | K | | |

2. NOTES (備注, 包括印字及起始同相端等特別要求):

2.1 Marking (印字):

CUSTOMER APPROVED (客戶確認)

APPROVED (確認)

CHECKED (檢查)

DRAWN (制圖)

工程部
2018.11.07
郭义标

工程部
2018.11.07
钟海珊

工程部
2018.11.07
程燕桥

ISSUED DATE(出版日期): 20161014

PRINT DATE(出圖日期): 20161014

REV(版次): XA



三禮電子集團控股有限公司

3L ELECTRONIC GROUP HOLDINGS LIMITED

SPECIFICATION FOR APPROVED 樣品承認書



CUSTOMER: PAGE : 2 OF 3

P/N(料號): SNR3012K-SERIES YOUR REF. :

3. ELECTRICAL CHARACTERISTICS (電特性要求) :

| 3L/PN | L | Tolerance | DCR(mΩ) | Isat | Irise | Test Freq |
|---------------|------|-----------|---------|------|-------|--------------|
| | (uH) | (+-%) | (+-30%) | (A) | (A) | Condition |
| SNR3012K-R33N | 0.33 | 30 | 21 | 3.00 | 2.90 | 100KHz/0.25V |
| SNR3012K-R47N | 0.47 | 30 | 33 | 2.20 | 2.20 | 100KHz/0.25V |
| SNR3012K-R82N | 0.82 | 30 | 40 | 2.05 | 2.10 | 100KHz/0.25V |
| SNR3012K-1R0N | 1.00 | 30 | 48 | 1.90 | 2.00 | 100KHz/0.25V |
| SNR3012K-1R5N | 1.50 | 30 | 55 | 1.62 | 1.85 | 100KHz/0.25V |
| SNR3012K-2R2M | 2.20 | 20 | 75 | 1.20 | 1.55 | 100KHz/0.25V |
| SNR3012K-3R3M | 3.30 | 20 | 100 | 1.05 | 1.35 | 100KHz/0.25V |
| SNR3012K-4R7M | 4.70 | 20 | 120 | 0.90 | 1.25 | 100KHz/0.25V |
| SNR3012K-5R6M | 5.60 | 20 | 160 | 0.80 | 1.10 | 100KHz/0.25V |
| SNR3012K-6R8M | 6.80 | 20 | 190 | 0.75 | 1.00 | 100KHz/0.25V |
| SNR3012K-100M | 10 | 20 | 265 | 0.60 | 0.89 | 100KHz/0.25V |
| SNR3012K-150M | 15 | 20 | 430 | 0.45 | 0.72 | 100KHz/0.25V |
| SNR3012K-220M | 22 | 20 | 630 | 0.42 | 0.55 | 100KHz/0.25V |
| | | | | | | |
| | | | | | | |
| | | | | | | |
| | | | | | | |
| | | | | | | |
| | | | | | | |

Isat(A):
 DC Saturation Current that will cause initial inductance to drop approximately 30% max
 Irise(A):
 DC Current that will cause an approximata ΔT of 40°C
 Ope.Temp.: -40 to 125°C
 Measuring Instrument:L:HP4284 Isat:HP4284+42841A DCR:502BC

| CUSTOMER APPROVED (客戶確認) | APPROVED (確認) | CHECKED (檢查) | DRAWN (制圖) |
|--------------------------|---------------|--------------|------------|
| | | | |



三禮電子集團控股有限公司

3L ELECTRONIC GROUP HOLDINGS LIMITED
SPECIFICATION FOR APPROVED 樣品承認書



CUSTOMER:

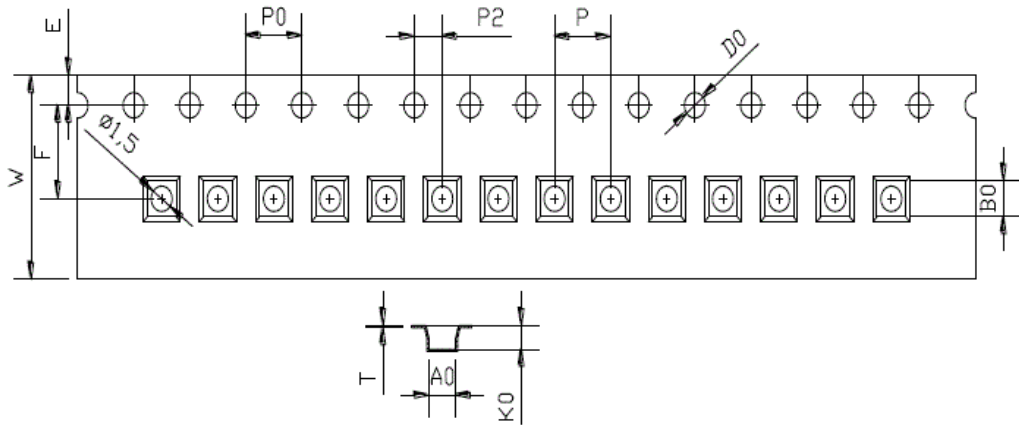
PAGE : 3 OF 3

P/N(料號): SNR3012K-SERIES

YOUR REF. :

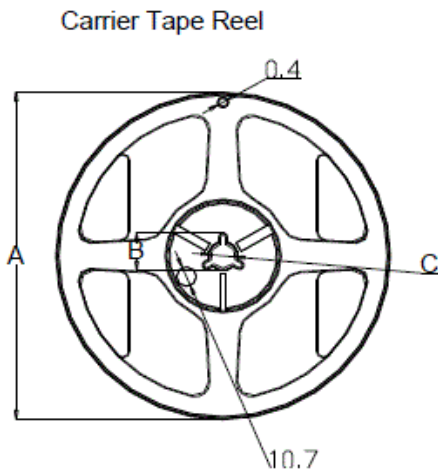
Packaging Specifications

1. Carrier Tape Dimensions:



| ITEM | W | A0 | B0 | K0 | P | F | E | D0 | P0 | P2 | T |
|------|------|-------|-------|------|------|------|------|------|------|------|-------|
| DIM | 8.00 | 3.3 | 3.3 | 1.6 | 4.00 | 3.50 | 1.75 | 1.50 | 4.00 | 2.00 | 0.25 |
| TOLE | ±0.1 | ±0.05 | ±0.05 | ±0.1 | ±0.1 | ±0.1 | ±0.1 | +0.1 | ±0.1 | ±0.1 | ±0.05 |

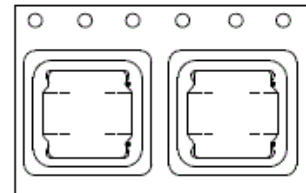
2. Reel Dimensions:



PACKAGE SPECIFICATION:

2KPCS/ Reel

編帶方向，如右圖所示



| Type | A | B | C | G | N | T |
|------|-----|----------|--------|---|----|------|
| 8mm | 178 | 20.7±0.8 | 13±0.4 | 9 | 60 | 10.8 |

CUSTOMER APPROVED (客戶確認)

APPROVED (確認)

CHECKED (檢查)

DRAWN (制圖)

工程部
2018.11.07
郭义标

工程部
2018.11.07
钟海珊

工程部
2018.11.07
程燕桥

ISSUED DATE(出版日期): 20161014

PRINT DATE(出圖日期): 20161014