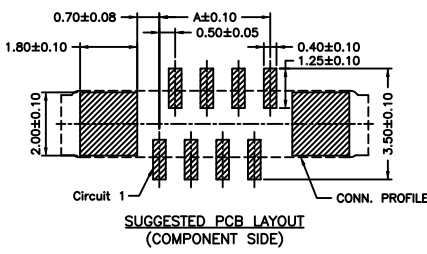


P/N LEGEND

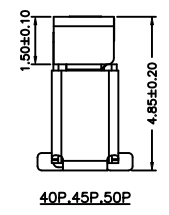
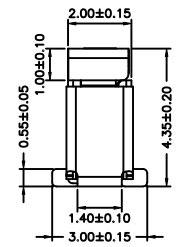
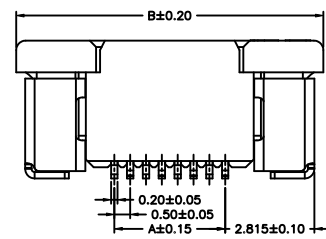
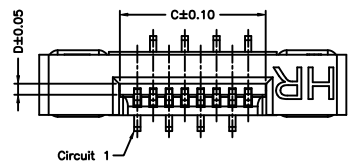
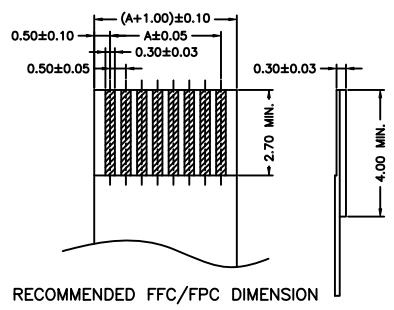
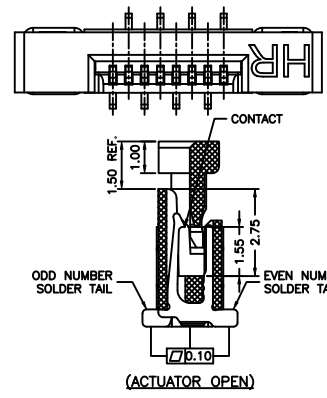
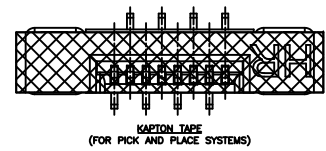
- F0500 WV-S-XP N L N XX X 00 X
 ① ② ③ ④ ⑤ ⑥ ⑦ ⑧ ⑨ ⑩ ⑪
- ① Series No.
 - ② Connector type: WV=Vertical
 - ③ Mounting type: S=SMT
 - ④ No. of circuits
 - ⑤ N=Halogen Free
 - ⑥ Material: L=LCP
 - ⑦ Color: N=Natural(Beige)
 - ⑧ Plating code for contacts:
T1=Matte Tin-plated; G1=Gold-flash
 - ⑨ Plating code for solder tabs:
T=Matte Tin-plated; G=Gold-flash
 - ⑩ Option code: 00=Standard
 - ⑪ Packing code:
L=Tape & Reel(With Mylar)
R=Tape & Reel(Without Mylar)

SPECIFICATIONS

Current Rating: 0.5A AC,DC
 Voltage Rating: 50V AC,DC
 Temperature Range: -25°C ~ +85°C
 Contact Resistance: 30mΩ Max.
 Insulation Resistance: 100MΩ Min.
 Withstanding Voltage: 250V AC/minute
 Contacts: Phosphor Bronze/Matte Tin-plated or Gold-flash 1u"
 Solder Tabs: Brass/Matte Tin-plated or Gold-flash 1u"
 Housing: LCP,UL94V-0,Natural(Beige)
 Actuator: Nylon 6T,UL94V-0,Natural(Black)



| Circuit No. | Dimensions | | | | Circuit No. | Dimensions | | | |
|-------------|------------|-------|-------|-------|-------------|------------|-------|-------|-------|
| | A | B | C | D | | A | B | C | D |
| 04P | 1.50 | 7.70 | 2.60 | 0.300 | 25P | 12.00 | 18.20 | 13.10 | 0.350 |
| 05P | 2.00 | 8.20 | 3.10 | 0.300 | 26P | 12.50 | 18.70 | 13.60 | 0.350 |
| 06P | 2.50 | 8.70 | 3.60 | 0.300 | 27P | 13.00 | 19.20 | 14.10 | 0.350 |
| 07P | 3.00 | 9.20 | 4.10 | 0.350 | 28P | 13.50 | 19.70 | 14.60 | 0.350 |
| 08P | 3.50 | 9.70 | 4.60 | 0.350 | 29P | 14.00 | 20.20 | 15.10 | 0.350 |
| 09P | 4.00 | 10.20 | 5.10 | 0.350 | 30P | 14.50 | 20.70 | 15.60 | 0.350 |
| 10P | 4.50 | 10.70 | 5.60 | 0.350 | 31P | 15.00 | 21.20 | 16.10 | 0.350 |
| 11P | 5.00 | 11.20 | 6.10 | 0.350 | 32P | 15.50 | 21.70 | 16.60 | 0.350 |
| 12P | 5.50 | 11.70 | 6.60 | 0.350 | 33P | 16.00 | 22.20 | 17.10 | 0.350 |
| 13P | 6.00 | 12.20 | 7.10 | 0.350 | 34P | 16.50 | 22.70 | 17.60 | 0.350 |
| 14P | 6.50 | 12.70 | 7.60 | 0.350 | 35P | 17.00 | 23.20 | 18.10 | 0.350 |
| 15P | 7.00 | 13.20 | 8.10 | 0.350 | 36P | 17.50 | 23.70 | 18.60 | 0.350 |
| 16P | 7.50 | 13.70 | 8.60 | 0.350 | 37P | 18.00 | 24.20 | 19.10 | 0.350 |
| 17P | 8.00 | 14.20 | 9.10 | 0.350 | 38P | 18.50 | 24.70 | 19.60 | 0.350 |
| 18P | 8.50 | 14.70 | 9.60 | 0.350 | 39P | 19.00 | 25.20 | 20.10 | 0.350 |
| 19P | 9.00 | 15.20 | 10.10 | 0.350 | 40P | 19.50 | 25.70 | 20.60 | 0.350 |
| 20P | 9.50 | 15.70 | 10.60 | 0.350 | 45P | 22.00 | 28.20 | 23.10 | 0.350 |
| 21P | 10.00 | 16.20 | 11.10 | 0.350 | 49P | 24.00 | 30.20 | 25.10 | 0.350 |
| 22P | 10.50 | 16.70 | 11.60 | 0.350 | 50P | 24.50 | 30.70 | 25.60 | 0.350 |
| 23P | 11.00 | 17.20 | 12.10 | 0.350 | 51P | 25.00 | 31.20 | 26.10 | 0.350 |
| 24P | 11.50 | 17.70 | 12.60 | 0.350 | | | | | |



| | | | | | | | |
|--|--------------|-------------|------|---|--------|--------|--------|
| 燦達電子工業股份有限公司 JOINT TECH ELECTRONIC IND. CO., LTD. | | | | UNIT | SCALE | SHEET | TITLE: |
| | | | | mm | 1 : 1 | 1 of 3 | |
| DRAWN BY | | APPROVED BY | | 0.50mm PITCH FFC/FPC CONNECTOR 180° SMT TYPE, ZIF | | | |
| 權生新 | | 董正一 | | | | | |
| 2012.08.01 | | 2012.08.01 | | DRAW NO. : F0500WV-S-XPNXXXXXXXXX | | | |
| GENERAL TOLERANCE | | | | REV. A1 | | | |
| A1 | EN1507010002 | 2015.07.02 | 李志深 | X.X±0.25 | ANGLE± | | |
| A0 | NEW RELEASE | 2012.08.01 | 權生新 | X.XX±0.15 | | | |
| REV. | DESCRIPTION | DATE | NAME | X.XXX±0.05 | | | |