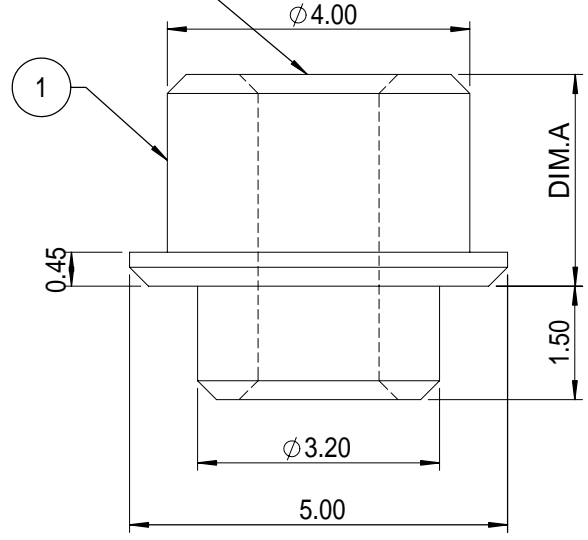


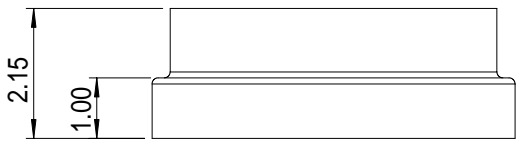
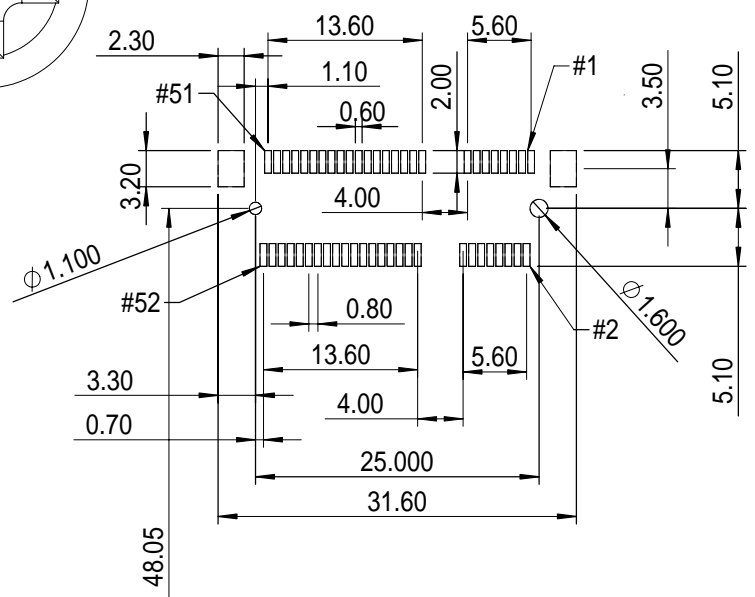
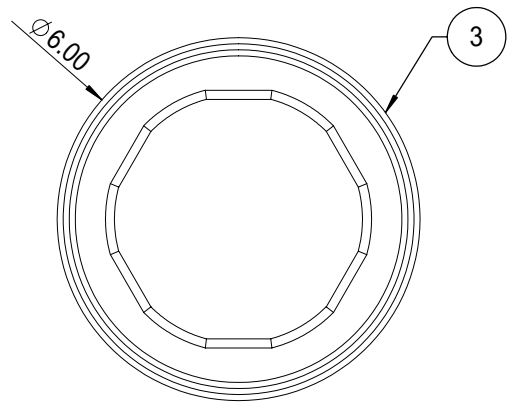
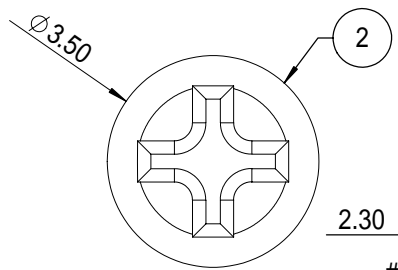
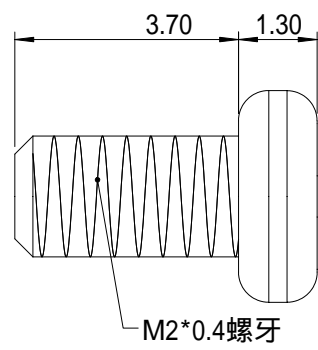
A B C D E F

組合面



NOTE:
 1. INSPECTION SYMBOL:
 : MANUFACTURER INSPECTION
 : Q.C INSPECTION
 2. REMARK:
 (1): HARDWARE
 (2): PLASTIC(OPTION)
 3. PLEASE REFER TO TABLE 1 FOR THE LENGTH STANDARDS.
 4. ACCORDING HSF CONCRRAFT LEVEL1
 TABLE 1

PART NO.	DIM. A ±0.10
071CCAAZ40B	1.60
071CCAAZ52B	2.80
071CCAAZ56B	3.20
071CCAAZ60B	3.60
071CCAAZ68B	4.40
071CCAAZ80B	5.60
071CCAAZ90B	6.60
071CCAAZ92B	6.80
071CCAAZ99B	7.50



PCB LAYOUT

				GENERAL TOLERANCE		DRAW: Roy	PART NO: 071CCAAZ □ □ B
				X. ±0.30	X.° ± 2.00°	CHECKED:	TITLE: MINI PCI EXPRESS ASSEMBLY OF FIXED
				.X ±0.20	.X° ± 1.00°		
				.XX ±0.10	.XX° ± 0.50°		
C	E080317A	Roy	11/04/2008	UNITS: mm	SHEET: 1 / 1	APPROVE: SEGA	DRAWING NO: 071CCAAZ □ □ B
B	E080051A	Roy	03/18/2008				
REV.	ECO NO.	DRAW	DATE				
MATERIAL:		FINISH:	DATE: 07 / 16 / 2008				



A B C D E F