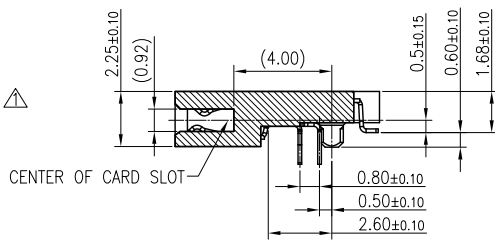
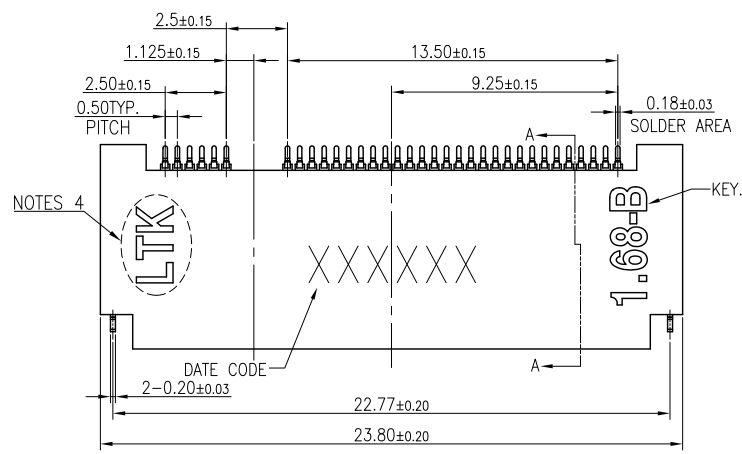
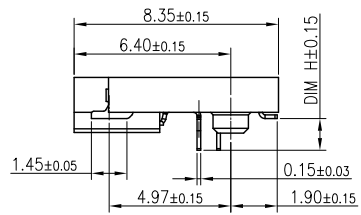
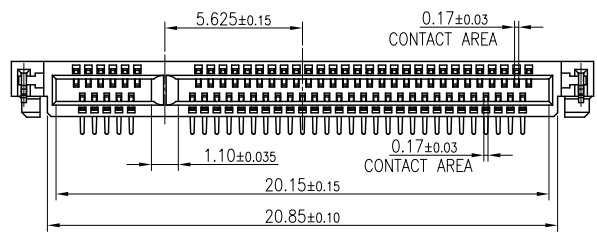


REV.	MODIFICATION	DATE	DRAW
A	INITIAL RELEASE	2016.06.12	Vincent

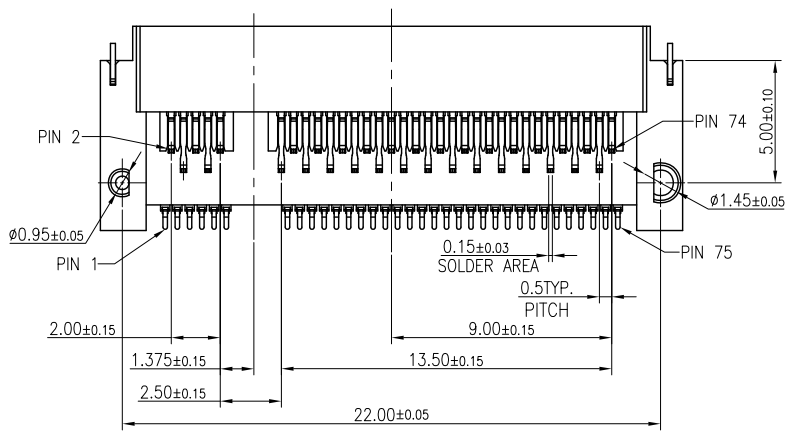
HALOGEN FREE **LEAD FREE**



SECTION A-A
SCALE 1:1



- NOTES:
- MATERIAL: HOUSING: THERMOPLASTIC, BLACK COLOR, FLAME RESISTANCE UL94-V0. CONTACT: COPPER ALLOY. SOLDER PEGS: COPPER ALLOY
 - FINISHED: CONTACTS: GOLD PLATING ON CONTACT AREA.(SEE P/N) 50~150u" TIN PLATING ON THE SOLDER AREA. 50~150u" NICKEL PLATING OVER ALL. SOLDER PEGS: 50~150u" TIN PLATING OVER 50~150u" NICKEL UNDERPLATED OVER ALL.
 - MSL LEVEL: MSL(MOISTURE SENSITIVITY LEVEL)=1.
 - PART NUMBER: NXSB0-M67XX-XX17X
 - F: REEL W:32.0mm
 - A: REEL W:44.0mm
 - 0: Number Zero
 - XX: CONTACT AREA GOLD PLATING
 - 01: GOLD FLASH
 - 05: 5U"Min.
 - 10: 10U"Min.
 - 15: 15U"Min.
 - 20: 20U"Min.
 - 30: 30U"Min.
 - No: Have LTK Logo
 - +: No LTK Logo
 - PACKING
 - P: TAPE REEL(NORMAL DIRECTION)
 - S: TAPE REEL(REVERSE DIRECTION)
 - T: DIM H =1.30mm
 - 1: DIM H =0.60mm



LINKTEK

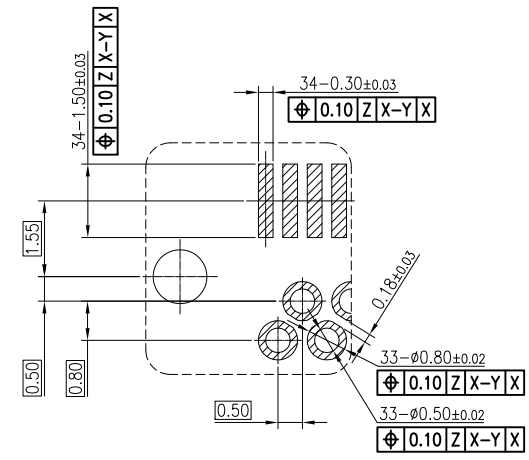
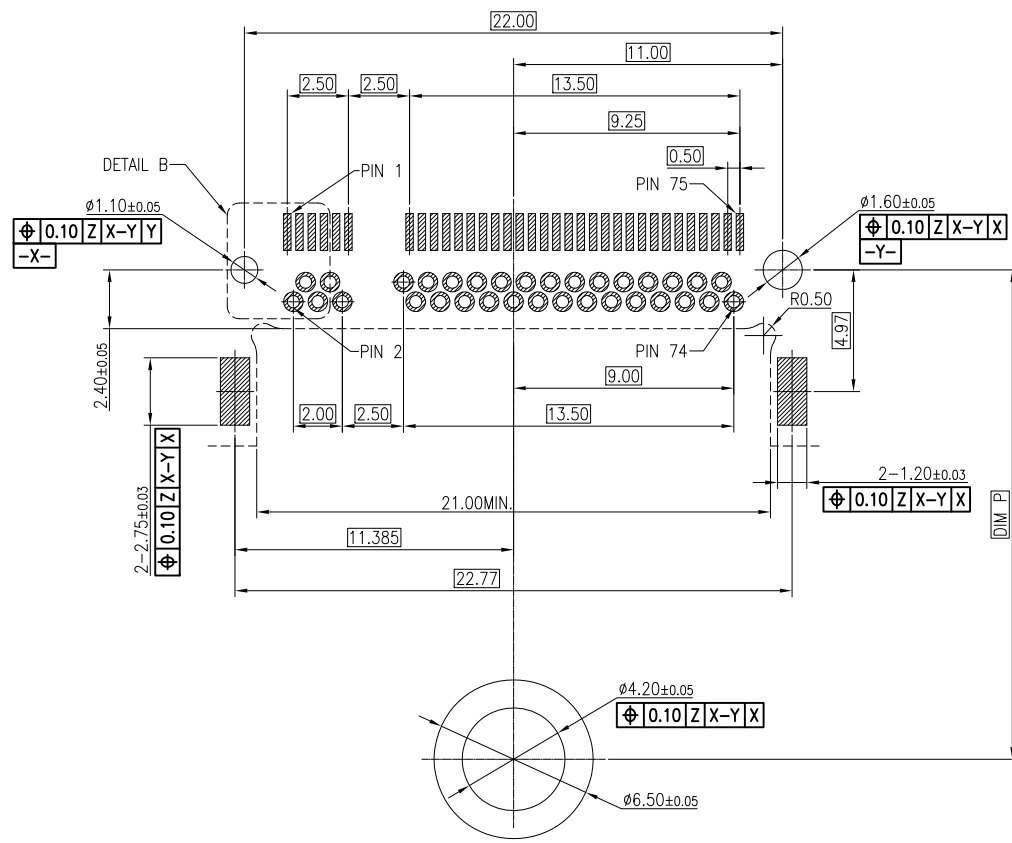
DIMENSION IN mm [Inch]		PROD. SPEC. SP-NXXXXL2	ARGOSY RESEARCH INC.		
TOLERANCE UNLESS OTHERWISE SPECIFIED		PKG. SPEC. PK-NXSXX-XXX			
.X±0.35	X.*± 1*	APR. Tony 2016.06.12	TITLE: M2(NGFF) CARD CONNECTOR SINKING B KEY 1.68H		
.XX±0.25	.X.*±	CHK. Leon 2016.06.12	FILE NO. ARG-301-009	DWG NO. NXSB0-M67XX-XX17X	
.XXX±	.XX.*±	DRA. Vincent 2016.06.12	PROJ.	CUSTOMER DRAWING	
SIZE A4		SCALE 1:1	SHEET 1/3	REV. A	C

REV.	MODIFICATION	DATE	DRAW
A	INITIAL RELEASE	2016.06.12	Vincent

HALOGEN FREE **LEAD FREE**

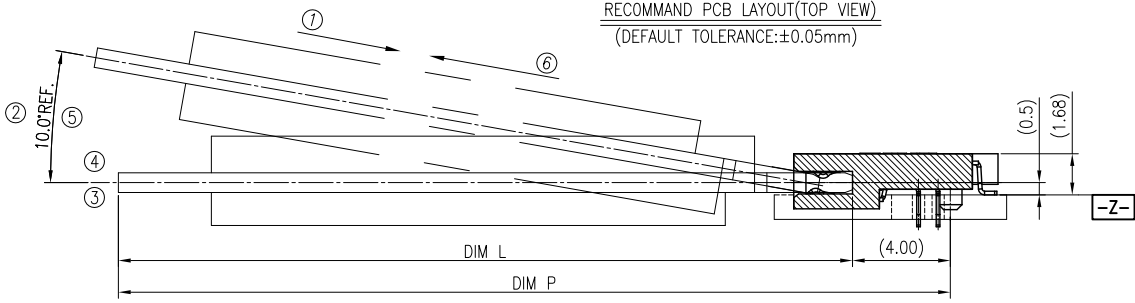
A
B
C
D
E
F

A
B
C
D
E
F



DETAIL B
SCALE 2:1

RECOMMEND PCB LAYOUT (TOP VIEW)
(DEFAULT TOLERANCE: ±0.05mm)



HOW TO MATE AND UNMATE

MATING: ① INITIAL INSERTING (10°) → ② ROTATING → ③ FIXED
UNMATING: ④ UNFIXED → ⑤ ROTATING → ⑥ WITHDRAWING

LINKTEK

DIMENSION IN mm [Inch]		PROD. SPEC.
		SP-NXXXXL2
TOLERANCE UNLESS OTHERWISE SPECIFIED		PKG. SPEC.
		PK-NXSXX-XXX
.X±0.35	X.*± 1*	APR. Tony 2016.06.12
.XX±0.25	.X.*±	CHK. Leon 2016.06.12
.XXX±	.XX.*±	DRA. Vincent 2016.06.12

ARGOSY RESEARCH INC.

TITLE: M2(NGFF) CARD CONNECTOR SINKING B KEY 1.68H

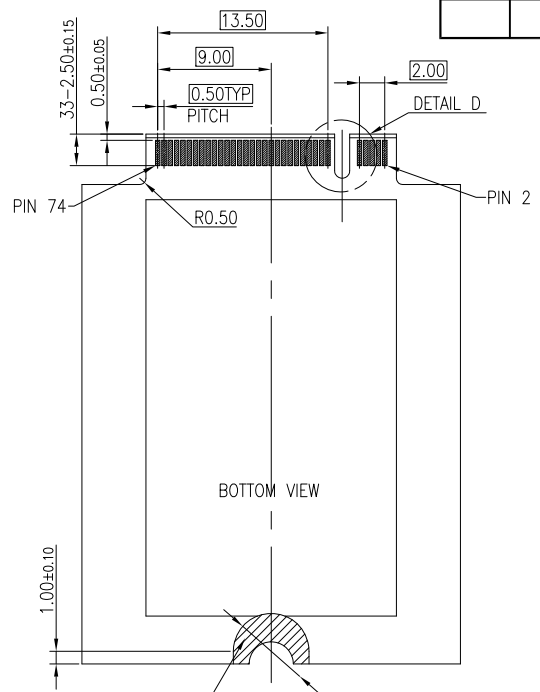
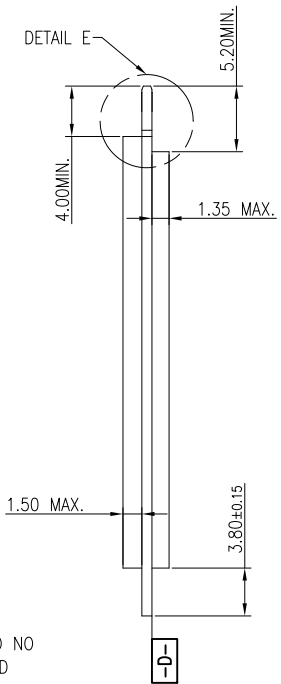
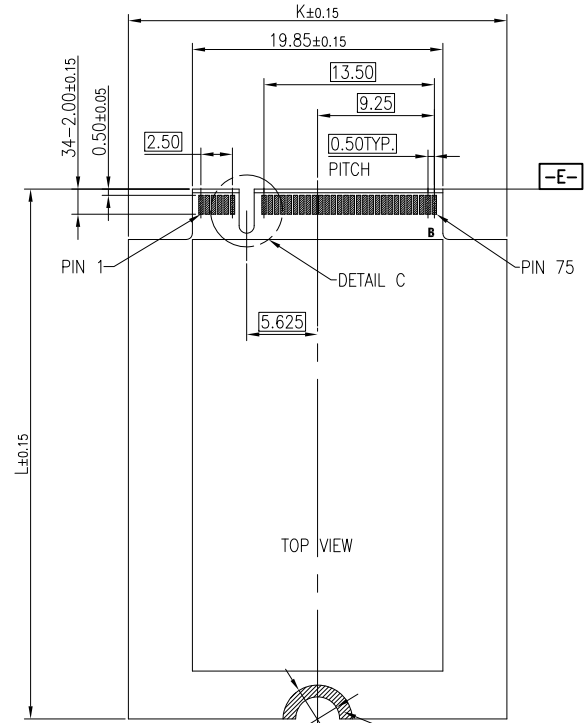
FILE NO. ARG-301-009	DWG NO. NXSBO-M67XX-XX17X
PROJ.	CUSTOMER DRAWING
SIZE A4	SCALE 1:1
SHEET 2/3	REV. A C

REV.	MODIFICATION	DATE	DRAW
A	INITIAL RELEASE	2016.06.12	Vincent

HALOGEN FREE LEAD FREE

A
B
C
D
E
F

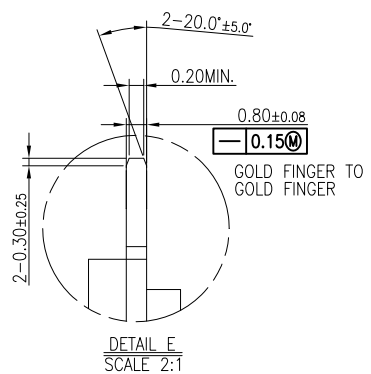
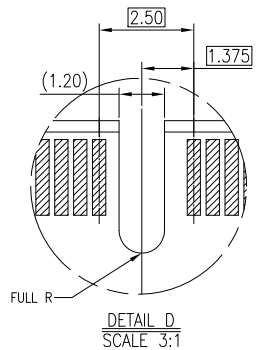
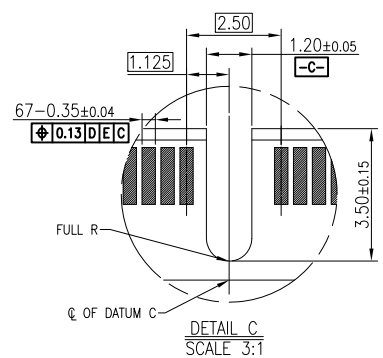
A
B
C
D
E
F



MECHANICAL GND PAD NO COMPONENTS ALLOWED

MECHANICAL GND PAD NO COMPONENTS ALLOWED

30.00	110.00	114.00
	80.00	84.00
	60.00	64.00
22.00	42.00	46.00
	30.00	34.00
DIM. K	DIM. L	DIM. P



LINKTEK

DIMENSION IN mm [Inch]	PROD. SPEC. SP-NXXXXL2
TOLERANCE UNLESS OTHERWISE SPECIFIED	PKG. SPEC. PK-NXSXX-XXX
.X±0.35	X.*± 1°
.XX±0.25	.X.*±
.XXX±	.XX.*±
	APR. Tony 2016.06.12
	CHK. Leon 2016.06.12
	DRA. Vincent 2016.06.12

ARGOSY RESEARCH INC.

TITLE: M2(NGFF) CARD CONNECTOR SINKING B KEY 1.68H

FILE NO. ARG-301-009 DWG NO. NXSBO-M67XX-XX17X

PROJ. CUSTOMER DRAWING

SIZE A4 SCALE 1:1 SHEET 3/3 REV. A C