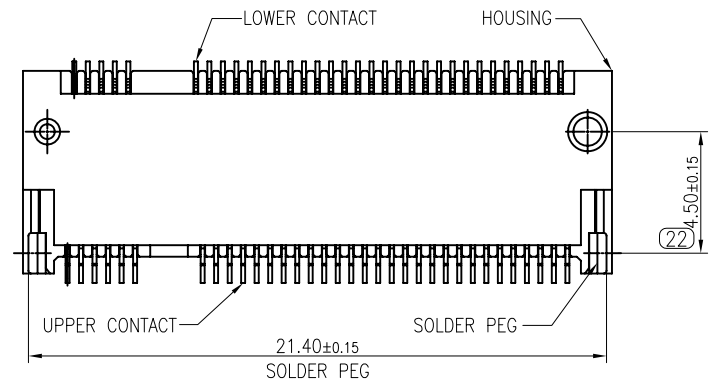
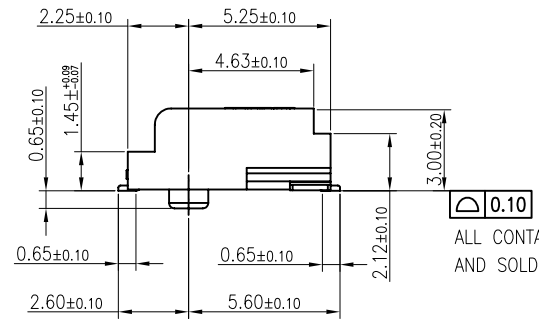
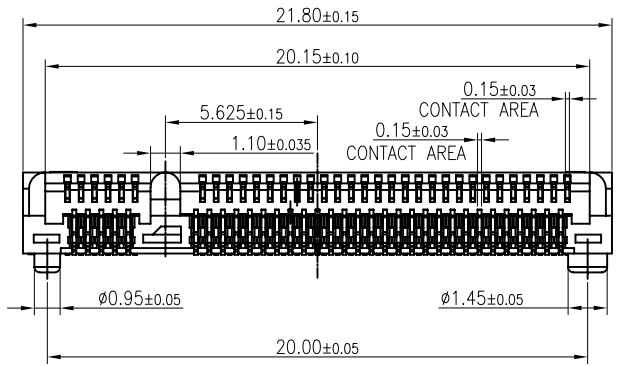
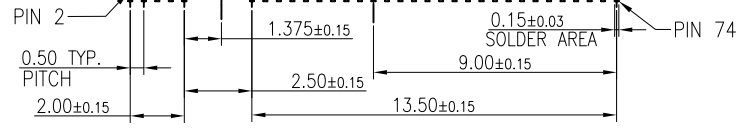
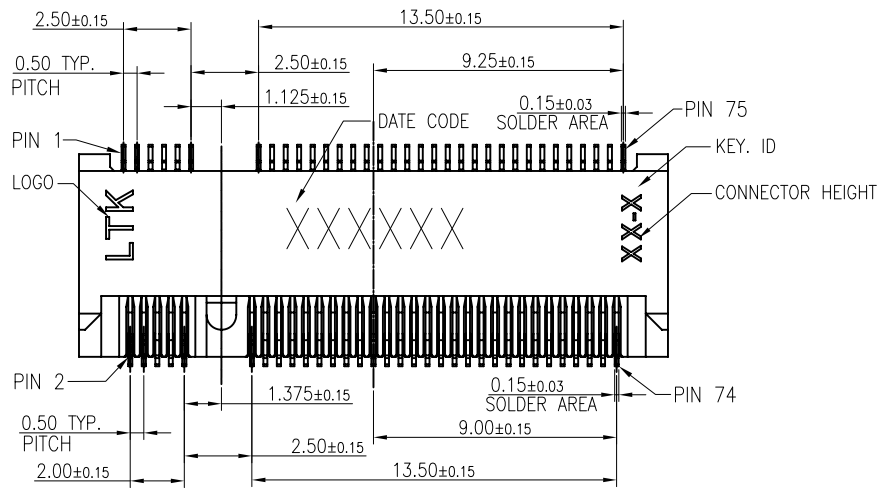


REV.	MODIFICATION	DATE	DRAW
A	INITIAL RELEASE	2013.07.25	Coco

HALOGEN FREE LEAD FREE

- NOTES:
- MATERIAL:
 - HOUSING: THERMOPLASTIC, BLACK COLOR, FLAME RESISTANCE UL94-V0.
 - CONTACT: COPPER ALLOY.
 - SOLDER PEGS: COPPER ALLOY
 - FINISHED:
 - CONTACTS: GOLD PLATING ON CONTACT AREA.(SEE P/N)
1u~3u" Au ON THE SOLDER AREA.
50~150u" NICKEL PLATING OVER ALL.
 - SOLDER PEGS: 50~150u" MATTE TIN PLATING OVER ALL.
50~150u" NICKEL UNDER PLATED OVER ALL.
 - MSL LEVEL:
 - MSL(MOISTURE SENSITIVITY LEVEL)=1.
 - PART NUMBER:
 - NXSB0-S67XX-XXH4
 - F: REEL W:32.0mm
 - A: REEL W:44.0mm
 - XX: CONNECTOR HEIGHT
H4: 3.00mm
 - XX:CONTACT AREA
GOLD PLATING
 - TR:TRAY
 - TP:TAPE REEL
 - TS:TAPE REEL
(REVERSE DIRECTION)
 - 01:Gold Flash
 - 05:5U" Min.
 - 10:10U"Min.
 - 15:15U"Min.
 - 20:20U"Min.
 - 30:30U"Min.

A
B
C
D
E
F

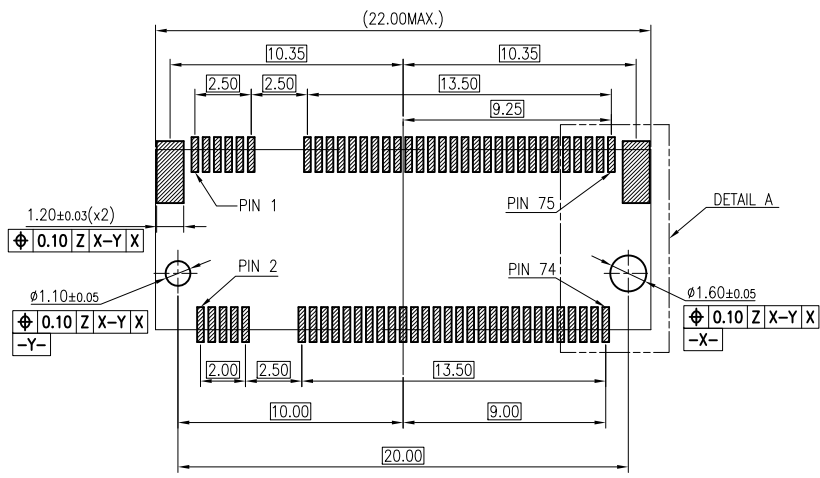


LINKTEK

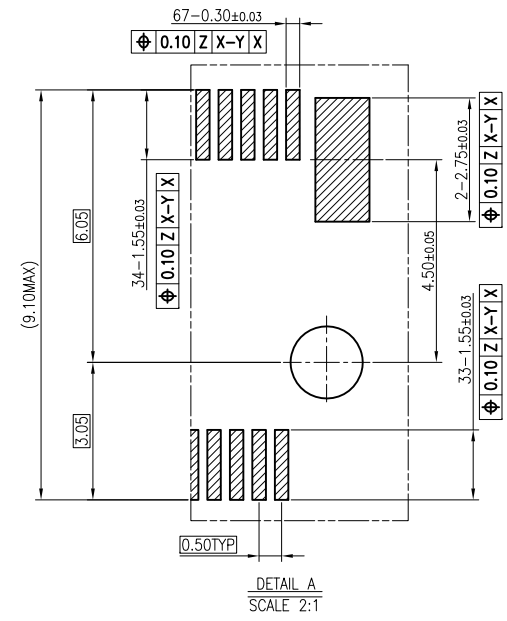
DIMENSION IN mm [Inch]		PROD. SPEC. SP-NFXXXL1	ARGOSY RESEARCH INC.		
TOLERANCE UNLESS OTHERWISE SPECIFIED		PKG. SPEC. N/A			
.X±0.35	X.*± 1*	APR. Tony 2013.07.25	TITLE: M.2(NGFF) CARD CONNECTOR B KEY 3.0H		
.XX±0.25	.X.*±	CHK. Andy 2013.07.25	FILE NO. ARG-156	DWG NO. NXSB0-S67XX-XXH4	
.XXX±	.XX.*±	DRA. Coco 2013.07.25	PROJ.		CUSTOMER DRAWING
			SIZE A4	SCALE 1:1	SHEET 1/3
			REV. A	C	

REV.	MODIFICATION	DATE	DRAW
A	INITIAL RELEASE	2013.07.25	Coco

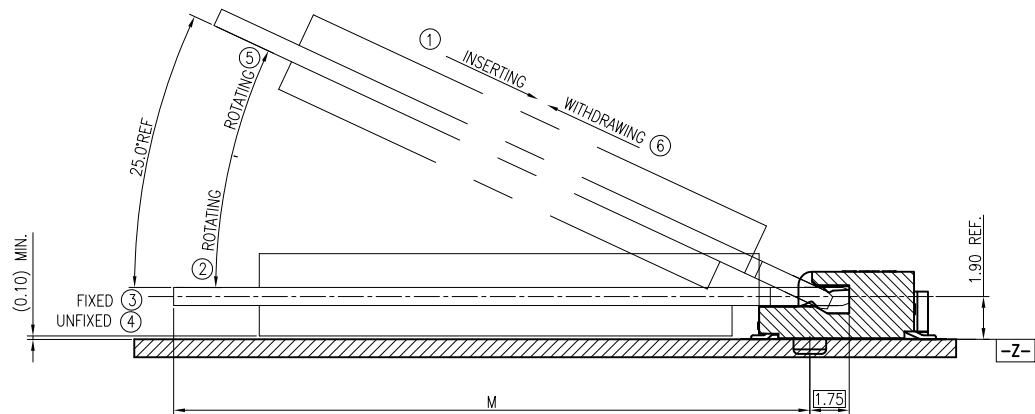
HALOGEN FREE LEAD FREE



RECOMMEND PCB LAYOUT (TOP VIEW)
(DEFAULT TOLERANCE: ±0.05mm)



DETAIL A
SCALE 2:1



MODULE SEATING PLANT TO ALIGNMENT POST

HOW TO MATE AND UNMATE

MATE: ① INSERTING → ② ROTATING → ③ FIXED

UNMATING: ④ UNFIXED → ⑤ ROTATING → ⑥ WITHDRAWING

LINKTEK

DIMENSION IN mm [Inch]		PROD. SPEC. SP-NFXXL1	ARGOSY RESEARCH INC.	
TOLERANCE UNLESS OTHERWISE SPECIFIED		PKG. SPEC. N/A		
.X±0.35	X:± 1°	APR. Tony 2013.07.25	TITLE: M.2(NGFF) CARD CONNECTOR B KEY 3.0H	
.XX±0.25	.X°±	CHK. Andy 2013.07.25	FILE NO. ARG-156	DWG NO. NXSBO-S67XX-XXH4
.XXX±	.XX°±	DRA. Coco 2013.07.25	CUSTOMER DRAWING	
SIZE A4	SCALE 1:1	SHEET 2/3	REV. A	C

1 2 3 4 5 6 7 8

A

B

C

D

E

F

A

B

C

D

E

F

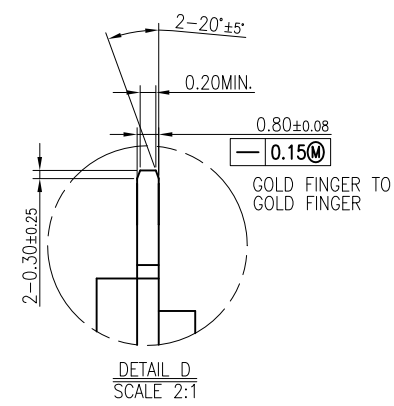
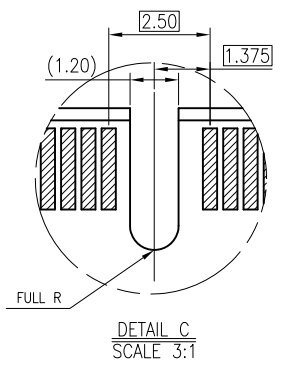
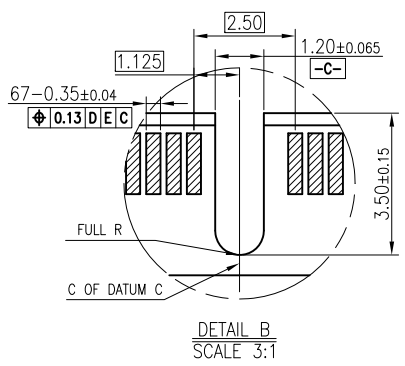
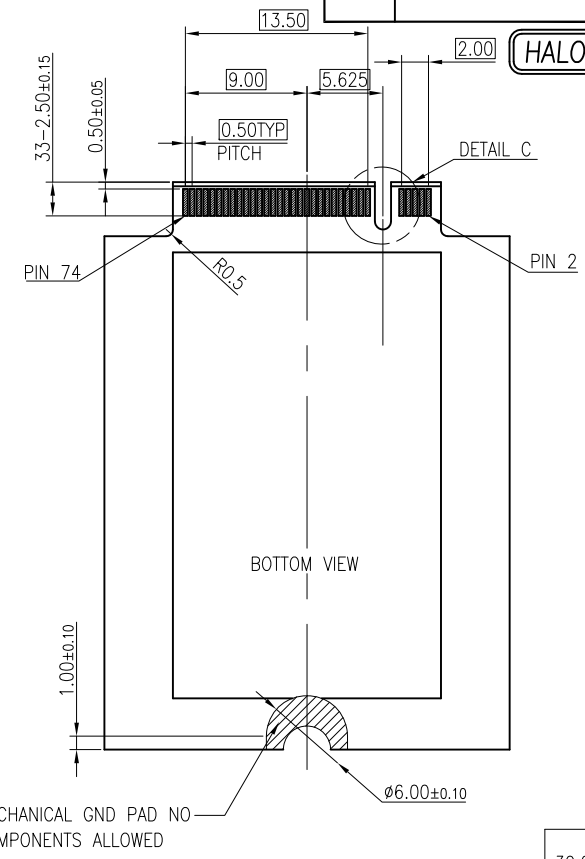
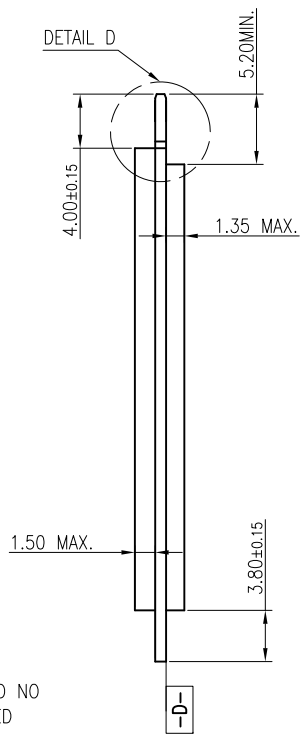
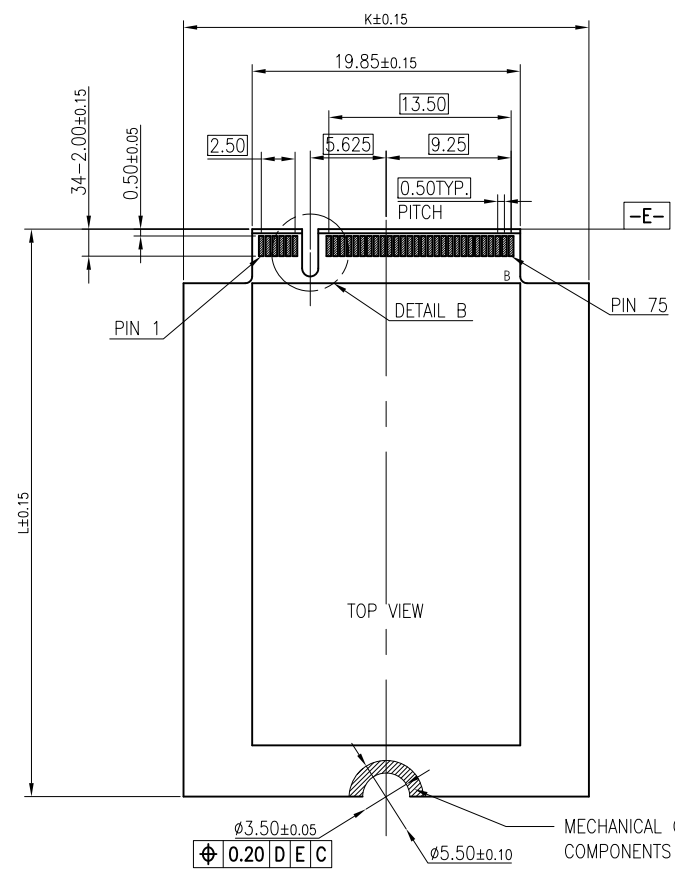
1 2 3 4 5 6 7 8 RD-102-15-01

REV.	MODIFICATION	DATE	DRAW
A	INITIAL RELEASE	2013.07.25	Coco

HALOGEN FREE **LEAD FREE**

A
B
C
D
E
F

A
B
C
D
E
F



30.00	110.00	108.25
	80.00	78.25
22.00	60.00	58.25
	42.00	40.25
	30.00	28.25
DIM. K	DIM. L	DIM. M

LINKTEK

DIMENSION IN mm [Inch]		PROD. SPEC.
TOLERANCE UNLESS OTHERWISE SPECIFIED		SP-NFXXXL1
.XX±0.35	X'± 1'	PKG. SPEC. N/A
.XX±0.25	.X'±	APR. Tony 2013.07.25
.XXX±	.XX'±	CHK. Andy 2013.07.25
		DRA. Coco 2013.07.25

ARGOSY RESEARCH INC.

TITLE: M.2(NGFF) CARD CONNECTOR B KEY 3.0H

FILE NO. ARG-156 DWG NO. NXSBO-S67XX-XXH4

PROJ. CUSTOMER DRAWING

SIZE A4 SCALE 1:1 SHEET 3/3 REV. A C