



Low Power Stereo Audio DAC With Headphone Amplifier

GENERAL DESCRIPTION

ES8155 is a high performance, low power and low cost audio DAC. It consists of 2-ch DAC, headphone amplifier, digital sound effects, and analog mixing and gain functions.

The device uses advanced multi-bit delta-sigma modulation technique to convert data between digital and analog. The multi-bit delta-sigma modulators make the device with low sensitivity to clock jitter and low out of band noise.

FEATURES

DAC

- 24-bit, 8 kHz to 96 kHz sampling frequency
- 96 dB dynamic range, 96 dB signal to noise ratio, -83 dB THD+N
- 40 mW headphone amplifier, pop noise free, capless option
- Stereo enhancement
- 3-band fully parametric graphic equalizer
- Various analog output mixing and gains

Low Power

- 1.8V to 3.3V operation
- 7 mW playback

System

- I²C or SPI uC interface
- 256Fs, 384Fs, USB 12 MHz or 24 MHz
- Fractional PLL for wide range of system clocks
- Master or slave serial port
- I²S, Left Justified, Right Justified, DSP Mode

APPLICATIONS

- Cell phone
- GPS
- MP3, MP4, PMP
- Digital camera, camcorder
- Bluetooth
- Portable audio devices

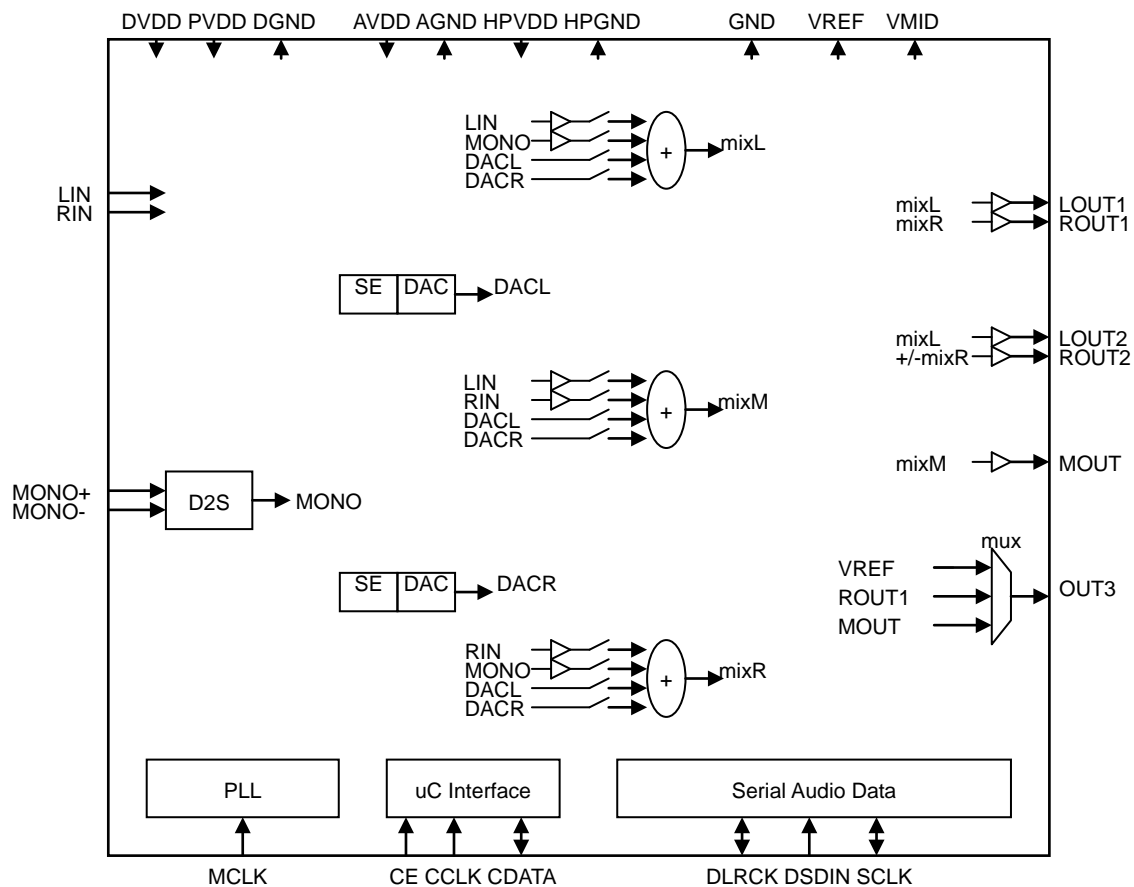
ORDERING INFORMATION

ES8155 -40°C ~ +85°C
QFN-28

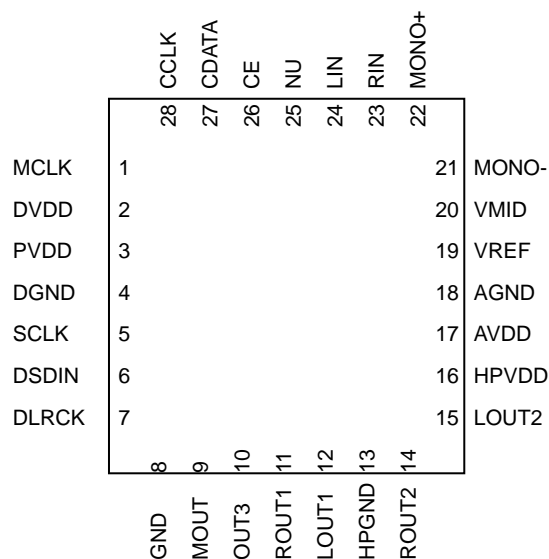
1	BLOCK DIAGRAM.....	4
2	28-PIN QFN AND PIN DESCRIPTIONS.....	5
3	TYPICAL APPLICATION CIRCUIT	6
4	CLOCK MODES AND SAMPLING FREQUENCIES.....	6
5	MICRO-CONTROLLER CONFIGURATION INTERFACE	9
5.1	SPI	9
5.2	2-wire	10
6	CONFIGURATION REGISTER DEFINITION	11
6.1	Output Setting	15
6.1.1	Register 0x00 – LOUT1 Volume, Default 0100 0000	15
6.1.2	Register 0x01 – ROUT1 Volume, Default 0100 0000.....	15
6.1.3	Register 0x02 – LOUT2 Volume, Default 0100 0000	15
6.1.4	Register 0x03 – ROUT2 Volume, Default 0100 0000.....	16
6.1.5	Register 0x04 – MOUT Volume, Default 0100 0000	16
6.1.6	Register 0x05 – Out Control 1, Default 0100 0000.....	16
6.1.7	Register 0x06 – Out Control 2, Default 0000 0000.....	17
6.2	Mixer Setting	17
6.2.1	Register 0x07 – Left Mixer, Default 1111 1111	17
6.2.2	Register 0x08 – Right Mixer, Default 1111 1111.....	18
6.2.3	Register 0x09 – Mono Mixer, Default 1111 1111	18
6.2.4	Register 0x0A – DAC to Mixer, Default 1011 1111.....	19
6.2.5	Register 0x0B – Mixer LP Mode, Default 0000 0000	19
6.3	DAC Setting.....	19
6.3.1	Register 0x0C – Left DAC Volume, Default 1100 0000	19
6.3.2	Register 0x0D – Right DAC Volume, Default 1100 0000.....	20
6.3.3	Register 0x0E – DAC Control 1, Default 0101 0101	20
6.3.4	Register 0x0F – DAC Control 2, Default 1100 0100.....	20
6.3.5	Register 0x10 DAC Control 3, Default 0000 1000.....	21
6.3.6	Register 0x11– DAC Control 4, Default 0000 0000	21
6.3.7	Register 0x12– SHELIVING1_A[29:24], Default 0001 1111.....	21
6.3.8	Register 0x13– SHELIVING1_A[23:16], Default 1111 0111	21
6.3.9	Register 0x14– SHELIVING1_A[15:8], Default 1111 1101.....	21
6.3.10	Register 0x15– SHELIVING1_A[7:0], Default 1111 1111	21
6.3.11	Register 0x16– SHELIVING1_B[29:24], Default 0001 1111.....	21
6.3.12	Register 0x17– SHELIVING1_B[23:16], Default 1111 0111	22
6.3.13	Register 0x18– SHELIVING1_B[15:8], Default 1111 1101.....	22
6.3.14	Register 0x19– SHELIVING1_B[7:0], Default 1111 1111	22
6.3.15	Register 0x1A– SHELIVING2_A[29:24], Default 0001 1111	22
6.3.16	Register 0x1B SHELIVING2_A[23:16], Default 1111 0111.....	22
6.3.17	Register 0x1C– SHELIVING2_A[15:8], Default 1111 1101	22
6.3.18	Register 0x1D– SHELIVING2_A[7:0], Default 1111 1111.....	22
6.3.19	Register 0x1E– SHELIVING2_B[29:24], Default 0001 1111	22
6.3.20	Register 0x1F– SHELIVING2_B[23:16], Default 1111 0111	22

6.3.21	Register 0x20– SHELIVING2_B[15:8], Default 1111 1101	22
6.3.22	Register 0x21 – SHELIVING2_B[7:0], Default 1111 1111	22
6.3.23	Register 0x22 – SHELIVING3_A[29:24], Default 0001 1111.....	23
6.3.24	Register 0x23 – SHELIVING3_A[23:16], Default 1111 0111	23
6.3.25	Register 0x24 – SHELIVING3_A[15:8], Default 1111 1101	23
6.3.26	Register 0x25 – SHELIVING3_A[7:0], Default 1111 1111	23
6.3.27	Register 0x26 – SHELIVING3_B[29:24], Default 0001 1111.....	23
6.3.28	Register 0x27 – SHELIVING3_B[23:16], Default 1111 0111	23
6.3.29	Register 0x28 – SHELIVING3_B[15:8], Default 1111 1101.....	23
6.3.30	Register 0x29 – SHELIVING3_B[7:0], Default 1111 1111	23
6.4	Digital Audio Interface Setting	23
6.4.1	Register 0x2A – Digital Audio Interface 1, Default 0000 0000	23
6.4.2	Register 0x2B – Digital Audio Interface 2, Default 0000 0001	24
6.4.3	Register 0x2C – Digital Audio Sample Rate, Default 0000 0110	24
6.4.4	Register 0x2D – SCLK Divider, Default 0000 0000	25
6.5	Reference Setting.....	25
6.5.1	Register 0x2E – Control Port Registers Reset, Default 0000 0000 25	
6.5.2	Register 0x2F – Power Down Control, Default 0000 1100	26
6.5.3	Register 0x30 – Reference 1, Default 0000 0000	26
6.5.4	Register 0x31 – Reference 2, Default 0010 1000	26
6.5.5	Register 0x32 – Reference 3, Default 0011 0100.....	26
6.5.6	Register 0x33 – Reference 4, Default 1111 1100	27
6.5.7	Register 0x34 – Reference 5, Default 0101 0101	27
6.5.8	Register 0x35 – Reference 6, Default 0000 0101	27
6.6	PLL Setting	27
6.6.1	Register 0x36 – PLL Control 1, Default 0000 1000	27
6.6.2	Register 0x37 – PLL Control 2, Default 0000 0000	27
6.6.3	Register 0x38 – PLL Control 3, Default 0000 0000	28
6.6.4	Register 0x39 – PLL_K[21:16], Default 0000 0000	28
6.6.5	Register 0x3A – PLL_K[15:8], Default 0000 0000	28
6.6.6	Register 0x3B – PLL_K[7:0], Default 0000 0000.....	28
7	Digital Audio Interface.....	28
8	ELECTRICAL CHARACTERISTICS	29
8.1	Absolute Maximum Ratings.....	29
8.2	Recommended Operating Conditions	30
8.3	DAC Analog and Filter Characteristics and Specifications	30
8.4	Power Consumption Characteristics	31
8.5	Serial Audio Port Switching Specifications	31
8.6	Serial Control Port Switching Specifications.....	31
9	PACKAGE INFORMATION.....	33
10	CORPORATION INFORMATION	33

1 BLOCK DIAGRAM



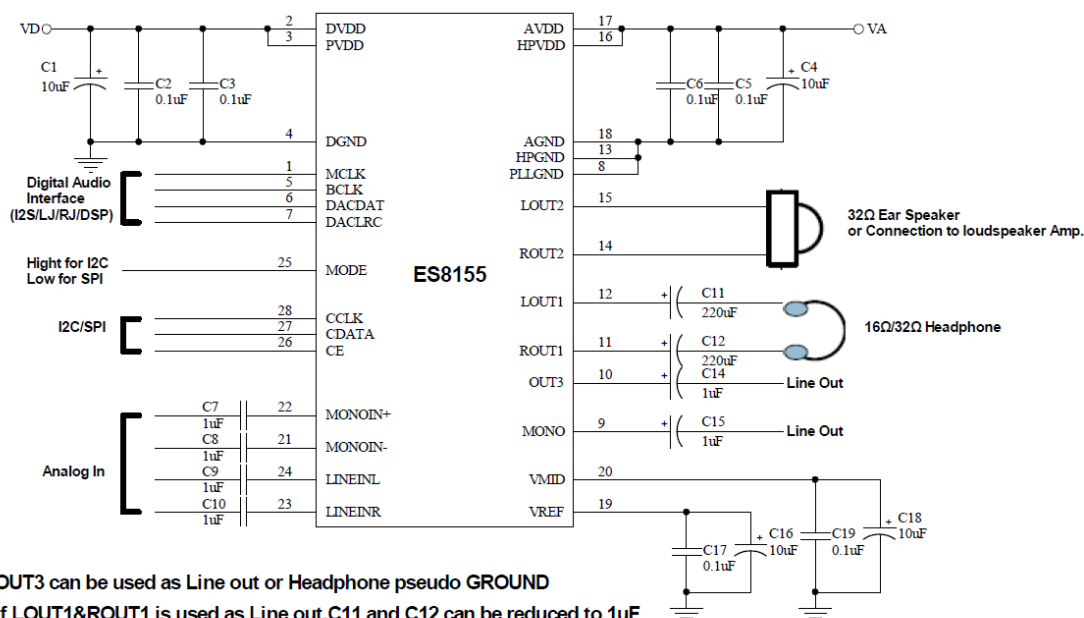
2 28-PIN QFN AND PIN DESCRIPTIONS



PIN	NAME	I/O	DESCRIPTION
1	MCLK	I	Master clock
2	DVDD	Supply	Digital core supply
3	PVDD	Supply	Digital IO supply
4	DGND	Supply	Digital ground (return path for both DVDD and PVDD)
5	SCLK	I/O	Audio data bit clock
6	DSDIN	I	DAC audio data
7	DLRCK	I/O	DAC audio data left and right clock
8	GND	Supply	Ground or no connect
9	MOUT	O	Mono output
10	OUT3	O	Analog output 3 (can be used as headphone pseudo ground)
11	ROUT1	O	Right output 1 (line or speaker/headphone)
12	LOU1	O	Left output 1 (line or speaker/headphone)
13	HPGND	Supply	Ground for analog output drivers (LOUT1/2, ROUT1/2)
14	ROUT2	O	Right output 2 (line or speaker/headphone)
15	LOU2	O	Left output 2 (line or speaker/headphone)
16	HPVDD	Supply	Supply for analog output drivers (LOUT1/2, ROUT1/2)
17	AVDD	Supply	Analog supply
18	AGND	Supply	Analog ground
19	VREF	O	Decoupling capacitor
20	VMID	O	Decoupling capacitor
21	MONO-	I	Mono input (negative side)
22	MONO+	I	Mono input (positive side)
23	RIN	I	Right channel input
24	LIN	I	Left channel input

25	NU		Not used by chip (arbitrary connection)
26	CE	I	Control select or device address selection
27	CDATA	I/O	Control data input or output
28	CCLK	I	Control clock input

3 TYPICAL APPLICATION CIRCUIT



OUT3 can be used as Line out or Headphone pseudo GROUND
 If LOU1&ROU1 is used as Line out, C11 and C12 can be reduced to 1uF
 LOU2 and ROU2 can be used to drive Headphone or Line out like LOU1&ROU1

4 CLOCK MODES AND SAMPLING FREQUENCIES

According to the input serial audio data sampling frequency, the device can work in two speed modes: single speed or double speed. The ranges of the sampling frequency in these two modes are listed in Table 1. The device can work either in master clock mode or slave clock mode.

In slave mode, LRCK and SCLK are supplied externally. LRCK and SCLK must be synchronously derived from the system clock with specific rates. The device can auto detect MCLK/LRCK ratio according to Table 1. The device only supports the MCLK/LRCK ratios listed in Table 1. The LRCK/SCLK ratio is normally 64.

Table 1 Slave Mode Sampling Frequencies and MCLK/LRCK Ratio

Speed Mode	Sampling Frequency	MCLK/LRCK Ratio
Single Speed	8kHz – 50kHz	256, 384, 512, 768, 1024
Double Speed	50kHz – 100kHz	128, 192, 256, 384, 512

In master mode, LRCK and SCLK are derived internally from MCLK. The available MCLK/LRCK ratios and SCLK/LRCK ratios are listed in Table 2.

Table 2 Master Mode Sampling Frequencies and MCLK/LRCK Ratio

MCLK CLKDIV2=0	MCLK CLKDIV2=1	DAC Sample Rate (DLRCK)	DACFsRatio [4:0]	SCLK Ratio
Normal Mode				
12.288 MHz	24.576MHz	8 kHz (MCLK/1536)	01010	MCLK/6
		48 kHz (MCLK/256)	00010	MCLK/4
		12 kHz (MCLK/1024)	00111	MCLK/4
		16 kHz (MCLK/768)	00110	MCLK/6
		24 kHz (MCLK/512)	00100	MCLK/4
		32 kHz (MCLK/384)	00011	MCLK/6
		8 kHz (MCLK/1536)	01010	MCLK/4
		48 kHz (MCLK/256)	00010	MCLK/4
		96 kHz (MCLK/128)	00000	MCLK/2
11.2896 MHz	22.5792MHz	8.0182 kHz (MCLK/1408)	01001	MCLK/4
		44.1 kHz (MCLK/256)	00010	MCLK/4
		11.025 kHz (MCLK/1024)	00111	MCLK/4
		22.05 kHz (MCLK/512)	00100	MCLK/4
		8.0182 kHz (MCLK/1408)	01001	MCLK/4
		44.1 kHz (MCLK/256)	00010	MCLK/4
		88.2 kHz (MCLK/128)	00000	MCLK/2
18.432 MHz	36.864MHz	8 kHz (MCLK/2304)	01100	MCLK/6
		48 kHz (MCLK/384)	00011	MCLK/6
		12 kHz (MCLK/1536)	01010	MCLK/6
		16 kHz (MCLK/1152)	01000	MCLK/6
		24 kHz (MCLK/768)	00110	MCLK/6
		32 kHz (MCLK/576)	00101	MCLK/6
		8 kHz (MCLK/2304)	01100	MCLK/6
		48 kHz (MCLK/384)	00011	MCLK/6
		96 kHz (MCLK/192)	00001	MCLK/3
16.9344 MHz	33.8688MHz	8.0182 kHz (MCLK/2112)	01011	MCLK/6
		44.1 kHz (MCLK/384)	00011	MCLK/6
		11.025 kHz (MCLK/1536)	01010	MCLK/6
		22.05 kHz (MCLK/768)	00110	MCLK/6
		8.0182 kHz (MCLK/2112)	01011	MCLK/6
		44.1 kHz (MCLK/384)	00011	MCLK/6
		88.2 kHz (MCLK/192)	00001	MCLK/3
USB Mode				
12 MHz	24MHz	8 kHz (MCLK/1500)	11011	MCLK
		48 kHz (MCLK/250)	10010	MCLK
		8.0214 kHz (MCLK/1496)	11010	MCLK
		44.118 kHz (MCLK/272)	10011	MCLK
		11.0259 kHz (MCLK/1088)	11001	MCLK

	12 kHz (MCLK/1000)	11000	MCLK
	16 kHz (MCLK/750)	10111	MCLK
	22.0588 kHz (MCLK/544)	10110	MCLK
	24 kHz (MCLK/500)	10101	MCLK
	32 kHz (MCLK/375)	10100*	MCLK
	8.0214 kHz (MCLK/1496)	11010	MCLK
	44.118 kHz (MCLK/272)	10011	MCLK
	8 kHz (MCLK/1500)	11011	MCLK
	48 kHz (MCLK/250)	10010	MCLK
	88.235 kHz (MCLK/136)	10001	MCLK
	96 kHz (MCLK/125)	10000	MCLK

ES8155 has a high performance fractional-N PLL. PLL can be used for non-standard MCLK to generate standard internal master clock, for example 12.288 MHz for 48 kHz sampling frequency or 11.2896 MHz for 44.1 kHz sampling frequency. By default, PLL is in power down and reset, and the internal master clock uses MCLK clock from pin directly. The following table shows the PLL setting (MCLKDIV2, PLL_N, PLL_K and PLLOUT_DIV2) for typical non-standard MCLK to generate standard internal master clock.

MCLK (MHz)	Internal Master Clock (MHz)	F2 (MHz)	MCLKDIV2	PLLOUT_DIV2	R	N	f (*0.6574)	PLL_N	PLL_K
11.91	11.2896	90.3168	0	1	7.5833	7	0.3834	7	1889F9
11.91	12.288	98.304	0	1	8.2539	8	0.1669	8	AAE98
12	11.2896	90.3168	0	1	7.5264	7	0.3460	7	16256D
12	12.288	98.304	0	1	8.192	8	0.1262	8	813E0
13	11.2896	90.3168	0	1	6.9474	6	0.6228	6	27DC2B
13	12.288	98.304	0	1	7.5618	7	0.3693	7	17A330
14.4	11.2896	90.3168	0	1	6.272	6	0.1788	6	B717D
14.4	12.288	98.304	0	1	6.8267	6	0.5434	6	22C75A
19.2	11.2896	90.3168	1	1	9.408	9	0.2682	9	112A3C
19.2	12.288	98.304	1	1	10.24	10	0.1578	A	A18D8
19.68	11.2896	90.3168	1	1	9.1785	9	0.1173	9	782DF
19.68	12.288	98.304	1	1	9.9902	9	0.6509	9	29A91C
19.8	11.2896	90.3168	1	1	9.1229	9	0.0808	9	52BC1
19.8	12.288	98.304	1	1	9.9297	9	0.6111	9	271D02
24	11.2896	90.3168	1	1	7.5264	7	0.3460	7	16256D
24	12.288	98.304	1	1	8.192	8	0.1262	8	813E0
26	11.2896	90.3168	1	1	6.9474	6	0.6228	6	27DC2B
26	12.288	98.304	1	1	7.5618	7	0.3693	7	17A330
27	11.2896	90.3168	1	1	6.6901	6	0.4536	6	1D08DD

27	12.288	98.304	1	1	7.2818	7	0.1852	7	BDACC
----	--------	--------	---	---	--------	---	--------	---	-------

5 MICRO-CONTROLLER CONFIGURATION INTERFACE

The device supports standard SPI and 2-wire micro-controller configuration interface. External micro-controller can completely configure the device through writing to internal configuration registers. Please see section 8 for the details of configuration register definition.

The identical device pins are used to configure either SPI or 2-wire interface. In SPI mode, pin CE, CCLK and CDATA function as SPI_CS_n, SPI_CLK and SPI_DIN. In 2-wire mode, pin CE, CCLK and CDATA function as AD₀, SCL and SDA. To select SPI mode, apply high to low transition signal to CE pin. Otherwise the device will operate in 2-wire interface mode.

5.1 SPI

ES8155 has a SPI (Serial Peripheral Interface) compliant synchronous serial slave controller inside the chip. It provides the ability to allow the external master SPI controller to access the internal registers, and thus control the operations of chip.

All lines on the SPI bus are unidirectional: The SPI_CLK is generated by the master controller and is primarily used to synchronize data transfer, the SPI_DIN line carries data from the master to the slave; SPI_CS_n is generated by the master to select ES8155.

The timing diagram of this interface is given in Figure 1. The high to low transition at SPI_CS_n pin indicates the SPI interface selected. Each writes procedure contains 3 words, i.e. Chip Address plus R/W bit, internal register address and internal register data. Every word length is fixed at 8 bits. The input SPI_DIN data are sampled at the rising edge of SPI_CLK clock. The MSB bit in each word is transferred firstly. The transfer rate can be up to 10M bps.

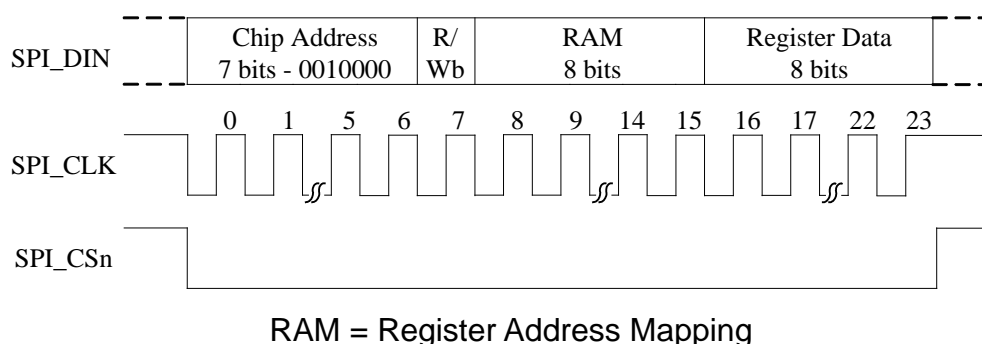


Figure 1 SPI Configuration Interface Timing Diagram

5.2 2-wire

2-wire interface is a bi-directional serial bus that uses a serial data line (SDA) and a serial clock line (SCL) for data transfer. The timing diagram for data transfer of this interface is given in Figure 2. Data are transmitted synchronously to SCL clock on the SDA line on a byte-by-byte basis. Each bit in a byte is sampled during SCL high with MSB bit being transmitted firstly. Each transferred byte is followed by an acknowledge bit from receiver to pull the SDA low. The transfer rate of this interface can be up to 100k bps.

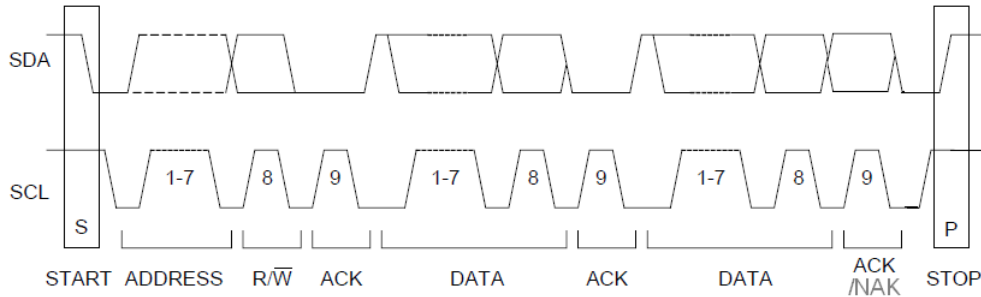


Figure 2 Complete Data Transfer for 2-wire Interface

A master controller initiates the transmission by sending a “start” signal, which is defined as a high-to-low transition at SDA while SCL is high. The first byte transferred is the slave address. It is a seven-bit chip address followed by a RW bit. The chip address must be 001000x, where x equals AD0 (pin CE). The RW bit indicates the slave data transfer direction. Once an acknowledge bit is received, the data transfer starts to proceed on a byte-by-byte basis in the direction specified by the RW bit. The master can terminate the communication by generating a “stop” signal, which is defined as a low-to-high transition at SDA while SCL is high.

In 2-wire interface mode, the registers can be written and read. The formats of “write” and “read” instructions are shown in Table 3 and Table 4. Please note that, to read data from a register, you must set R/W bit to 0 to access the register address and then set R/W to 1 to read data from the register. There are no acknowledge bit after data to be written or read, this is the only difference from the I²C protocol.

Table 3 Write Data to Register in 2-wire Interface Mode

Chip Address	R/W	Register Address	Data to be written
001000	AD0	0	ACK
			RAM
			ACK
			DATA

Table 4 Read Data from Register in 2-wire Interface Mode

Chip Address	R/W	Register Address	Data to be read
001000	AD0	0	ACK
			RAM
			ACK
			DATA

6 CONFIGURATION REGISTER DEFINITION

SPI and 2-wire configuration interface share the same registers because there is only one interface active at any time. There are total of 61 user programmable 8-bit registers in this device. These registers control the operations of DAC. External master controller can access these registers by using the slave address specified in RAM (Register Address Map) register as shown in the Table 5.

Table 5 Bit Content of Register Address Map

Adr		Name	Bit7	Bit6	Bit5	Bit4	Bit3	Bit2	Bit1	Bit0	default	
0	Output Setting	LOUT1 Volume	LP_OUT1	PDN_LOUT1	LOUT1VOL						40	
1		ROUT1 Volume		PDN_ROUT1	ROUT1VOL						40	
2		LOUT2 Volume	LP_OUT2	PDN_LOUT2	LOUT2VOL						40	
3		ROUT2 Volume		PDN_ROUT2	ROUT2VOL						40	
4		MOUT Volume	LP_MOUT	PDN_MOUT	MOUTVOL						40	
5		OUT Control 1	LP_OUT3	PDN_OUT3	OUT3SW		LP_ROUT2INV	ROUT2INV				40
6		OUT Control 2							L2R2BOTH	L1R1BOTH		00
7	Mixer Setting	Left Mixer	LI2LOMU	LI2LOVOL		MI2LOMU	MI2LOVOL				FF	
8		Right Mixer	MI2ROMU	RI2ROVOL		RI2ROMU	MI2ROVOL				FF	
9		Mono Mixer	LI2MOMU	LI2MOVOL		RI2MOMU	RI2MOVOL				FF	
A		DAC to Mixer	PDN_MONODIFF	DMEN	LD2MOMU	RD2MOMU	LD2LOMU	RD2LOMU	LD2ROMU	RD2ROMU		BF
B		Mixer LP mode					LP_MONODIFF	LP_MMIX	LP_LMIX	LP_RMIX		00
C	DAC Setting	Left DAC Volume	DACLVOL								C0	
D		Right DAC Volume	DACRVOL								C0	
E		DAC Control	LP_DACL	PDN_DACL	LP_DACR	PDN_DACR		DACLUMU		DACRMU		55
F		DAC Control	AUTOMUTE	CLICKFREE	VPPSCALE		DACLRBOTH	DACSOFTRAMP	DACRAMPRATE			C4
10		DAC Control			DACINVL	DACINVR	DACTOEN	DACDAT				08
11		DAC Control			DACZEROL	DACZEROR	DACMONO	DACSE				00
12		Shelving1_A			SHV1_A[29:24]							1F
13					SHV1_A[23:16]							F7
14					SHV1_A[15:8]							FD
15				SHV1_A[7:0]							FF	

16				SHV1_B[29:24]					1F	
17		Shelving1_B		SHV1_B[23:16]					F7	
18				SHV1_B[15:8]					FD	
19				SHV1_B[7:0]					FF	
1A				SHV2_A[29:24]					1F	
1B		Shelving2_A		SHV2_A[23:16]					F7	
1C				SHV2_A[15:8]					FD	
1D				SHV2_A[7:0]					FF	
1E				SHV2_B[29:24]					1F	
1F		Shelving2_B		SHV2_B[23:16]					F7	
20				SHV2_B[15:8]					FD	
21				SHV2_B[7:0]					FF	
22				SHV3_A[29:24]					1F	
23		Shelving3_A		SHV3_A[23:16]					F7	
24				SHV3_A[15:8]					FD	
25				SHV3_A[7:0]					FF	
26				SHV3_B[29:24]					1F	
27		Shelving3_B		SHV3_B[23:16]					F7	
28				SHV3_B[15:8]					FD	
29				SHV3_B[7:0]					FF	
2A	Digital	Digital Interface	DACFORMAT	DACLRSWP		DACLRP	DACWL			00
2B	Audio	Digital Interface			MCLKDIV2		SCLKINV	FSLMODE	DACMSC	01
2C	I/F	Sample Rate					DACSR			06
2D	Setting	SCLK Divider					SCLKDIV			00
2E	Reference	Reset	RST_CP							00

2F	Setting	Power Down					PDN_ANA	PDN_DIG	PDN_FSM	PDN_DLL	0C	
30		Reference									SEQEN	00
31		Reference			ENREFR	VROI	VMIDSEL		VMIDLOW			28
32		Reference			PDN_VREFGEN	PDN_IBIASGEN	LP_DACVRP	LP_VREFBUF	PDN_VREFBUF	VREFR_LO		34
33		Reference	IBIASSW	VSEL								FC
34		Reference	MOUT_REF2	MOUT_REF1	OUT3_REF2	OUT3_REF1	OUT2_REF2	OUT2_REF1	OUT1_REF2	OUT1_REF1		55
35		Reference						MONO_REF2	MONO_REF1	MIX_REF2	MIX_REF1	05
36		PLL Setting	PLL Control	pdn	cp2	cp1	cp0	SupSel1	SupSel0	kvco1	kvco0	08
37	PLL Control					LP	MCLKSEL	PLLOUT_DIV2	PLL_RB	PLL_EN	00	
38	PLL Control			DITH_MAG			PLL_N				00	
39	PLL Control				PLL_K[21:16]						00	
3A	PLL Control		PLL_K[15:8]								00	
3B	PLL Control		PLL_K[7:0]								00	

6.1 Output Setting

6.1.1 Register 0x00 – LOUT1 Volume, Default 0100 0000

Bit Name	Bit	Description
LP_LOUT1	7	0 – normal (default) 1 – low power setting for LOUT1
PDN_LOUT1	6	0 – not power down 1 – power down LOUT1 (default)
LOUT1VOL	5:0	LOUT1 volume control 000000 – -45 dB (default) 000001 – -43.5 dB 000010 – -42 dB ... 011110 – 0 dB 011111 – 1.5 dB ... 100000 – 3 dB

6.1.2 Register 0x01 – ROUT1 Volume, Default 0100 0000

Bit Name	Bit	Description
LP_ROUT1	7	0 – normal (default) 1 – low power setting for ROUT1
PDN_ROUT1	6	0 – not power down 1 – power down ROUT1 (default)
ROUT1VOL	5:0	ROUT1 volume control 000000 – -45 dB (default) 000001 – -43.5 dB 000010 – -42 dB ... 011110 – 0 dB 011111 – 1.5 dB ... 100000 – 3 dB

6.1.3 Register 0x02 – LOUT2 Volume, Default 0100 0000

Bit Name	Bit	Description
LP_LOUT2	7	0 – normal (default) 1 – low power setting for LOUT2
PDN_LOUT2	6	0 – not power down 1 – power down LOUT2 (default)
LOUT2VOL	5:0	LOUT2 volume control 000000 – -45 dB (default) 000001 – -43.5 dB

		000010 – -42 dB
		...
		011110 – 0 dB
		011111 – 1.5 dB
		...
		100000 – 3 dB

6.1.4 Register 0x03 – ROUT2 Volume, Default 0100 0000

Bit Name	Bit	Description
LP_ROUT2	7	0 – normal (default) 1 – low power setting for ROUT2
PDN_ROUT2	6	0 – not power down 1 – power down ROUT2 (default)
ROUT2VOL	5:0	ROUT2 volume control 000000 – -45 dB (default) 000001 – -43.5 dB 000010 – -42 dB ... 011110 – 0 dB 011111 – 1.5 dB ... 100000 – 3 dB

6.1.5 Register 0x04 – MOUT Volume, Default 0100 0000

Bit Name	Bit	Description
LP_MOUT	7	0 – normal (default) 1 – low power setting for Mono Out
PDN_MOUT	6	0 – not power down 1 – power down mono out (default)
MOUTVOL	5:0	Mono Out volume control 000000 – -45 dB (default) 000001 – -43.5 dB 000010 – -42 dB ... 011110 – 0 dB 011111 – 1.5 dB ... 100000 – 3 dB

6.1.6 Register 0x05 – Out Control 1, Default 0100 0000

Bit Name	Bit	Description
LP_OUT3	7	0 – normal (default) 1 – low power setting for OUT3
PDN_OUT3	6	0 – not power down

		1 – power down OUT3 (default)
OUT3SW	5:4	OUT3 select 00 – VREF (default) 01 – ROUT1 signal 10 – MONOOUT 11 – Not Used
LP_ROUT2INV	3	0 – normal (default) 1 – low power setting for ROUT2INV
ROUT2INV	2	0 – no Inversion (default) 1 – ROUT2 signal inverted

6.1.7 Register 0x06 – Out Control 2, Default 0000 0000

Bit Name	Bit	Description
L2R2BOTH	1	1 – simultaneous load of LOUT2VOL and ROUT2VOL 0 – disable simultaneous load (default)
L1R1BOTH	0	1 – simultaneous load of LOUT1VOL and ROUT1VOL 0 – disable simultaneous load (default)

6.2 Mixer Setting

6.2.1 Register 0x07 – Left Mixer, Default 1111 1111

Bit Name	Bit	Description
LI2LOMU	7	1 – mute left line in to left out mixer (default) 0 – not mute
LI2LOVOL	6:4	Left line in to left out mixer volume control 000 – 6 dB 001 – 3 dB 010 – 0 dB 011 – -3 dB 100 – -6 dB 101 – -9 dB 110 – -12 dB 111 – -15 dB (default)
MI2LOMU	3	1 – mute microphone in to left out mixer (default) 0 – not mute
MI2LOVOL	2:0	Microphone in to left out mixer volume control 000 – 6 dB 001 – 3 dB 010 – 0 dB 011 – -3 dB 100 – -6 dB 101 – -9 dB 110 – -12 dB 111 – -15 dB (default)

6.2.2 Register 0x08 – Right Mixer, Default 1111 1111

Bit Name	Bit	Description
MI2ROMU	7	1 –mute microphone in to right out mixer (default) 0 – not mute
RI2ROVOL	6:4	Right line in to rights out mixer volume control 000 – 6 dB 001 – 3 dB 010 – 0 dB 011 – -3 dB 100 – -6 dB 101 – -9 dB 110 – -12 dB 111 – -15 dB (default)
RI2ROMU	3	1 – mute right line in to right out mixer (default) 0 – not mute
MI2ROVOL	2:0	Microphone in to right out mixer volume control 000 – 6 dB 001 – 3 dB 010 – 0 dB 011 – -3 dB 100 – -6 dB 101 – -9 dB 110 – -12 dB 111 – -15 dB (default)

6.2.3 Register 0x09 – Mono Mixer, Default 1111 1111

Bit Name	Bit	Description
LI2MOMU	7	1 – mute left line in to mono out mixer (default) 0 – not mute
LI2MOVOL	6:4	Left line in to mono out mixer volume control 000 – 6 dB 001 – 3 dB 010 – 0 dB 011 – -3 dB 100 – -6 dB 101 – -9 dB 110 – -12 dB 111 – -15 dB (default)
RI2MOMU	3	1 – mute right line in to mono out mixer (default) 0 – not mute
RI2MOVOL	2:0	Right line in to mono out mixer volume control 000 – 6 dB 001 – 3 dB

		010 – 0 dB 011 – -3 dB 100 – -6 dB 101 – -9 dB 110 – -12 dB 111 – -15 dB (default)
--	--	---

6.2.4 Register 0x0A – DAC to Mixer, Default 1011 1111

Bit Name	Bit	Description
PDN_MONODIFF	7	1 – power down mono differential input stage (default) 0 – not power down
DMEN	6	1 – mono differential line in enable 0 – single-ended line in from MONO+ (default)
LD2MOMU	5	1 – mute left DAC to mono out mixer (default) 0 – not Mute
RD2MOMU	4	1 – mute right DAC to mono out mixer (default) 0 – not mute
LD2LOMU	3	1 – mute left DAC to left out mixer (default) 0 – not mute
RD2LOMU	2	1 – mute right DAC to left out mixer (default) 0 – not mute
LD2ROMU	1	1 – mute left DAC to right out mixer (default) 0 – not mute
RD2ROMU	0	1 – mute right DAC to right out mixer (default) 0 – not mute

6.2.5 Register 0x0B – Mixer LP Mode, Default 0000 0000

Bit Name	Bit	Description
LP_MONODIFF	3	0 – normal (default) 1 – low power setting for mono differential input stage
LP_MMIX	2	0 – normal (default) 1 – low power setting for mono mixer
LP_LMIX	1	0 – normal (default) 1 – low power setting for left mixer
LP_RMIX	0	0 – normal (default) 1 – low power setting for right mixer

6.3 DAC Setting

6.3.1 Register 0x0C – Left DAC Volume, Default 1100 0000

Bit Name	Bit	Description
DACLVOL	7:0	Left DAC volume control 00000000 – 0 dB ... 0.5 dB/step

		11000000 – -127 dB (default)
--	--	------------------------------

6.3.2 Register 0x0D – Right DAC Volume, Default 1100 0000

Bit Name	Bit	Description
DACRVOL	7:0	Right DAC volume control 00000000 – 0 dB ... 0.5 dB/step 11000000 – -127 dB (default)

6.3.3 Register 0x0E – DAC Control 1, Default 0101 0101

Bit Name	Bit	Description
LP_DACL	7	0 – normal (default) 1 – low power setting for left DAC
PDN_DACL	6	0 – not power down 1 – power down left DAC (default)
LP_DACR	5	0 – normal (default) 1 – low power setting for right DAC
PDN_DACR	4	0 – not power down 1 – power down right DAC (default)
DACL MU	2	1 – left DAC mute (default) 0 – left DAC not mute
DACR MU	0	1 – right DAC mute (default) 0 – right DAC not mute

6.3.4 Register 0x0F – DAC Control 2, Default 1100 0100

Bit Name	Bit	Description
AUTOMUTE	7	Auto mute function: long period of zero inputs (8k audio samples) will mute the analog output. Any single non-zero input will un-mute. It is done per channel based. 0 – disable 1 – enable (default)
CLICKFREE	6	0 – disable digital click free power up and down 1 – enable digital click free power up and down (default)
VPPSCALE	5:4	Reserved
DACLRBOTH	3	1 – enable simultaneous load of DACLVOL and DACRVOL set by DACLVOL 0 – disable simultaneous load (default)
DACSOFTRAMP	2	1 – enable DAC soft ramp at mute and volume change (default) 0 – disable
DACRAMPRATE	1:0	These bits define DAC gain control ramp rate 00 – 0.5 dB per 4 LRCKs (default) 01 – 0.5 dB per 8 LRCKs 10 – 0.5 dB per 16 LRCKs 11 – 0.5 dB per 32 LRCKs

6.3.5 Register 0x10 DAC Control 3, Default 0000 1000

Bit Name	Bit	Description
DACINV_L	5	0 – DAC left channel output no phase inversion (default) 1 – DAC left output 180 degree phase inversion
DACINV_R	4	0 – DAC right channel output no phase inversion (default) 1 – DAC right channel output 180 degree phase inversion
DACTOEN	3	Reserved
DACDAT	2	0 – disable DAC data 6 dB attenuate 1 – -6 dB enable

6.3.6 Register 0x11– DAC Control 4, Default 0000 0000

Bit Name	Bit	Description
DACZEROL	5	0 – normal (default) 1 – set left channel DAC output all zero
DACZEROR	4	0 – normal (default) 1 – set right channel DAC output all zero
DACMONO	3	0 – stereo (default), and enable SE function 1 – mono ((L+R)/2) into DACL and DACR, and disable SE function
DACSE	2:0	Stereo enhancement gain 000 – 0 (default) 001 – 1/8 ... 111 – 7/8

6.3.7 Register 0x12– SHELIVING1_A[29:24], Default 0001 1111

Bit Name	Bit	Description
SHEV1_A[29:24]	5:0	30-bit a coefficient for shelving filter; Default value is {5'h0f, 5'h1f, 5'h0f, 5'h1f, 5'h0f, 5'h1f}

6.3.8 Register 0x13– SHELIVING1_A[23:16], Default 1111 0111

Bit Name	Bit	Description
SHEV1_A[23:16]	7:0	30-bit a coefficient for shelving filter; Default value is {5'h0f, 5'h1f, 5'h0f, 5'h1f, 5'h0f, 5'h1f}

6.3.9 Register 0x14– SHELIVING1_A[15:8], Default 1111 1101

Bit Name	Bit	Description
SHEV1_A[15:8]	7:0	30-bit a coefficient for shelving filter; Default value is {5'h0f, 5'h1f, 5'h0f, 5'h1f, 5'h0f, 5'h1f}

6.3.10 Register 0x15– SHELIVING1_A[7:0], Default 1111 1111

Bit Name	Bit	Description
SHEV1_A[7:0]	7:0	30-bit a coefficient for shelving filter; Default value is {5'h0f, 5'h1f, 5'h0f, 5'h1f, 5'h0f, 5'h1f}

6.3.11 Register 0x16– SHELIVING1_B[29:24], Default 0001 1111

Bit Name	Bit	Description
SHEV1_B[29:24]	5:0	30-bit a coefficient for shelving filter; Default value is {5'h0f, 5'h1f, 5'h0f, 5'h1f, 5'h0f, 5'h1f}

6.3.12 Register 0x17– SHELVING1_B[23:16], Default 1111 0111

Bit Name	Bit	Description
SHEV1_B[23:16]	7:0	30-bit a coefficient for shelving filter; Default value is {5'h0f, 5'h1f, 5'h0f, 5'h1f, 5'h0f, 5'h1f}

6.3.13 Register 0x18– SHELVING1_B[15:8], Default 1111 1101

Bit Name	Bit	Description
SHEV1_B[15:8]	7:0	30-bit a coefficient for shelving filter; Default value is {5'h0f, 5'h1f, 5'h0f, 5'h1f, 5'h0f, 5'h1f}

6.3.14 Register 0x19– SHELVING1_B[7:0], Default 1111 1111

Bit Name	Bit	Description
SHEV1_B[7:0]	7:0	30-bit a coefficient for shelving filter; Default value is {5'h0f, 5'h1f, 5'h0f, 5'h1f, 5'h0f, 5'h1f}

6.3.15 Register 0x1A– SHELVING2_A[29:24], Default 0001 1111

Bit Name	Bit	Description
SHEV2_A[29:24]	5:0	30-bit a coefficient for shelving filter; Default value is {5'h0f, 5'h1f, 5'h0f, 5'h1f, 5'h0f, 5'h1f}

6.3.16 Register 0x1B SHELVING2_A[23:16], Default 1111 0111

Bit Name	Bit	Description
SHEV2_A[23:16]	7:0	30-bit a coefficient for shelving filter; Default value is {5'h0f, 5'h1f, 5'h0f, 5'h1f, 5'h0f, 5'h1f}

6.3.17 Register 0x1C– SHELVING2_A[15:8], Default 1111 1101

Bit Name	Bit	Description
SHEV2_A[15:8]	7:0	30-bit a coefficient for shelving filter; Default value is {5'h0f, 5'h1f, 5'h0f, 5'h1f, 5'h0f, 5'h1f}

6.3.18 Register 0x1D– SHELVING2_A[7:0], Default 1111 1111

Bit Name	Bit	Description
SHEV2_A[7:0]	7:0	30-bit a coefficient for shelving filter; Default value is {5'h0f, 5'h1f, 5'h0f, 5'h1f, 5'h0f, 5'h1f}

6.3.19 Register 0x1E– SHELVING2_B[29:24], Default 0001 1111

Bit Name	Bit	Description
SHEV2_B[29:24]	5:0	30-bit a coefficient for shelving filter; Default value is {5'h0f, 5'h1f, 5'h0f, 5'h1f, 5'h0f, 5'h1f}

6.3.20 Register 0x1F– SHELVING2_B[23:16], Default 1111 0111

Bit Name	Bit	Description
SHEV2_B[23:16]	7:0	30-bit a coefficient for shelving filter; Default value is {5'h0f, 5'h1f, 5'h0f, 5'h1f, 5'h0f, 5'h1f}

6.3.21 Register 0x20– SHELVING2_B[15:8], Default 1111 1101

Bit Name	Bit	Description
SHEV2_B[15:8]	7:0	30-bit a coefficient for shelving filter; Default value is {5'h0f, 5'h1f, 5'h0f, 5'h1f, 5'h0f, 5'h1f}

6.3.22 Register 0x21 – SHELVING2_B[7:0], Default 1111 1111

Bit Name	Bit	Description
SHEV2_B[7:0]	7:0	30-bit a coefficient for shelving filter; Default value is {5'h0f, 5'h1f, 5'h0f, 5'h1f, 5'h0f, 5'h1f}

6.3.23 Register 0x22 – SHELVING3_A[29:24], Default 0001 1111

Bit Name	Bit	Description
SHEV3_A[29:24]	5:0	30-bit a coefficient for shelving filter; Default value is {5'h0f, 5'h1f, 5'h0f, 5'h1f, 5'h0f, 5'h1f}

6.3.24 Register 0x23 – SHELVING3_A[23:16], Default 1111 0111

Bit Name	Bit	Description
SHEV3_A[23:16]	7:0	30-bit a coefficient for shelving filter; Default value is {5'h0f, 5'h1f, 5'h0f, 5'h1f, 5'h0f, 5'h1f}

6.3.25 Register 0x24 – SHELVING3_A[15:8], Default 1111 1101

Bit Name	Bit	Description
SHEV3_A[15:8]	7:0	30-bit a coefficient for shelving filter; Default value is {5'h0f, 5'h1f, 5'h0f, 5'h1f, 5'h0f, 5'h1f}

6.3.26 Register 0x25 – SHELVING3_A[7:0], Default 1111 1111

Bit Name	Bit	Description
SHEV3_A[7:0]	7:0	30-bit a coefficient for shelving filter; Default value is {5'h0f, 5'h1f, 5'h0f, 5'h1f, 5'h0f, 5'h1f}

6.3.27 Register 0x26 – SHELVING3_B[29:24], Default 0001 1111

Bit Name	Bit	Description
SHEV3_B[29:24]	5:0	30-bit a coefficient for shelving filter; Default value is {5'h0f, 5'h1f, 5'h0f, 5'h1f, 5'h0f, 5'h1f}

6.3.28 Register 0x27 – SHELVING3_B[23:16], Default 1111 0111

Bit Name	Bit	Description
SHEV3_B[23:16]	7:0	30-bit a coefficient for shelving filter; Default value is {5'h0f, 5'h1f, 5'h0f, 5'h1f, 5'h0f, 5'h1f}

6.3.29 Register 0x28 – SHELVING3_B[15:8], Default 1111 1101

Bit Name	Bit	Description
SHEV3_B[15:8]	7:0	30-bit a coefficient for shelving filter; Default value is {5'h0f, 5'h1f, 5'h0f, 5'h1f, 5'h0f, 5'h1f}

6.3.30 Register 0x29 – SHELVING3_B[7:0], Default 1111 1111

Bit Name	Bit	Description
SHEV3_B[7:0]	7:0	30-bit a coefficient for shelving filter; Default value is {5'h0f, 5'h1f, 5'h0f, 5'h1f, 5'h0f, 5'h1f}

6.4 Digital Audio Interface Setting**6.4.1 Register 0x2A – Digital Audio Interface 1, Default 0000 0000**

Bit Name	Bit	Description
DACFORMAT	7:6	Audio data format 00 – I2S format (default) 01 – left justify 10 – right justify, 11 – DSP mode
DACLRSWP	5:4	00 – left data = left DAC, right data = right DAC (default)

		01 – left data = left DAC, right data = left DAC 10 – left data = right DAC, right data = right DAC 11 – left data = right DAC, right data = left DAC
DACLRP	3	I2S/left justified/right justified case: 0 – L/R normal polarity (default) Left / Right = High Level / Low Level (Left Justified, Right Justified) Left / Right = Low Level / High Level (I2S) 1 – L/R invert polarity Left / Right = Low Level / High Level (Left Justified, Right Justified) Left / Right = High Level / Low Level (I2S) DSP mode case: 0 – Mode A, MSB is available on 2 nd SCLK rising edge after LRCK rising edge 1 – Mode B, MSB is available on 1 st SCLK rising edge after LRCK rising edge
DACWL	2:0	Data word length 000 – 24-bit (default) 001 – 20-bit 010 – 18-bit 011 – 16-bit 100 – 32-bit

6.4.2 Register 0x2B – Digital Audio Interface 2, Default 0000 0001

Bit Name	Bit	Description
MCLKDIV2	4	0 – chip clock is MCLK (default) 1 – chip clock is MCLK divide by 2
SCLKINV	2	0 – normal (default) 1 – SCLK inverted
FSMODE	1	0 – single speed mode (default) 1 – double speed mode
DACMSC	0	1 – master mode serial port (default) 0 – slave mode serial port

6.4.3 Register 0x2C – Digital Audio Sample Rate, Default 0000 0110

Bit Name	Bit	Description
DACSR	4:0	DAC sample rate, MCLK frequency/LRCK frequency

	00000 – 128	10000 – 125
	00001 – 192	10001 – 136
	00010 – 256	10010 – 250
	00011 – 384	10011 – 272
	00100 – 512	10100 – 375
	00101 – 576	10101 – 500
	00110 – 768 (default)	10110 – 544
	00111 – 1024	10111 – 750
	01000 – 1152	11000 – 1000
	01001 – 1408	11001 – 1088
	01010 – 1536	11010 – 1496
	01011 – 2112	11011 – 1500
	01100 – 2304	Other – Reserved

6.4.4 Register 0x2D – SCLK Divider, Default 0000 0000

Bit Name	Bit	Description
SCLKDIV	4:0	SCLK divider 0 – divide depend on DACSR and clock frequency 1 – divide by 1 2 – divide by 2 3 – divide by 3 4 – divide by 4 5 – divide by 6 6 – divide by 8 7 – divide by 9 8 – divide by 11 9 – divide by 12 10 – divide by 16 11 – divide by 18 12 – divide by 22 13 – divide by 24 14 – divide by 33 15 – divide by 36 16 – divide by 44 17 – divide by 48 18 – divide by 66 19 – divide by 72 other – divide by 4

6.5 Reference Setting

6.5.1 Register 0x2E – Control Port Registers Reset, Default 0000 0000

Bit Name	Bit	Description
RST_CP	7	0 – not reset (default)

	1 – reset all registers of control port
--	---

6.5.2 Register 0x2F – Power Down Control, Default 0000 1100

Bit Name	Bit	Description
PDN_ANA	3	0 – not power down 1 – power down analog blocks (default)
PDN_DIG	2	0 – not power down 1 – power down digital blocks (default)
PDN_FSM	1	0 – not power down (default) 1 – power down FSM
PDN_DLL	0	0 – not power down (default) 1 – power down DLL

6.5.3 Register 0x30 – Reference 1, Default 0000 0000

Bit Name	Bit	Description
SEQ_EN	0	0 – internal power up/down sequence disable (default) 1 – internal power up/down sequence enable

6.5.4 Register 0x31 – Reference 2, Default 0010 1000

Bit Name	Bit	Description
ENREFR	5	0 – disable reference 1 – enable reference (default)
VROI	4	0 – 1.5k Ω VREF to analog output resistance (default) 1 – 40k Ω VREF to analog output resistance
VMIDSEL	3:2	00 – Vmid disabled (off mode) 01 – 50k Ω divider enabled (playback/record mode) 10 – 500k Ω divider enabled (standby mode, default) 11 – 5 k Ω divider enabled (fast start-up mode)
VMIDLOW	1:0	Reserved

6.5.5 Register 0x32 – Reference 3, Default 0011 0100

Bit Name	Bit	Description
PDN_VREFGEN	5	0 – not power down 1 – power down VREFGEN (default)
PDN_IBIASGEN	4	0 – not power down 1 – power down IBIASGEN (default)
LP_DACVRP	3	0 – normal (default) 1 – low power mode for DACVRP
LP_VREFBUF	2	0 – normal 1 – low power for VREFBUF (default)
PDN_VREFBUF	1	0 – not power down (default) 1 – power down VREFBUF
VREFR_LO	0	0 – normal (default)

		1 – low power for VREFR
--	--	-------------------------

6.5.6 Register 0x33 – Reference 4, Default 1111 1100

Bit Name	Bit	Description
IBIASSW	7	Reserved
VSEL	6:0	Reserved

6.5.7 Register 0x34 – Reference 5, Default 0101 0101

Bit Name	Bit	Description
MOUT_REF2	7	Reserved
MOUT_REF1	6	Reserved
OUT3_REF2	5	Reserved
OUT3_REF1	4	Reserved
OUT2_REF2	3	Reserved
OUT2_REF1	2	Reserved
OUT1_REF2	1	Reserved
OUT1_REF1	0	Reserved

6.5.8 Register 0x35 – Reference 6, Default 0000 0101

Bit Name	Bit	Description
MONO_REF2	3	Reserved
MONO_REF1	2	Reserved
MIX_REF2	1	Reserved
MIX_REF1	0	Reserved

6.6 PLL Setting**6.6.1 Register 0x36 – PLL Control 1, Default 0000 1000**

Bit Name	Bit	Description
pdn	7	0 – not power down (default) 1 – power down PLL analog
cp2	6	Reserved
cp1	5	Reserved
cp0	4	Reserved
SupSel1	3	Reserved
SupSel0	2	Reserved
kvco1	1	Reserved
kvco0	0	Reserved

6.6.2 Register 0x37 – PLL Control 2, Default 0000 0000

Bit Name	Bit	Description
LP	4	0 – normal mode (default) 1 – low power mode for PLL analog

MCLKSEL	3	Select internal master clock 0 – from MCLK pin (default) 1 – from PLL (to use PLL, make sure PLEN=1, PLL_RB=1, otherwise, the setting will close chip clock)
PLLOUT_DIV2	2	0 – divide disabled, PLL out clock is vcoout/4 (default) 1 – divide enabled, PLL out clock is vcoout/8
PLL_RB	1	0 – PLL held in reset (default) 1 – PLL running (if PLEN=1)
PLL_EN	0	0 – PLL disabled (default) 1 – PLL enabled

6.6.3 Register 0x38 – PLL Control 3, Default 0000 0000

Bit Name	Bit	Description
DITH_MAG	6:4	Reserved
PLL_N	3:0	Integer part of PLL input/output frequency ratio; Use value greater than 5 and less than 13

6.6.4 Register 0x39 – PLL_K[21:16], Default 0000 0000

Bit Name	Bit	Description
PLL_K[21:16]	5:0	Fractional part of PLL input/output frequency ratio (treat as one 22-digital binary number)

6.6.5 Register 0x3A – PLL_K[15:8], Default 0000 0000

Bit Name	Bit	Description
PLL_K[15:8]	7:0	Fractional part of PLL input/output frequency ratio (treat as one 22-digital binary number)

6.6.6 Register 0x3B – PLL_K[7:0], Default 0000 0000

Bit Name	Bit	Description
PLL_K[7:0]	7:0	Fractional part of PLL input/output frequency ratio (treat as one 22-digital binary number)

7 Digital Audio Interface

The device provides four formats of serial audio data interface to the input of the DAC through LRCK, SCLK and SDIN pins. The four formats are I²S, left justified, right justified and DSP/PCM mode. DAC input DSDIN is sampled by ES8155 on the rising edge of DSCLK. The relationship of SDATA (SDIN), SCLK and LRCK with the three formats is shown through Figure 3 to Figure 7.

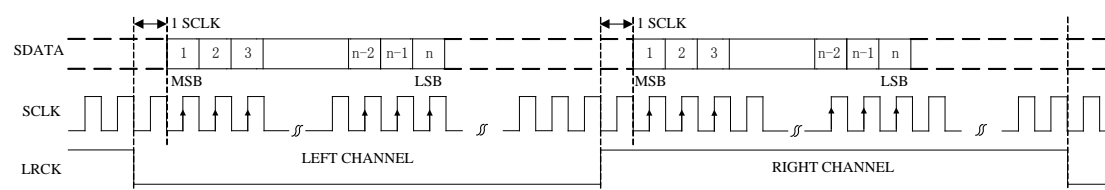


Figure 3 I²S Serial Audio Data Format Up To 24-bit

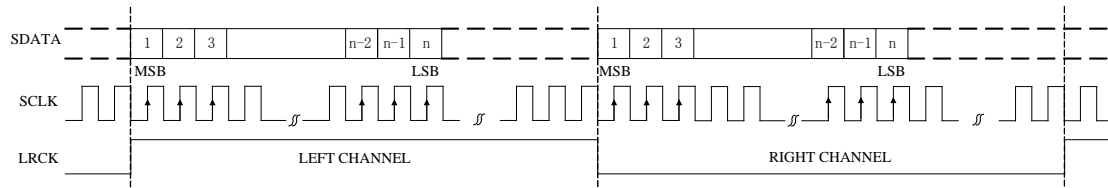


Figure 4 Left Justified Serial Audio Data Format Up To 24-bit

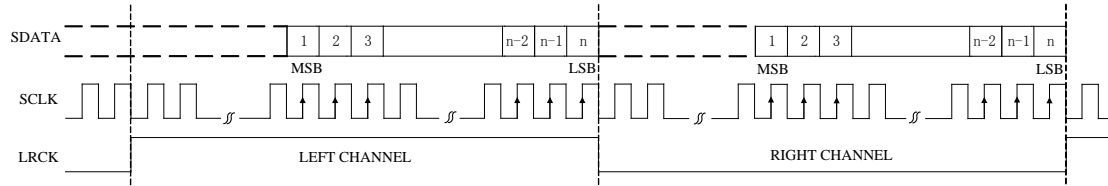


Figure 5 Right Justified Serial Audio Data Format Up To 24-bit

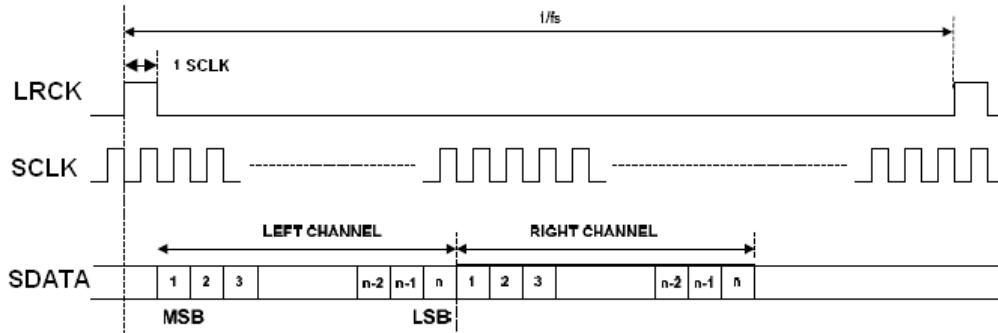


Figure 6 DSP/PCM Mode A

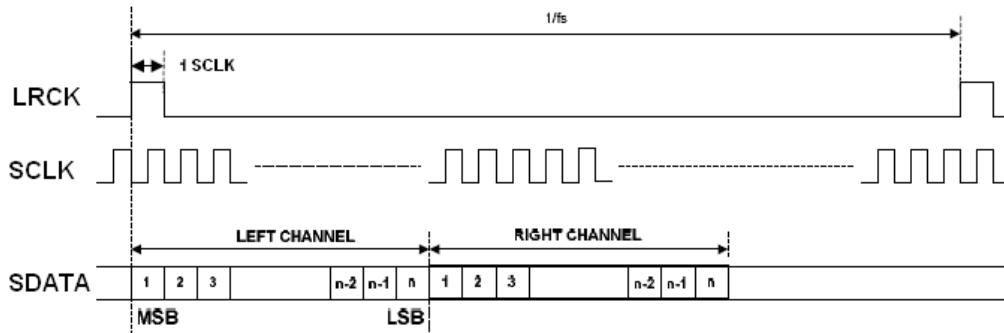


Figure 7 DSP/PCM Mode B

8 ELECTRICAL CHARACTERISTICS

8.1 Absolute Maximum Ratings

Continuous operation at or beyond these conditions may permanently damage

the device.

PARAMETER	MIN	MAX
Analog Supply Voltage Level	-0.3V	+5.0V
Digital Supply Voltage Level	-0.3V	+5.0V
Input Voltage range	DGND-0.3V	DVDD+0.3V
Operating Temperature Range	-40°C	+85°C
Storage Temperature	-65°C	+150°C

8.2 Recommended Operating Conditions

PARAMETER	MIN	TYP	MAX	UNIT
Analog Supply Voltage Level	1.7	3.3	3.6	V
Digital Supply Voltage Level	1.5	1.8	3.6	V

8.3 DAC Analog and Filter Characteristics and Specifications

Test conditions are as the following unless otherwise specify:

AVDD=+3.3V, DVDD=+1.8V, AGND=0V, DGND=0V, Ambient

temperature=+25°C, Fs=48 KHz, 96 KHz or 192 KHz, MCLK/LRCK=256.

PARAMETER	MIN	TYP	MAX	UNIT
<i>DAC Performance</i>				
Dynamic Range (Note 1)	83	96	98	dB
THD+N	-85	-83	-75	dB
Channel Separation (1KHz)	80	85	90	dB
Signal to Noise ratio	83	96	98	dB
Interchannel Gain Mismatch		0.05		dB
<i>Filter Frequency Response – Single Speed</i>				
Passband	0		0.4535	Fs
Stopband	0.5465			Fs
Passband Ripple			±0.05	dB
Stopband Attenuation	40			dB
<i>Filter Frequency Response – Double Speed</i>				
Passband	0		0.4167	Fs
Stopband	0.5833			Fs
Passband Ripple			±0.005	dB
Stopband Attenuation	40			dB
<i>De-emphasis Error at 1 KHz (Single Speed Mode Only)</i>				
Fs = 32KHz			0.002	dB
Fs = 44.1KHz			0.013	
Fs = 48KHz			0.0009	
<i>Analog Output</i>				
Full Scale Output Level		AVDD/3.3		Vrms

Note

1. The value is measured used A-weighted filter.

8.4 Power Consumption Characteristics

PARAMETER	MIN	TYP	MAX	UNIT
<i>Normal Operation Mode</i>				
DVDD=1.8V, AVDD=1.8V: Play back		7		mW
DVDD=3.3V, AVDD=3.3V: Play back		31		
<i>Power Down Mode</i>				
DVDD=1.8V, AVDD=1.8V		TBD		mW
DVDD=3.3V, AVDD=3.3V		TBD		

8.5 Serial Audio Port Switching Specifications

PARAMETER	Symbol	MIN	MAX	UNIT
MCLK frequency			51.2	MHz
MCLK duty cycle		40	60	%
LRCK frequency			200	KHz
LRCK duty cycle		40	60	%
SCLK frequency			26	MHz
SCLK pulse width low	T_{SCLKL}	15		ns
SCLK Pulse width high	T_{SCLKH}	15		ns
SCLK falling to LRCK edge	T_{SLR}	- 10	10	ns
SDIN valid to SCLK rising setup time	T_{SDIS}	10		ns
SCLK rising to SDIN hold time	T_{SDIH}	10		ns

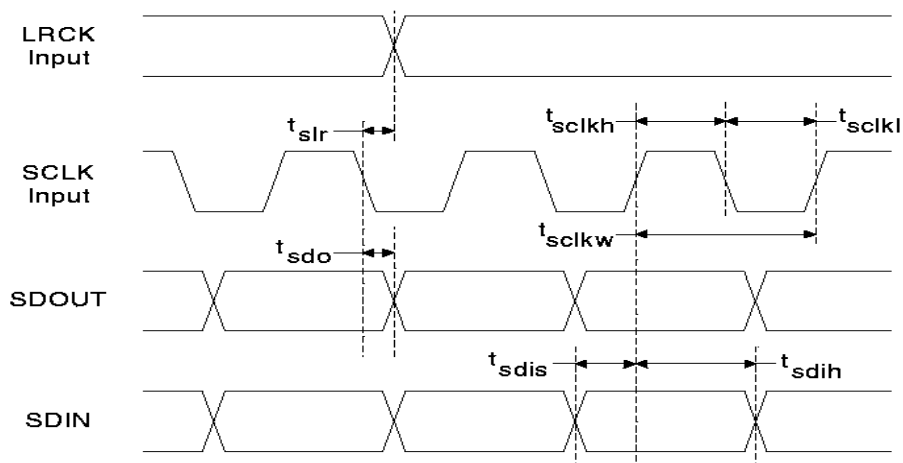


Figure 8 Serial Audio Port Timing

8.6 Serial Control Port Switching Specifications

PARAMETER	Symbol	MIN	MAX	UNIT
<i>SPI Mode</i>				
SPI_CLK clock frequency			10	MHz
SPI_CLK edge to SPI_CS _n falling	T_{SPICS}	5		ns

SPI_CS _n High Time Between transmissions	T _{SPISH}	500		ns
SPI_CS _n falling to SPI_CLK edge	T _{SPISC}	10		ns
SPI_CLK low time	T _{SPICL}	45		ns
SPI_CLK high time	T _{SPICH}	45		ns
SPI_DIN to SPI_CLK rising setup time	T _{SPIDS}	10		ns
SPI_CLK rising to DATA hold time	T _{SPIDH}	15		ns
<i>2-wire Mode</i>				
SCL Clock Frequency	F _{SCL}		100	KHz
Bus Free Time Between Transmissions	T _{TWID}	4.7		us
Start Condition Hold Time	T _{TWSTH}	4.0		us
Clock Low time	T _{TWCL}	4.0		us
Clock High Time	T _{TWCH}	4.0		us
Setup Time for Repeated Start Condition	T _{TWSTS}	4.7		us
SDA Hold Time from SCL Falling	T _{TWDH}	0.1		us
SDA Setup time to SCL Rising	T _{TWDS}	100		ns
Rise Time of SCL	T _{TWR}		25	us
Fall Time SCL	T _{TWF}		25	ns

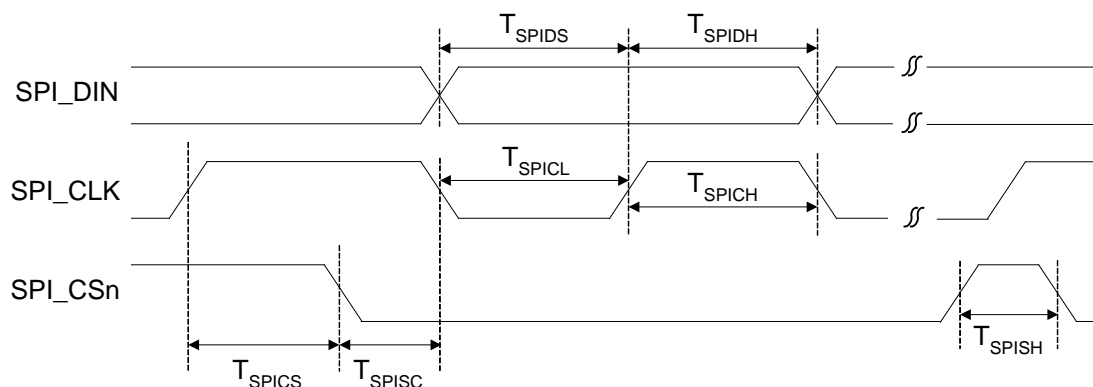


Figure 9 Serial Control Port SPI Timing

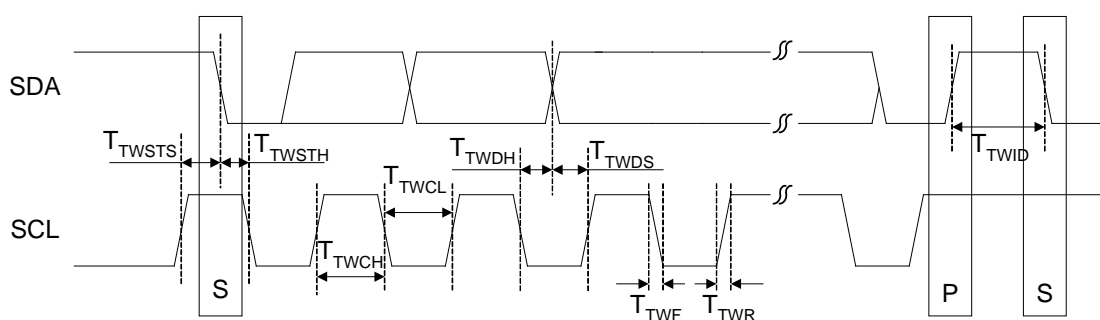
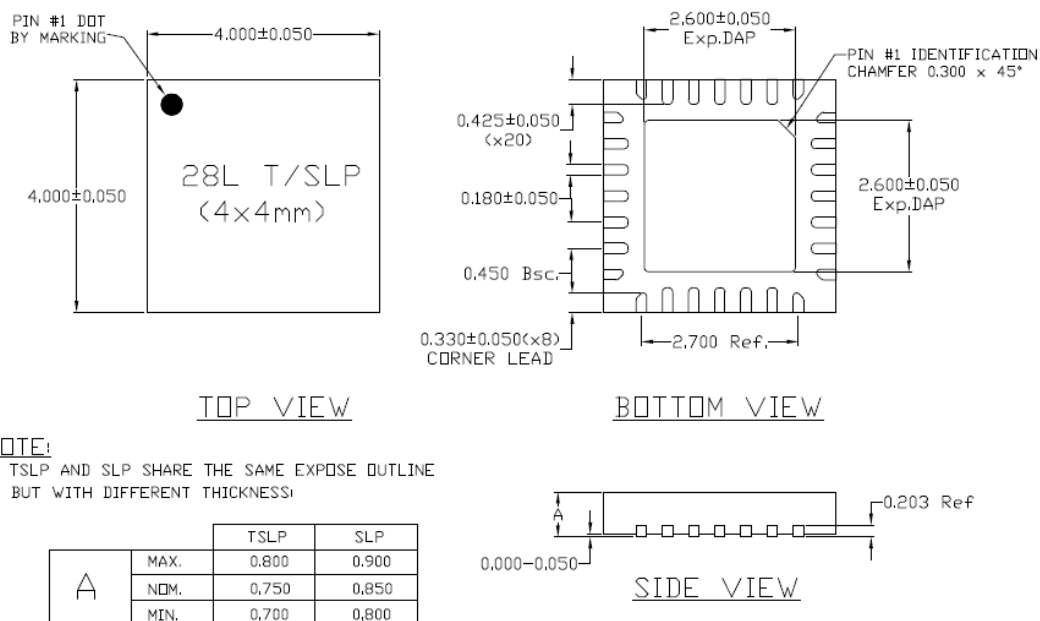


Figure 10 Serial Control Port 2-wire Timing

9 PACKAGE INFORMATION



10 CORPOARATION INFORMATION

Everest Semiconductor Co., Ltd.

苏州工业园区机场路 328 号，国际科技园区科技广场 6A，邮编 215028

Email: salesinfo@everest-semi.com