



Features

- ✧ For surface mounted applications in order to optimize board space
- ✧ Low profile space
- ✧ Glass passivated chip
- ✧ High reliability
- ✧ For use in stabilizing and clipping circuits with high power rating.
- ✧ Component in accordance to RoHS 2002/95/EC and WEEE 2002/96/EC

Mechanical Date

- ✧ Case: JEDEC SOD-123FL molded plastic over passivated chip
- ✧ Terminals: Solder plated, solderable per MIL-STD-750 Method 2026
- ✧ Polarity: types the band by laser denotes the cathode
- ✧ Weight: 0.017gram

Applications

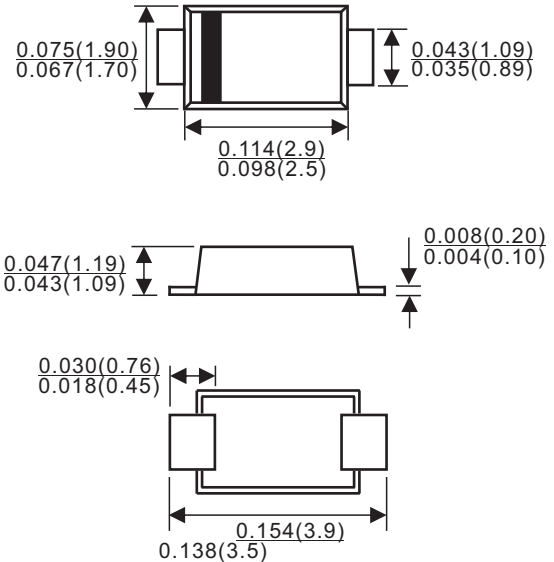
- ✧ Voltage stabilization

Maximum Ratings & Thermal Characteristics

(T_A = 25 °C unless otherwise noted)

| | Symbol | VALUE | UNIT |
|---|------------------|-------------|--------|
| power dissipation | P | 1.0 | W |
| Typical thermal resistance, junction to ambient | R _{θJA} | | °C / W |
| Typical thermal resistance, junction to lead | R _{θJL} | | °C / W |
| Junction temperature | T _J | 150 | °C |
| storage temperature range | T _{STG} | -55 to +150 | °C |

SOD-123FL



Dimensions in inches and(millimeters)

Electrical Characteristics

T_A = 25°C unless otherwise noted.

| DEVICE House No. | Zener Voltage | | | Zener Impedance | | | Leakage Current | | |
|---------------------|------------------------|-----|--------|------------------|----------------------------------|----------------------------------|-----------------|--------------------------------|-------|
| | V _Z (Volts) | | | @I _{ZT} | Z _{ZT} @I _{ZT} | Z _{ZK} @I _{ZK} | | I _R @V _R | |
| | Min | Nom | Max | mA | Ω | Ω | mA | uA | Volts |
| DZL4728 | 3.13 | 3.3 | 3.47 | 76 | 10 | 400 | 1.0 | 100 | 1.0 |
| DZL4729 | 3.42 | 3.6 | 3.78 | 69 | 10 | 400 | 1.0 | 100 | 1.0 |
| DZL4730 | 3.70 | 3.9 | 4.10 | 64 | 9 | 400 | 1.0 | 50 | 1.0 |
| DZL4731 | 4.08 | 4.3 | 4.52 | 58 | 9 | 400 | 1.0 | 50 | 1.0 |
| DZL4732 | 4.46 | 4.7 | 4.94 | 53 | 8 | 500 | 1.0 | 10 | 1.0 |
| DZL4733 | 4.84 | 5.1 | 5.36 | 49 | 7 | 550 | 1.0 | 10 | 1.0 |
| DZL4734 | 5.32 | 5.6 | 5.88 | 45 | 5 | 600 | 1.0 | 10 | 2.0 |
| DZL4735 | 5.89 | 6.2 | 6.51 | 41 | 2 | 700 | 1.0 | 10 | 3.0 |
| DZL4736 | 6.46 | 6.8 | 7.14 | 37 | 3.5 | 700 | 1.0 | 10 | 4.0 |
| DZL4737 | 7.12 | 7.5 | 7.88 | 34 | 4 | 700 | 0.5 | 10 | 5.0 |
| DZL4738 | 7.79 | 8.2 | 8.61 | 31 | 4.5 | 700 | 0.5 | 10 | 6.0 |
| DZL4739 | 8.64 | 9.1 | 9.56 | 28 | 5 | 700 | 0.5 | 10 | 7.0 |
| DZL4740 | 9.50 | 10 | 10.50 | 25 | 7 | 700 | 0.25 | 10 | 7.6 |
| DZL4741 | 10.45 | 11 | 11.55 | 23 | 8 | 700 | 0.25 | 5 | 8.4 |
| DZL4742 | 11.40 | 12 | 12.60 | 21 | 9 | 700 | 0.25 | 5 | 9.1 |
| DZL4743 | 12.35 | 13 | 13.65 | 19 | 10 | 700 | 0.25 | 5 | 9.9 |
| DZL4744 | 14.25 | 15 | 15.75 | 17 | 14 | 700 | 0.25 | 5 | 11.4 |
| DZL4745 | 15.20 | 16 | 16.80 | 15.5 | 16 | 700 | 0.25 | 5 | 12.2 |
| DZL4746 | 17.10 | 18 | 18.90 | 14 | 20 | 750 | 0.25 | 5 | 13.7 |
| DZL4747 | 19.00 | 20 | 21.00 | 12.5 | 22 | 750 | 0.25 | 5 | 15.2 |
| DZL4748 | 20.90 | 22 | 23.10 | 11.5 | 23 | 750 | 0.25 | 5 | 16.7 |
| DZL4749 | 22.80 | 24 | 25.20 | 10.5 | 25 | 750 | 0.25 | 5 | 18.2 |
| DZL4750 | 25.65 | 27 | 28.35 | 9.5 | 35 | 750 | 0.25 | 5 | 20.6 |
| DZL4751 | 28.50 | 30 | 31.50 | 8.5 | 40 | 1000 | 0.25 | 5 | 22.8 |
| DZL4752 | 31.35 | 33 | 34.65 | 7.5 | 45 | 1000 | 0.25 | 5 | 25.1 |
| DZL4753 | 34.20 | 36 | 37.80 | 7 | 50 | 1000 | 0.25 | 5 | 27.4 |
| DZL4754 | 37.05 | 39 | 40.95 | 6.5 | 60 | 1500 | 0.25 | 5 | 29.7 |
| DZL4755 | 40.85 | 43 | 45.15 | 6 | 70 | 1500 | 0.25 | 5 | 32.7 |
| DZL4756 | 44.65 | 47 | 49.35 | 5.5 | 80 | 1500 | 0.25 | 5 | 35.8 |
| DZL4757 | 48.45 | 51 | 53.55 | 5 | 95 | 1500 | 0.25 | 5 | 38.8 |
| DZL4758 | 53.20 | 56 | 58.80 | 4.5 | 110 | 2000 | 0.25 | 5 | 42.6 |
| DZL4759 | 58.90 | 62 | 65.10 | 4 | 125 | 2000 | 0.25 | 5 | 47.1 |
| DZL4760 | 64.60 | 68 | 71.40 | 3.7 | 150 | 2000 | 0.25 | 5 | 51.7 |
| DZL4761 | 71.25 | 75 | 78.75 | 3.3 | 175 | 2000 | 0.25 | 5 | 56.0 |
| DZL4762 | 77.90 | 82 | 86.10 | 3 | 200 | 3000 | 0.25 | 5 | 62.2 |
| DZL4763 | 86.45 | 91 | 95.55 | 2.8 | 250 | 3000 | 0.25 | 5 | 69.2 |
| DZL4764 | 95.00 | 100 | 105.00 | 2.5 | 350 | 3000 | 0.25 | 5 | 76.0 |

| PACKAGE | SPQ/PCS | CARTON SPQ/PCS | CARTON SIZE/CM | CARTON GW/KG | CARTON NW/KG |
|-----------|-----------|-------------------|-------------------|-----------------|-----------------|
| SOD-123FL | 3000/REEL | 90000 | 40X20X22 | 5.00 | 4.00 |