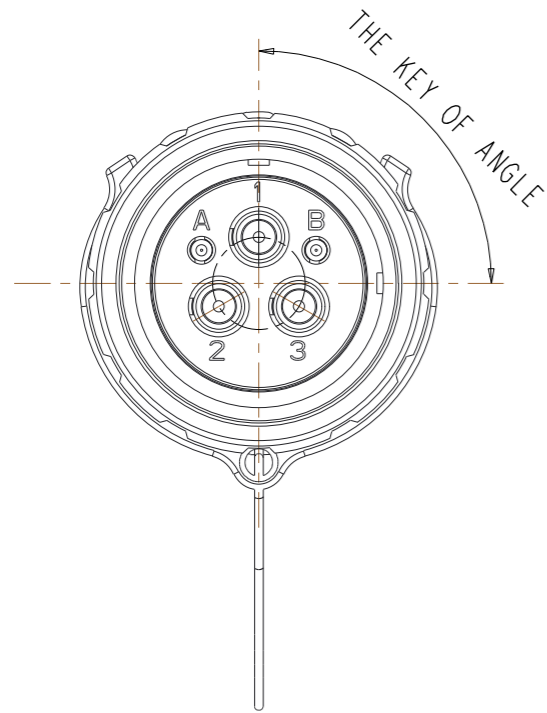
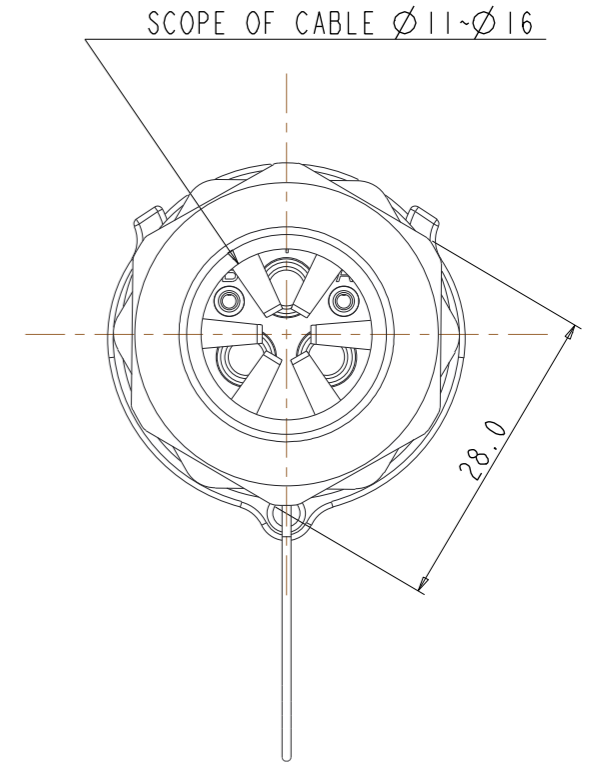
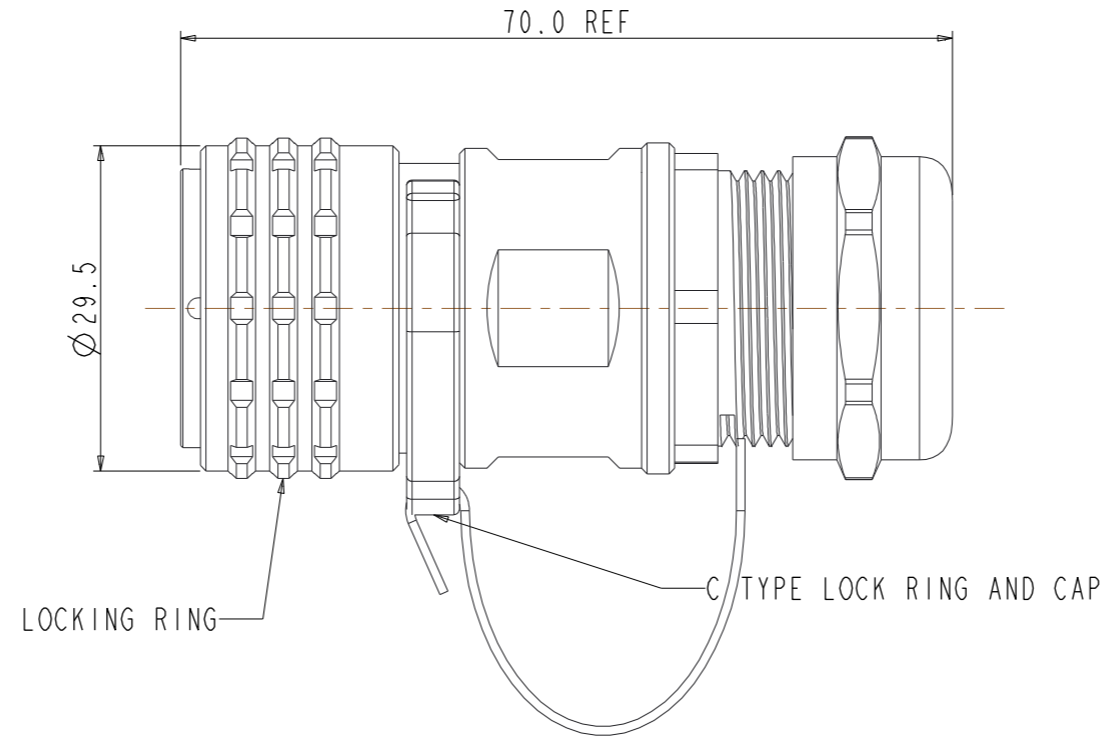


REV	ECN	DESCRIPTION	DATE	MODIFIED
G		UPDATE P/N DESCRIPTION	2016.12.15	ROY.QU

CUSTOMER DRAWING



1,2,3=3.0MM PIN CONTACT
A,B=1.0MM PIN CONTACT



NOTES:

- 1.FINISHED PRODUCT DOES HAVE NOT THE PIN,NEED TO BUY SEPARATE.
- 2.THE BIG PIN P/N FOR 4MM² CABLE:HVG30M4,USE LEVEL:3PCS
THE BIG PIN P/N FOR 2.5MM² CABLE:HVG30M2,USE LEVEL:3PCS
- 3.THE SMALL PIN P/N:HVG20M1,USE LEVEL:2PCS
- 4.WIHT C TYPE LOCK RING AND CAP.
- 5.TORQUE: 10N*M
- 6.THE SCOPE OF CABLE Ø11~Ø16
7. IF THE P/N WITHOUT ANGLE CODE,PLEASE DON'T CHOOSE YELLOW LOCKING RING.
OTHER ANGLE AND COLOR CAN BE MATCHED IN ANY COMBINATION

ANGLE CODE	ANGLE OF KEY	COLOR CODE	COLOR OF LOCKING RING	P/N(FOR EXAMPLE)
WITHOUT	0°	WITHOUT	BLACK	HVGIP403MC
X	270°	R	RED	HVGIP403MCXR
Y	315°	Y	YELLOW	HVGIP403MCYY
Z	90°	B	BLUE	HVGIP403MCZB
W	45°	G	GREEN	HVGIP403MCWG

TECHNICAL DATA	
CURRENT RATE 2.5MM ² WIRE	23A
CURRENT RATE 4MM ² WIRE	32A
UL RATING VOLTAGE (POLLUTION DEGREE 2)	400VAC,690VDC
OPERATING TEMPERATURE	-40-125°C
DIELECTRIC WITHSTANDING VOLTAGE	3000V
INSULATION RESISTANCE	2000MEGOHMS MIN.(25°C)
DURABILITY	500 CYCLES
SHIELDING	YES
WATERPROOF(mated condition)	IP67
AMBIENT TEMPERATURE	-40~70°C

DIMENSIONS ANSI Y14.5M UNITS: MM Pro/E FILE	TOLERANCES X ±0.3 .XX ±0.20 ANGLES ±0.5°	PROJECTION 	Amphenol Pcd Shenzhen		TITLE TRIPLEX PLUG ASSEMBLY WITH INTERLOCK		
			ENGR ROY.QU	2016.12.15			
ORIGINAL NOT FOR CUSTOMER DISTRIBUTION	THIS DOCUMENT CONTAINS PROPRIETARY INFORMATION WHICH IS THE CONFIDENTIAL PROPERTY OF AMPHENOL PCD SHENZHEN		CHKD	APPD	SIZE A3	DWG NO. HVGIP-403MCX-XX	REV G
			CODE: 58982		SCALE: 3:2		SHEET 1 OF 1

HVGIP-403MCX-XX

HVGIP-403MCX-XX