



## One-way Operation Type SPPW8 Series

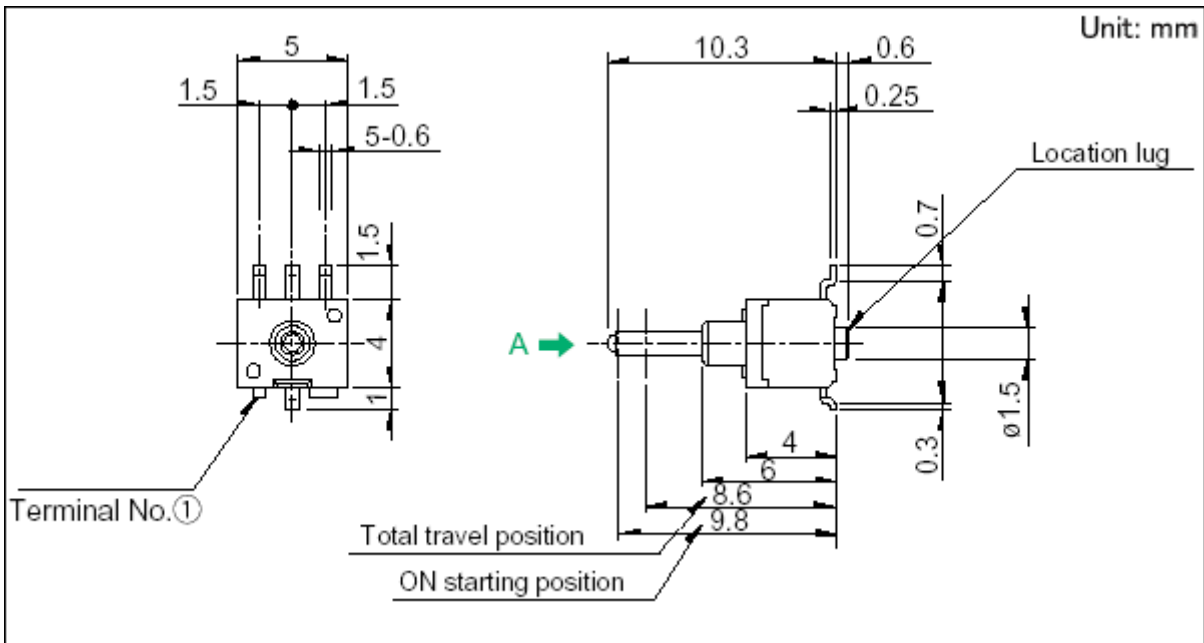
Poles		1
Positions		1
Terminal type		For PC board (Reflow)
Operating force		0.3N max.
Slider height (mm)		10.3
ON start position (mm)		9.8
Total travel position (mm)		8.6
Operating temperature range		-10°C to +60°C
Rating (max.)/(min.) (Resistive load)		0.1A 30V DC/100 $\mu$ A 3V DC
Electrical performance	Contact resistance (Initial/After operating life)	1 $\Omega$ max./2 $\Omega$ max.
	Insulation resistance	100M $\Omega$ min. 100V DC
	Voltage proof	100V AC for 1 minute
Mechanical performance	Terminal strength	3N for 1 minute
	Actuator strength	10N
Durability	Operating life without load	100,000 cycles 2 $\Omega$ max.
	Operating life with load Rating (max.) (Resistive load)	100,000 cycles 2 $\Omega$ max..
Environmental performance	Cold	-20°C 96h
	Dry heat	85°C 96h
	Damp heat	40°C, 90 to 95%RH 96h
Minimum order unit (pcs.)	Japan	4,000
	Export	20,000

## Dimensions

### About Cookies on this site:

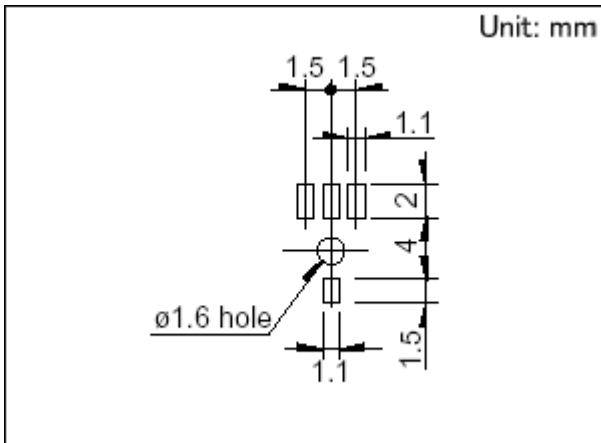
This site uses cookies to improve your online experience. By continuing to use this site without changing your cookie preferences, we will assume that you are agreeing to our use of cookies. For more information, visit our [Terms of Use](#).

Accept



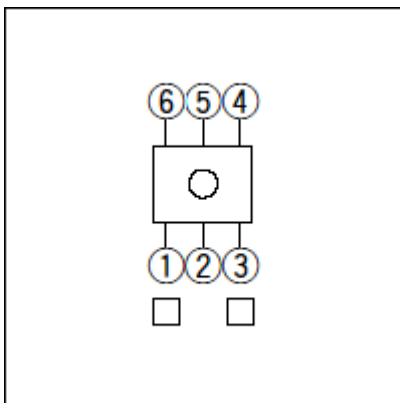
1. Products without location lug are also available.
2. Contact us for other slider height variations.
3. Contact us for other terminal types.

Land Dimensions



Viewed from direction A in the dimensions.

Terminal Layout



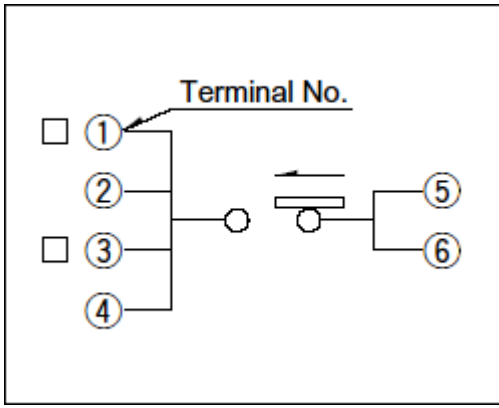
□ mark shows a cutting terminal.

Circuit Diagram

About Cookies on this site :

This site uses cookies to improve your online experience. By continuing to use this site without changing your cookie preferences, we will assume that you are agreeing to our use of cookies. For more information, visit our [Terms of Use](#).

Accept



### Packing Specifications

**Bulk**

Number of packages (pcs.)	1 case / Japan	4,000
	1 case / export packing	20,000
Export package measurements (mm)	400 × 270 × 290	

### Soldering Conditions

**Example of Reflow Soldering Condition**

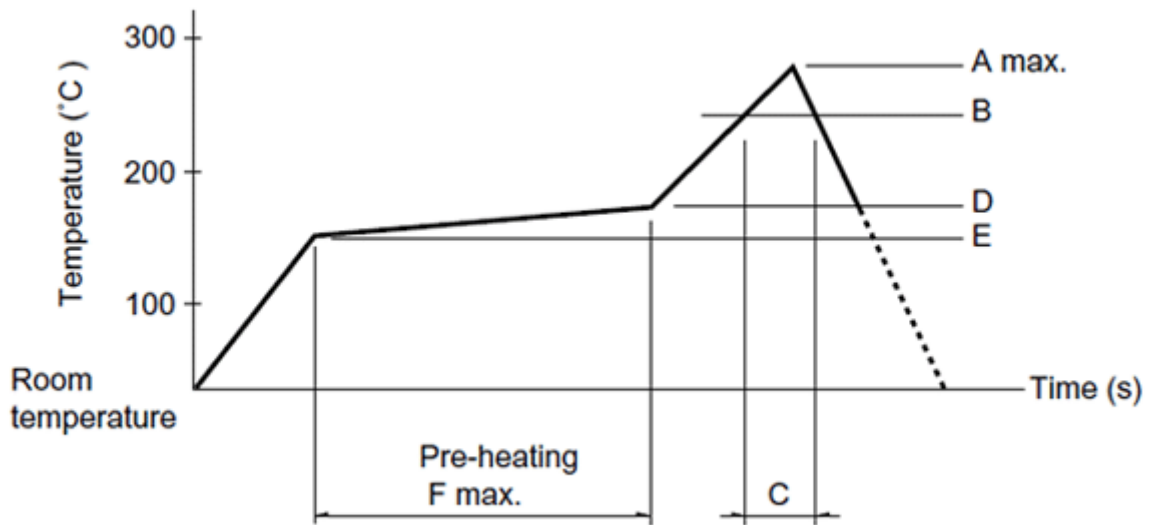
**1. Heating method**

Double heating method with infrared heater.

**2. Temperature measurement**

Thermocouple 0.1 to 0.2VCA(K) or CC(T) at soldering portion (copper foil surface). A heat resisting tape should be used for fixed measurement.

**3. Temperature profile**



A(°C)	B(°C)	C(s)	D(°C)	E(°C)	F(s)
250	230	35	180	150	120

(1) The condition mentioned above is the temperature on the mounting surface of a PC board. There are cases where the PC board's temperature greatly differs from that of the switch, surface depending on the PC board's material, size, thickness, etc. The above-stated conditions shall also apply to switch surface temperatures.

(2) Soldering conditions differ depending on reflow soldering machines. Prior verification of soldering condition is highly recommended.

**Reference for Hand Soldering**

**About Cookies on this site :**

This site uses cookies to improve your online experience. By continuing to use this site without changing your cookie preferences, we will assume that you are agreeing to our use of cookies. For more information, visit our [Terms of Use](#).

Accept

## Notes are common to this series/models.

1. This site catalog shows only outline specifications. When using the products, please obtain formal specifications for supply.
2. Standard type dimensions indicate "with location lug." version.
3. Please place purchase orders per minimum order unit (integer).
4. Products other than those listed in the above chart are also available. Please contact us for details.

### About Cookies on this site:

This site uses cookies to improve your online experience. By continuing to use this site without changing your cookie preferences, we will assume that you are agreeing to our use of cookies. For more information, visit our [Terms of Use](#).

Accept