



## 11mm Size Insulated Shaft Snap-in Type RK11K Series

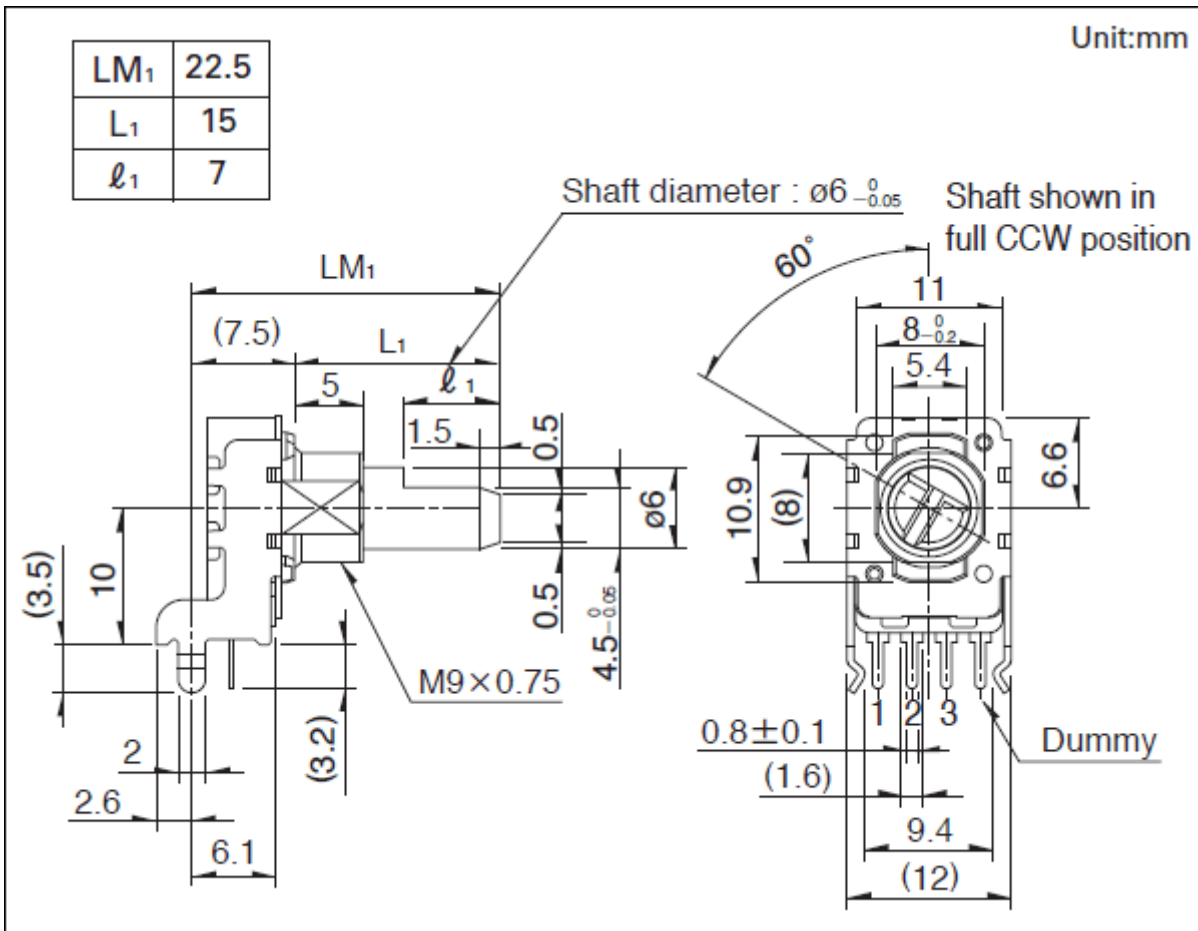
Number of resistor elements	Single-unit (20V DC)	
Mounting direction	Horizontal type	
Bushing	With	
Shaft types	Flat	
Length of the shaft LM1	22.5mm	
Center detent	With	
Total resistance	20kΩ	
Resistance taper	1B	
Operating temperature range	-10°C to +70°C	
Electrical Performance	Total resistance tolerance	±20%
	Rated power	0.05W
	Maximum operating voltage	50V AC, 20V DC
	Insulation resistance	100MΩ min. 500V DC
	Voltage proof	500V AC for 1 minute
Mechanical Performance	Total rotational angle	300°±5°
	Rotational torque	3 to 20mN·m
	Stopper strength	0.6N·m
	Push-pull strength	80N max.
	Vibration	10 to 55 to 10Hz/min., the amplitude is 1.5mm for all the frequencies, in the 3 direction of X, Y and Z and for 2 hours respectively

### About Cookies on this site :

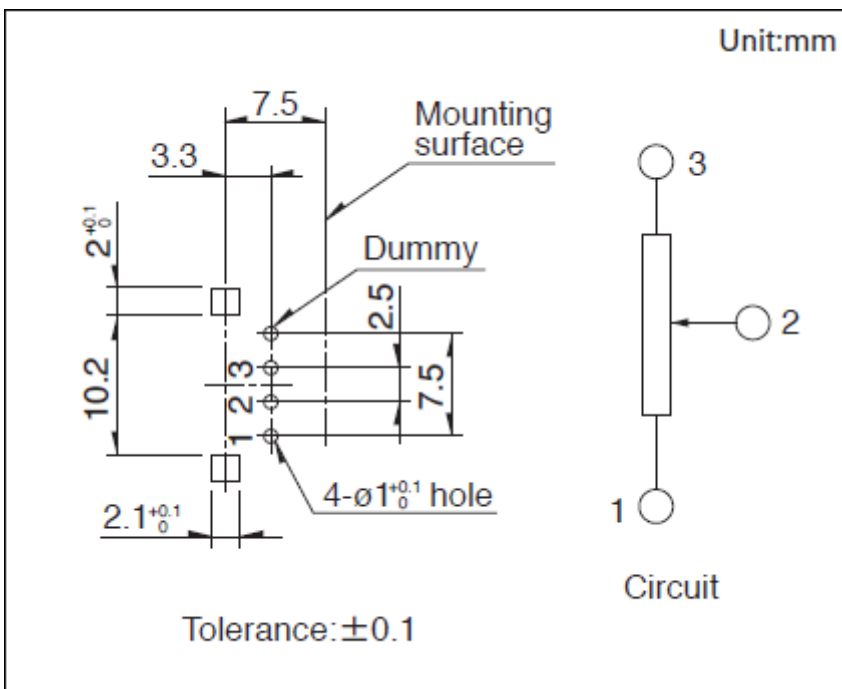
This site uses cookies to improve your online experience. By continuing to use this site without changing your cookie preferences, we will assume that you are agreeing to our use

Accept

Dimensions



Mounting Hole Dimensions



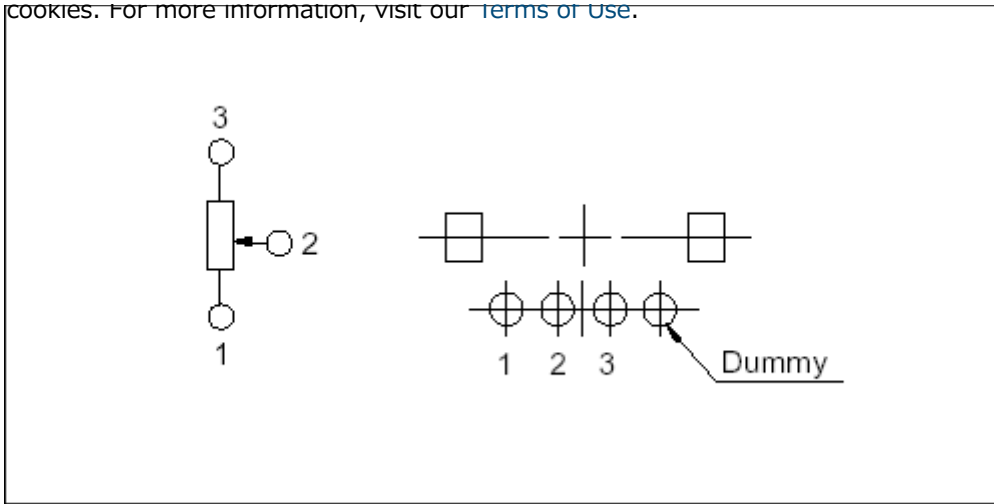
Viewed from mounting side.

About Cookies on this site :

This site uses cookies to improve your online experience. By continuing to use this site without changing your cookie preferences, we will assume that you are agreeing to our use

Accept

of cookies. For more information, visit our [terms of Use](#).



## Packing Specifications

### Tray

Number of packages (pcs.)	1 case / Japan	1,000
---------------------------	----------------	-------

	1 case / export packing	2,000
--	-------------------------	-------

Export package measurements (mm)	543×377×250
----------------------------------	-------------

## Soldering Conditions

### Reference for Hand Soldering

Tip temperature	350°C max.
-----------------	------------

Soldering time	3s max.
----------------	---------

No. of solders	1 time
----------------	--------

## Notes are common to this series/models.

1. This site catalog shows only outline specifications. When using the products, please obtain formal specifications for supply.
2. Please place purchase orders per minimum order unit (integer).
3. Products other than those listed in above products are also available. Please contact us for details.
4. Nut and washer are not attached. Please specify if required.

About Cookies on this site :

This site uses cookies to improve your online experience. By continuing to use this site without changing your cookie preferences, we will assume that you are agreeing to our use

Accept