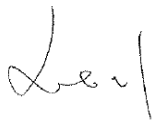



# APPROVAL SHEET

Customer Name : \_\_\_\_\_  
Customer P/N : \_\_\_\_\_  
Frequency : 27.000000 MHz  
Aker Approved P/N: CXA-027000-3D4D21  
Aker MPN : CXA-027000-3D4D21  
Rev. : 1  
ISSUE DATE : Jan.25.2019

| APPROVED  | CHECKED | PREPARED  |
|---|---------|---|
|  |         |  |
| APPROVED BY CUSTOMER  |         |   |
|   |         |   |

## AKER TECHNOLOGY CO., LTD.

ADDRESS : NO 11-3, Jianguo Rd., T.E.P.Z ,Tanzi Dist., Taichung City 427, Taiwan.

TEL : 886-4-25335978 FAX : 886-4-25336011

Web: [www.aker.com.tw](http://www.aker.com.tw)

**RoHS compliant**





|                   |   |                   |
|-------------------|---|-------------------|
| CUST. P/N         | : |                   |
| Aker Approved P/N | : | CXA-027000-3D4D21 |
| APPROVED          | : | Xtal              |
| PREPARED          | : | Kiku              |
|                   |   | SHEET : 2 of 9    |
|                   |   | REV . : 1         |

## SMD CRYSTAL SPECIFICATION

### 1 . ELECTRICAL CHARACTERISTICS

■ Standard atmospheric conditions

Unless otherwise specified , the standard range of atmospheric conditions for making measurement and tests are as follow :

Ambient temperature : 25±5 °C

Relative humidity : 40%~70%

If there is any doubt about the results , measurement shall be made within the following limits :

Ambient temperature : 25±3 °C

Relative humidity : 40%~70%

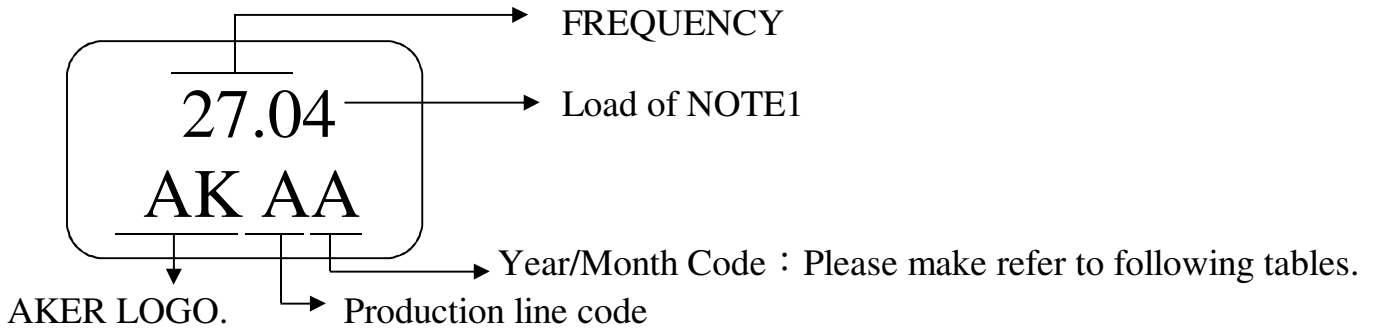
- AKER Model : CXA-321
- Oscillation Model : Fundamental
- Cutting Model : AT CUT
- Measurement Equipment : 350A(Measured FL)
- Insulation Resistance : More than 500M ohms at DC 100V

| Parameters                | Symbol | Electrical Spec |      |      |        | Notes                       |
|---------------------------|--------|-----------------|------|------|--------|-----------------------------|
|                           |        | Min.            | Typ. | Max. | Units. |                             |
| Nominal Frequency         | FL     | 27.000000       |      |      | MHz    |                             |
| Frequency Tolerance       |        | ±20             |      |      | ppm    | at 25°C ± 3°C               |
| Frequency Stability       |        | ±20             |      |      | ppm    | Operating Temp (Refer 25°C) |
| Load Capacitance          | CL     | 20              |      |      | pF     |                             |
| Aging                     |        | ±3              |      |      | ppm    | First Year                  |
| Operating Temperature     |        | -20             | ~    | 70   | °C     |                             |
| Storage Temperature Range |        | -55             | ~    | 125  | °C     |                             |
| Drive Level               | DL     |                 |      | 100  | uW     |                             |
| Effective Resistance Rr   | Rr     |                 |      | 50   | Ω      |                             |
| Shunt Capacitance         | C0     |                 |      | 5    | pF     |                             |

\*Please kindly be noted that AKER DO NOT guarantee parts quality which involves human security application.\*

|                   |                     |                |
|-------------------|---------------------|----------------|
| CUST. P/N         | :                   |                |
| Aker Approved P/N | : CXA-027000-3D4D21 |                |
| APPROVED          | : Xtal              | SHEET : 3 of 9 |
| PREPARED          | : Kiku              | REV. : 1       |

## 2. MARKING :



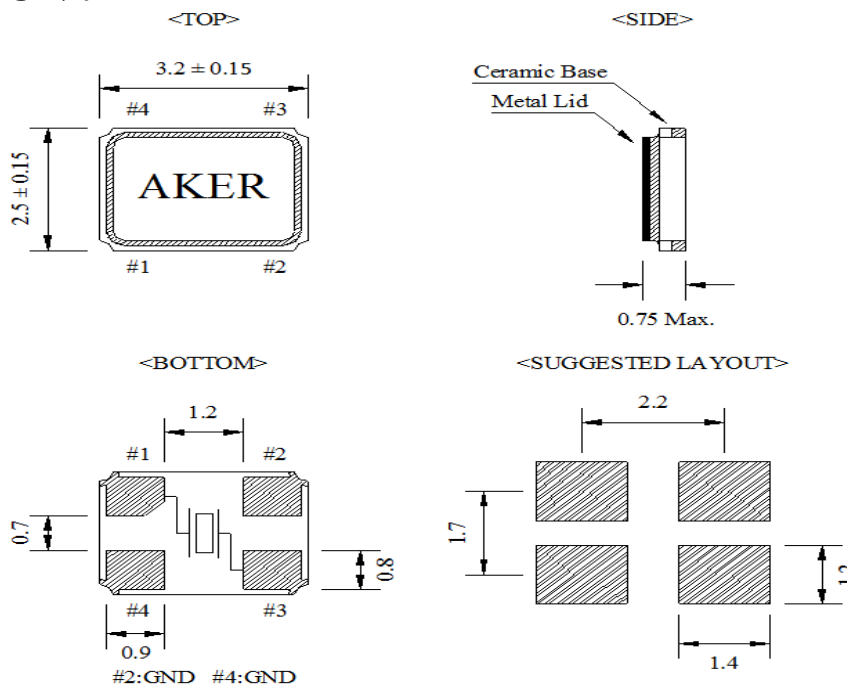
### NOTE 1 :

| CODE | CL   | CODE | CL   | CODE | CL     | CODE | CL     |
|------|------|------|------|------|--------|------|--------|
| 0    | 0pF  | 9    | 14pF | K    | 9.5pF  | U    | 8.5pF  |
| 1    | 16pF | A    | 32pF | L    | 19.5pF | V    | 24pF   |
| 2    | 22pF | B    | 27pF | M    | 21.5pF | W    | 4pF    |
| 3    | 15pF | C    | 8pF  | N    | 33pF   | X    | 39pF   |
| 4    | 20pF | D    | 37pF | P    | 7pF    | Y    | 26pF   |
| 5    | 30pF | E    | 25pF | Q    | 15.5pF | Z    | 7.2pF  |
| 6    | 18pF | F    | 35pF | R    | 12.5pF | a    | 17pF   |
| 7    | 12pF | G    | 13pF | S    | 11pF   | b    | 9.85pF |
| 8    | 10pF | H    | 9pF  | T    | 6pF    | d    | 5pF    |

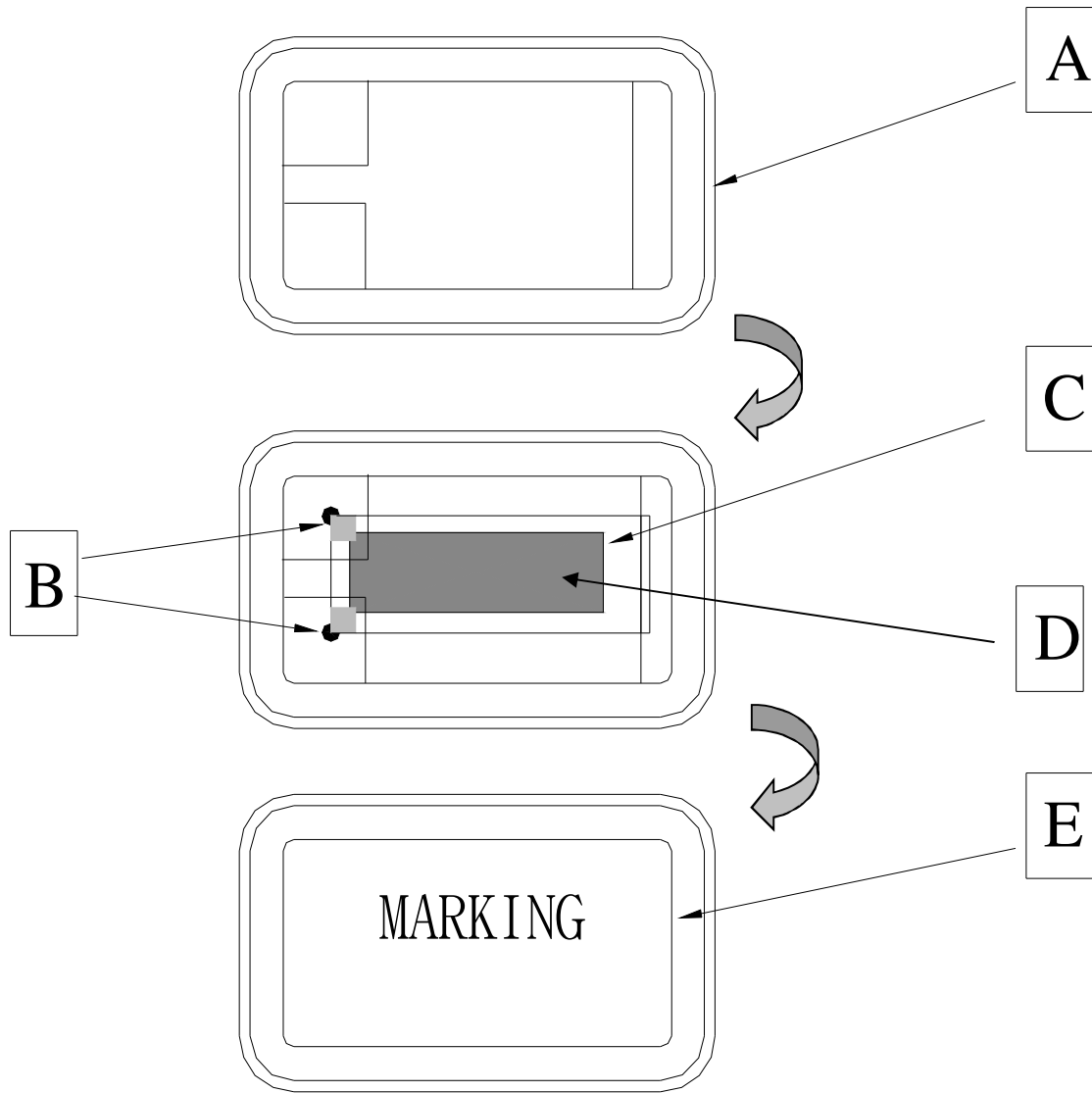
| Year  | 2007 | 2008 | 2009 | 2010 |
|-------|------|------|------|------|
|       | 2011 | 2012 | 2013 | 2014 |
| 2015  | 2016 | 2017 | 2018 |      |
| 2019  | 2020 | 2021 | 2022 |      |
| 2023  | 2024 | 2025 | 2026 |      |
| Month | JAN  | FEB  | MAR  | APR  |
| MAY   | JUN  | JUL  | AUG  | SEP  |
| OCT   | NOV  | DEC  |      |      |
|       | A    | B    | C    | D    |
|       | E    | F    | G    | H    |
|       | J    | K    | L    | M    |
|       | N    | P    | Q    | R    |
|       | S    | T    | U    | V    |
|       | W    | X    | Y    | Z    |
|       | a    | b    | c    | d    |
|       | e    | f    | g    | h    |
|       | i    | j    | k    | l    |
|       | m    | n    | o    | p    |
|       | q    | r    | s    | t    |
|       | u    | v    | w    | x    |
|       | y    | z    |      |      |

## 3. DIMENSION :

( Unit : mm )



#### 4. STRUCTURE ILLUSTRATION



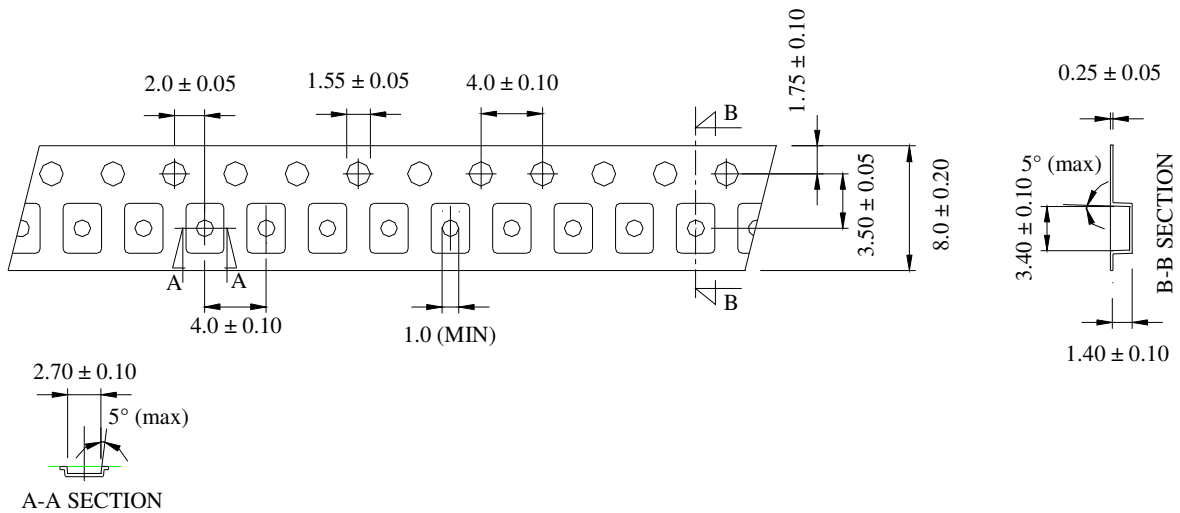
| COMPONENTS |                     | MATERIALS                            | COMPONENTS |           | MATERIALS |
|------------|---------------------|--------------------------------------|------------|-----------|-----------|
| A          | Base (Package)      | Ceramic( $Al_2O_3$ )+Kovar(Fe/Co/Ni) | D          | Electrode | Cr / Ag   |
| B          | Conductive adhesive | Ag / Silicon resin                   | E          | Lid       | Fe/Co/Ni  |
| C          | Crystal blank       | $SiO_2$                              |            |           |           |

|                   |   |                   |
|-------------------|---|-------------------|
| CUST. P/N         | : |                   |
| Aker Approved P/N | : | CXA-027000-3D4D21 |
| APPROVED          | : | Xtal              |
| PREPARED          | : | Kiku              |
|                   |   | SHEET : 5 of 9    |
|                   |   | REV . : 1         |

### 5 . PACKING :

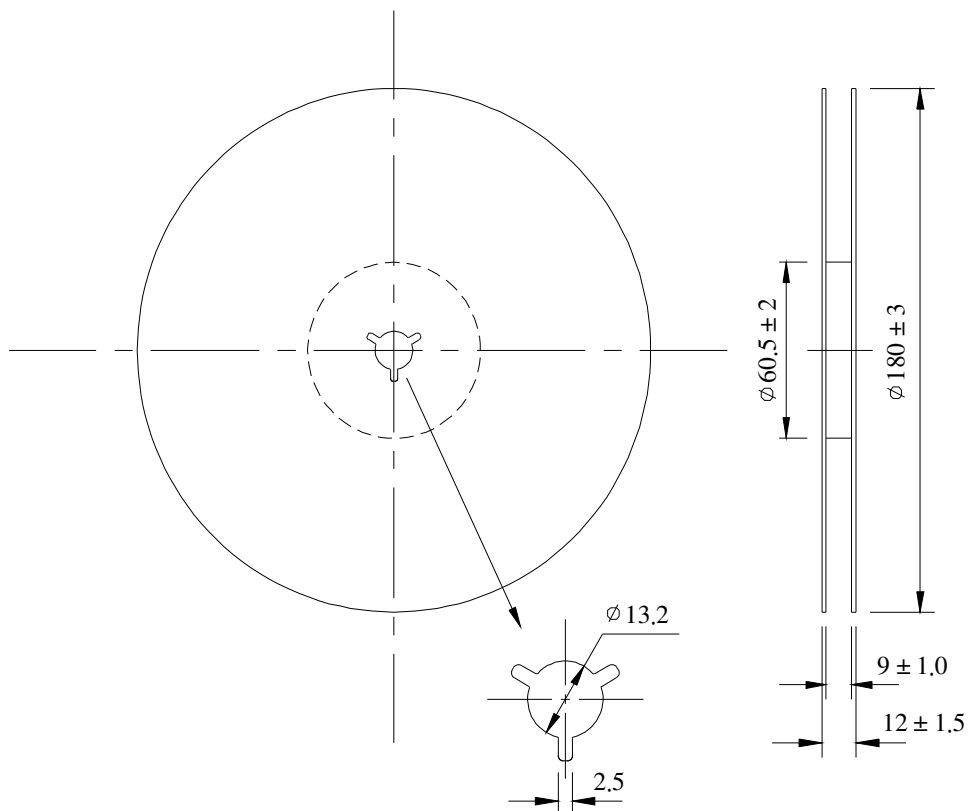
#### TAPE SPECIFICATION

( Unit : mm )



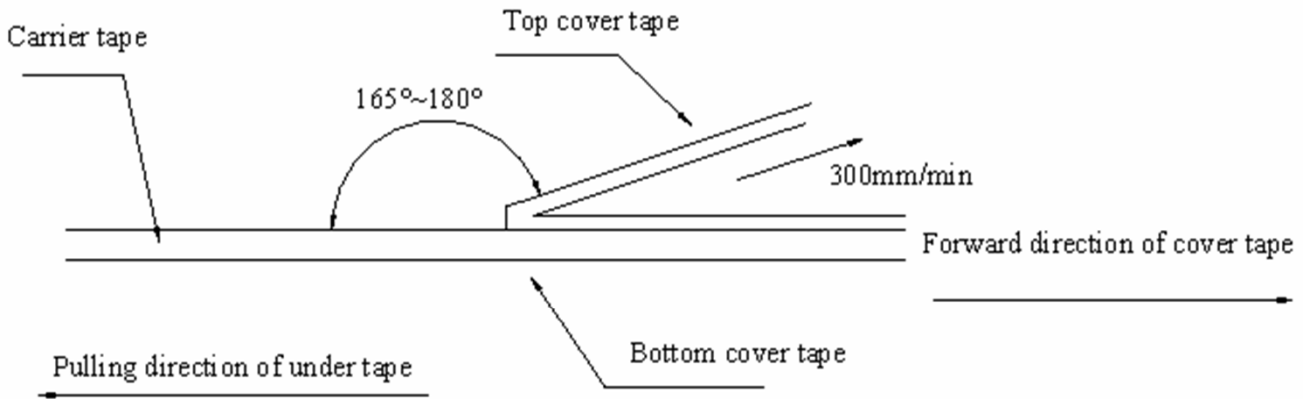
#### OUTLINE DIMENSION

( Unit : mm )



|                   |   |                   |
|-------------------|---|-------------------|
| CUST. P/N         | : |                   |
| Aker Approved P/N | : | CXA-027000-3D4D21 |
| APPROVED          | : | Xtal              |
| PREPARED          | : | Kiku              |
|                   |   | SHEET : 6 of 9    |
|                   |   | REV . : 1         |

## 6. COVER TAPE ADHESION STRENGTH :

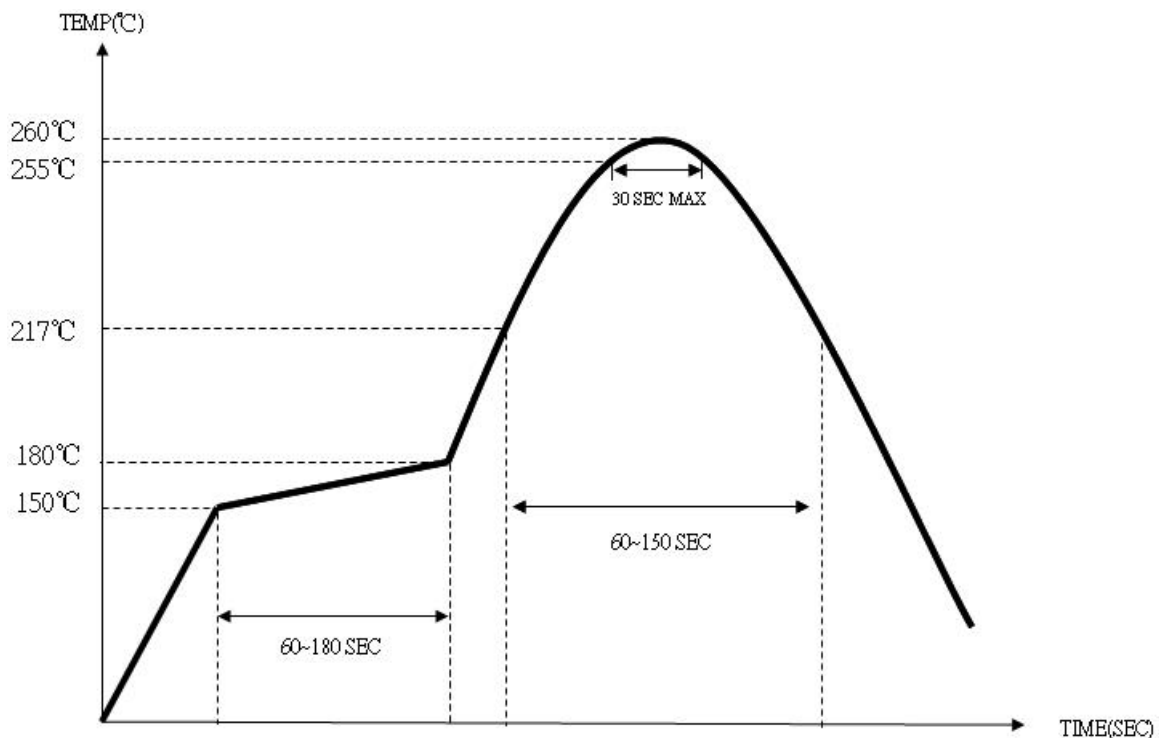


\*\*\* In the case, the cover tape is pulled off under the above conditions, the cover tape adhesion strength should be 10.2g~71.4g

Plastic tape: 10.2g~71.4g

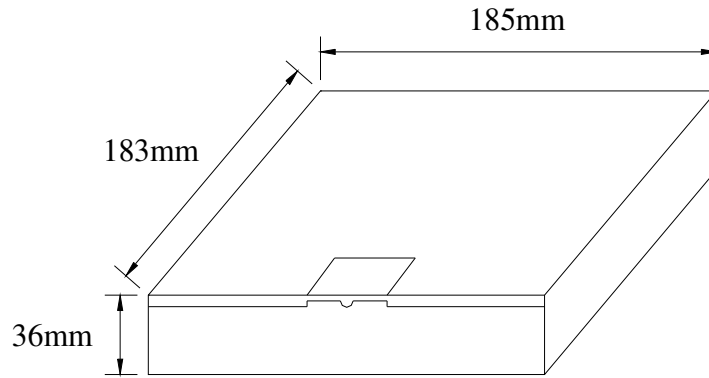
(Cover tape adhesion strength)

## 7. SOLDERING REFLOW PROFILE

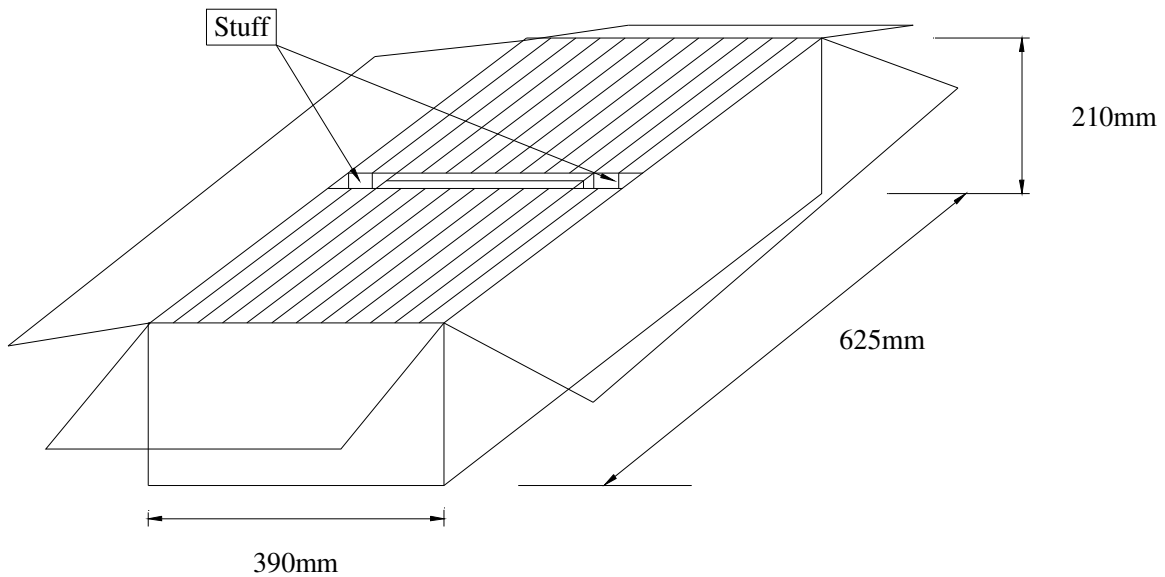


|                   |   |                   |
|-------------------|---|-------------------|
| CUST. P/N         | : |                   |
| Aker Approved P/N | : | CXA-027000-3D4D21 |
| APPROVED          | : | Xtal              |
| PREPARED          | : | Kiku              |
|                   |   | SHEET : 7 of 9    |
|                   |   | REV . : 1         |

**8. PACKING :**



BOX = 3000 PCS / REEL(MAX)



SMD product packs 32 BOX=The outside box packs (3000 PCS \*32 BOX = 96000 PCS)(MAX)





|                   |   |                   |
|-------------------|---|-------------------|
| CUST. P/N         | : |                   |
| Aker Approved P/N | : | CXA-027000-3D4D21 |
| APPROVED          | : | Xtal              |
| PREPARED          | : | Kiku              |
|                   |   | SHEET : 8 of 9    |
|                   |   | REV . : 1         |

## 9 . MECHANICAL PERFORMANCE

| TEST ITEMS  | TEST METHODS AND TEST CONDITION  | PERFORMANCE                             |
|---|--|---|
| 9.1 Drop Test   | The specimen is measured for its frequency and resistance before the test. It is then dropped from a height of 100 cm or more as a free fall object onto a hard wooden plate of 30mm or more in thickness.<br>( in accordance with JIS-C0044 )   | To satisfy the electrical performance . |
| 9.2 Vibration Test  | The specimen is measured for its frequency and resistance before the test. Most them into X,Y and Z axes, respectively, for the vibration test.<br>Vibration condition:<br>Frequency range ; 20 ~ 2000HZ<br>Peak to peak amplitude : 1.52 mm<br>Peak acceleration : 20G<br>Sweep time : 20 minute / axis<br>Pendicular total test time : 4 hours<br>( in accordance with MIL-STD-883F : 2007.3 )   |   |
| 9.3 Resistance to Soldering Test  | The specimen is measured for its frequency and resistance before the test. Place the specimen on the belt of the conveyance and let it pass through the reflow with the presettted temperature condition. After passing twice the reflow place,the specimen under the referee condition for ~2 hours and then measure its electrical performance.<br>Temperature Condition of IR Simulation:<br>The temperature range of the preheated section is setted at 150 ~ 180°C for 60~120 sec. For the next section the temperature range is setted at 217~260°C for 45~90 sec. and within this time range the specimen should be able to sustain at the peak temperature, 260+/-3°C , for 10 sec long.<br>( in accordance with JESD22-B106-B ) |   |
| 9.4 Fine Leak Test  | Place the specimen in a pressurized container and pressurize it with the detection gas ( mixed gas consisting of 95% or more helium ) for at least 2 hours. Complete the measurement of the concentration of helium within 30 min after taking it out from the pressurized container.<br>( in accordance with MIL-STD-883F : 1014.11 )   |   |
| The referee condition .<br>Temperature $25 \pm 2$ °C<br>Humidity 44 ~ 55 %<br>Pressure 86 ~ 106 kPa<br>( in accordance with MIL-STD-883E : 1014.9 ) |  |   |



|                                       |                     |
|---------------------------------------|---------------------|
| CUST. P/N :                           |                     |
| Aker Approved P/N : CXA-027000-3D4D21 |                     |
| APPROVED :                            | Xtal SHEET : 9 of 9 |
| PREPARED :                            | Kiku REV . : 1      |

## 10 . CLIMATIC RESISTANCE

| TEST ITEMS                            | TEST METHODS AND TEST CONDITION   | PERFORMANCE                             |
|---------------------------------------|---|---|
| 10.1 Low Temp Exposure Test           | <p>The specimen is measured for its frequency and resistance before the test .</p> <p>Place the specimen in the chamber and kept it at the temperature of <math>- 40 \pm 3^{\circ}\text{C}</math> for <math>168 \pm 6</math> hours .</p> <p>Take the specimen out of the chamber and measure its electrical performance after leaving 1 ~ 2 hours under the referee condition. ( in accordance with JIS-C0020 )</p>   | To satisfy the electrical performance . |
| 10.2 Aging Test                       | <p>The specimen is measured for its frequency and resistance before the test .</p> <p>Place the specimen in the testing chamber and keep it at the temperature of <math>+ 125 \pm 3^{\circ}\text{C}</math> for <math>720 \pm 48</math> hours. And then take the specimen out of the chamber and measure its electrical performance after leaving for 1 ~ 2 hours under the referee condition . ( in accordance with JIS-C0021 )</p>   |   |
| 10.3 High Temperature & High Humidity | <p>The specimen is measured for its frequency and resistance before the test .</p> <p>Place the specimen in the testing chamber and kept it at the temperature of <math>+ 85 \pm 5^{\circ}\text{C}</math> and humidity of <math>85 \pm 5\%</math> for <math>168 \pm 6</math> hours.and then take the specimen out and measure its electrical performance after leaving for 1 ~ 2 hours under the referee condition. ( in accordance with MIL-STD-883F : 1004.7 )</p>  |   |
| 10.4 Temperature Cycle Test           | <p>The specimen is measured for its frequency and resistance before the test .</p> <p>Subject the specimen to the 100 cycles of temperature ranges stated below .</p> <p style="text-align: center;">High temp . <math>+ 125 \pm 3^{\circ}\text{C}</math> ( <math>15 \pm 3</math> min ).</p> <div style="text-align: center;"> <p style="text-align: center;">Low temp . <math>-55 \pm 3^{\circ}\text{C}</math> ( <math>15 \pm 3</math> min ).</p> </div> <p>Measure its electrical performance after leaving it for 1 ~ 2 hours under the referee condition . ( in accordance with MIL-STD-883F : 1010.8 )</p> |   |