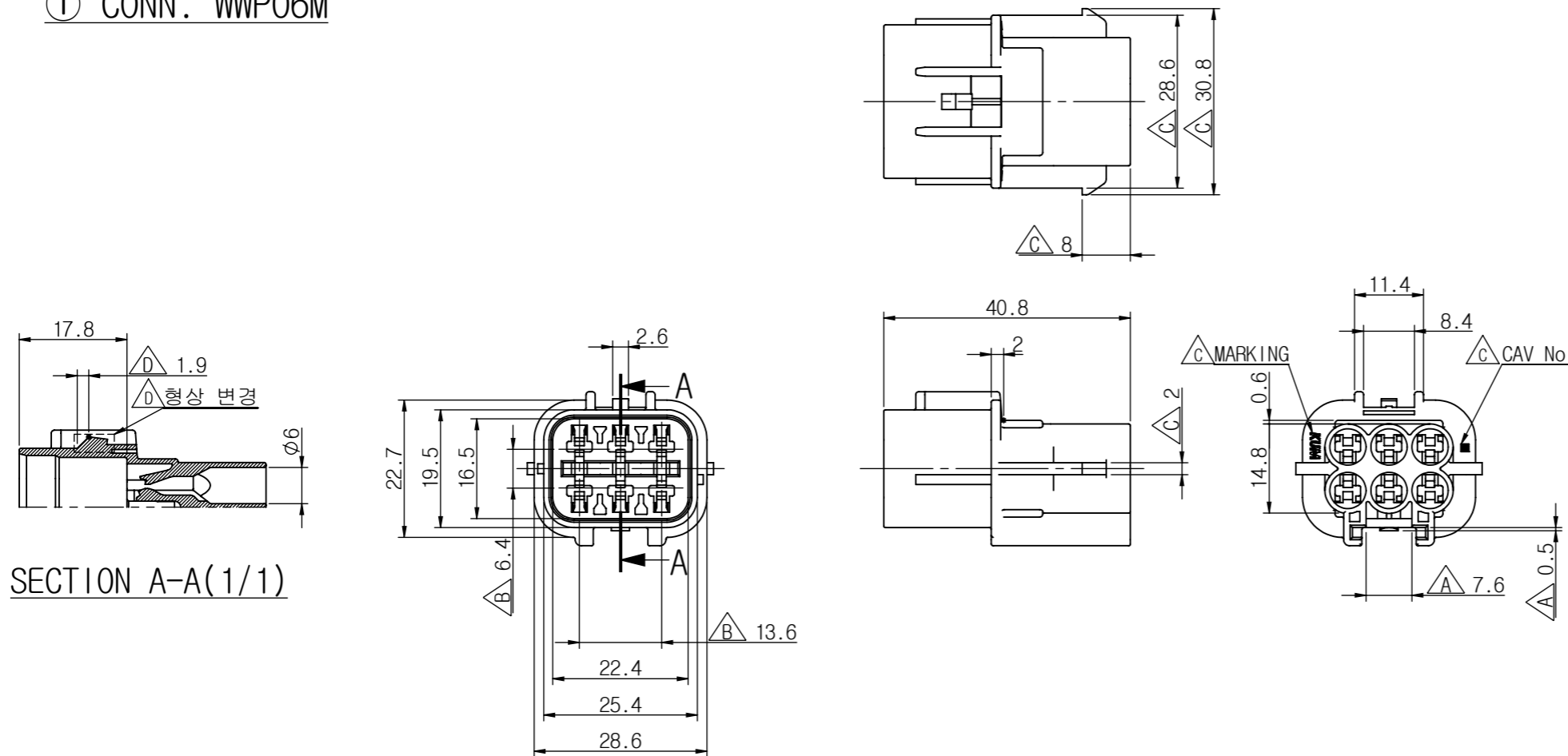


- 주 기 -

① CONN. WWP06M



- MARKING 및 CAV.No는 당사 규정에 의하여 각인 할 것.
- 상대 MATCHING CONNECTOR : PB045-06027
- ASSY 부품
  - FRONT HOLDER : PB051-03900
  - TERMINAL

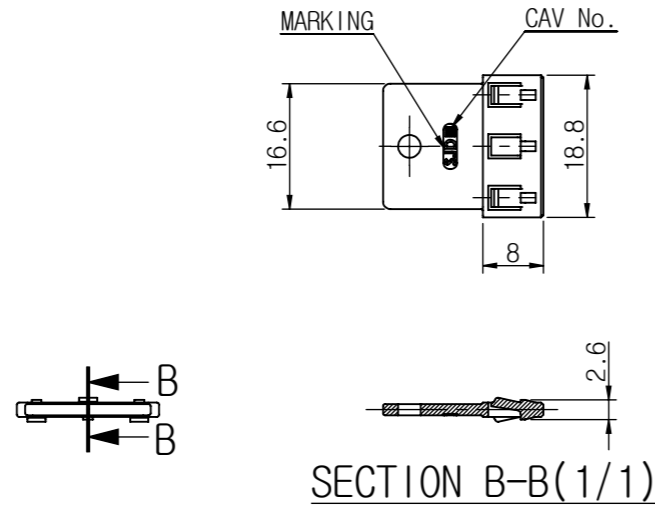
적용 전선(SQ)	PART NAME	PART No
AV, AVS, AVSS 0.3-0.5 / AVX, AEX 0.5	WWP-M-S	MT091-40030
AV, AVS, AVSS, AVX, AEX 0.85-2	WWP-M-M	MT091-40230
AV, AVS, AVSS 0.3-0.5 / AVX, AEX 0.5	WWP-M-S-Au	MT091-40060
AV, AVS, AVSS, AVX, AEX 0.85-2	WWP-M-M-Au	MT091-40260

3) WIRE SEAL

적용 전선(SQ)	PART NAME	PART No
AV, AVS, AVX, AEX 1.25-2 / AVSS 2	W/S WWP-L	RS130-01000
AV, AVS 0.3-0.85 / AVX, AEX 0.5-0.85 / AVS 1.25	W/S WWP-S	RS130-03000
AVSS 0.3-0.85	W/S WWP-SC	RS130-06000
막음 SEAL용 PIN	WWP S/P	PZ001-14021

- 본 부품은 방수형 CONNECTOR임.

② F/H WWP03M



NO.	DATE	NOTE No.	SYM	ALTERATION	DWN
CJW	15.11.09	E015-0385	$\Delta$ D	형상 변경 (2개소)	LJW
CJW	04.07.14	AH04034	$\Delta$ C	형상 변경 (6개소)	SSJ
CJW	02.08.29	-	$\Delta$ B	치수 추가 (3개소)	KMH
CJW	01.02.13	-	$\Delta$ A	형상 변경 (2개소)	JSJ
CJW	94.07.25	-	$\Delta$ -	신 규	KDK

NO.	PART NAME	PART No.	COLOR	MATERIAL	DRAWING NAME	DRAWING No.
②	F/H WWP03M-OR	PB051-03900	ORANGE	PA	WWP06M-B	
①	WWP06M-B	PB041-06020	BLACK	PBT		PB041-06020-C01D
THIRD ANGLE PROJECTION	A	1/2(1/1)	KJH	KJH	KNJ	CJW
TOLERANCE	SCALE	DESIGN	DRAWN	CHECKED	APPROVED	

**KUM** 케이유엠

GENERAL TOLERANCE

	10MAX	50MAX	100MAX	150MAX	200MAX	200VR	ANGLE
A	±0.2	±0.3	±0.5	±0.8	±1.0	±1.4	±30'