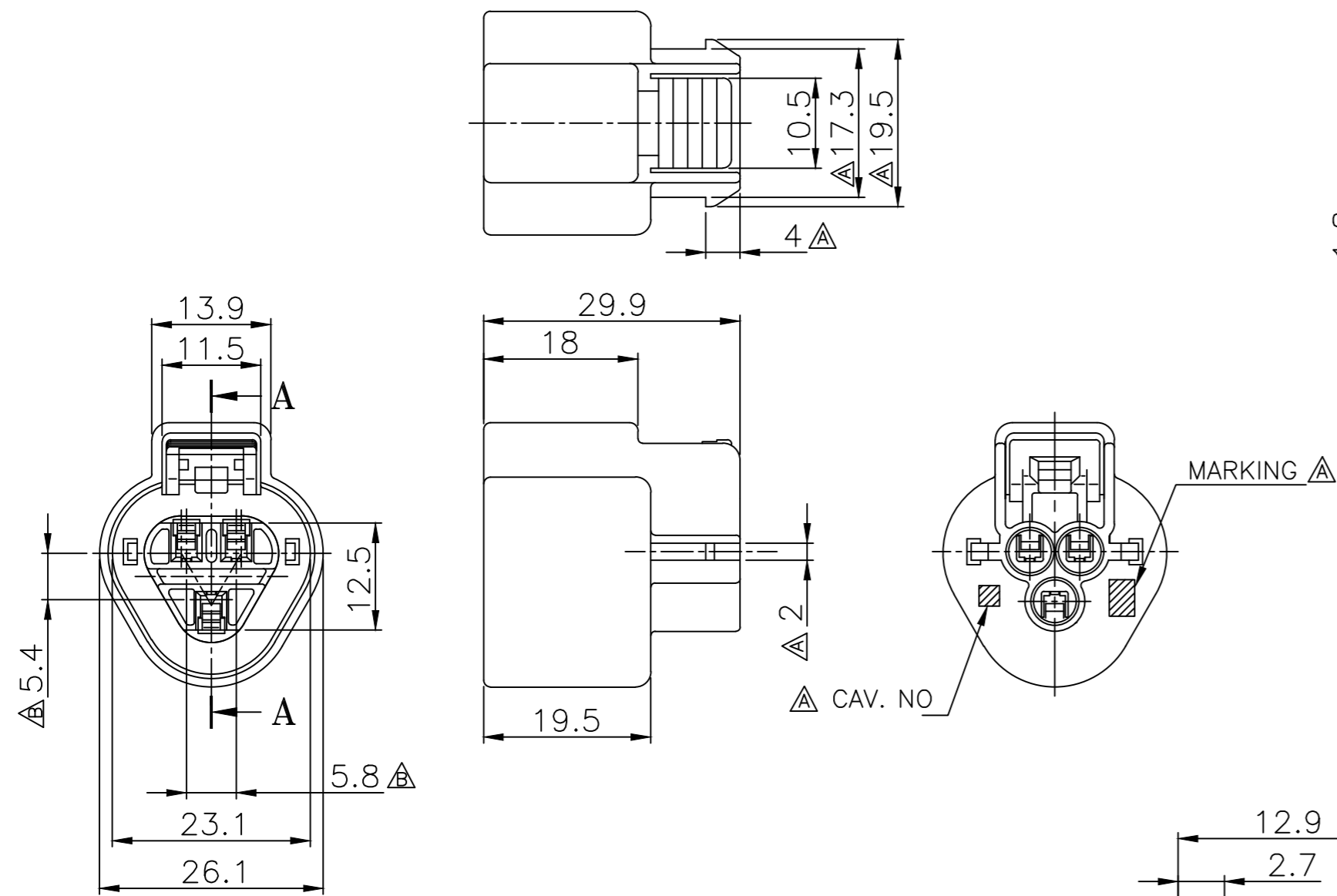
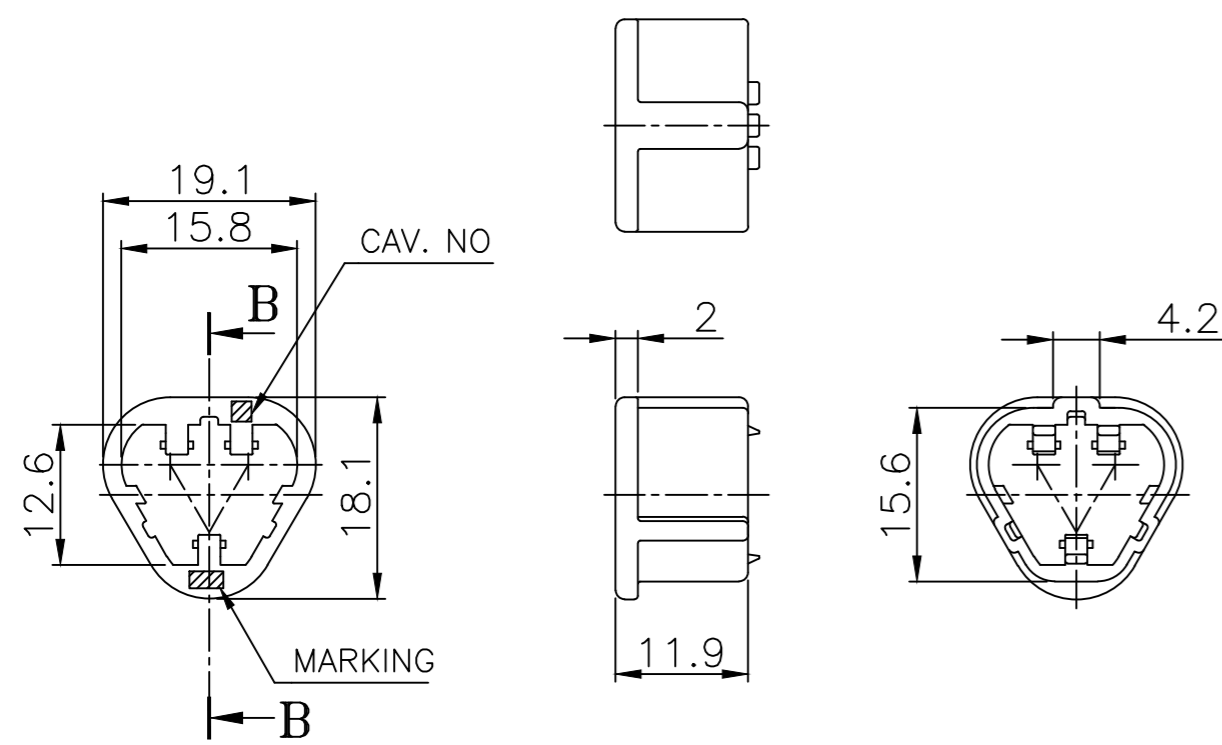


CUSTOMER DRAWING

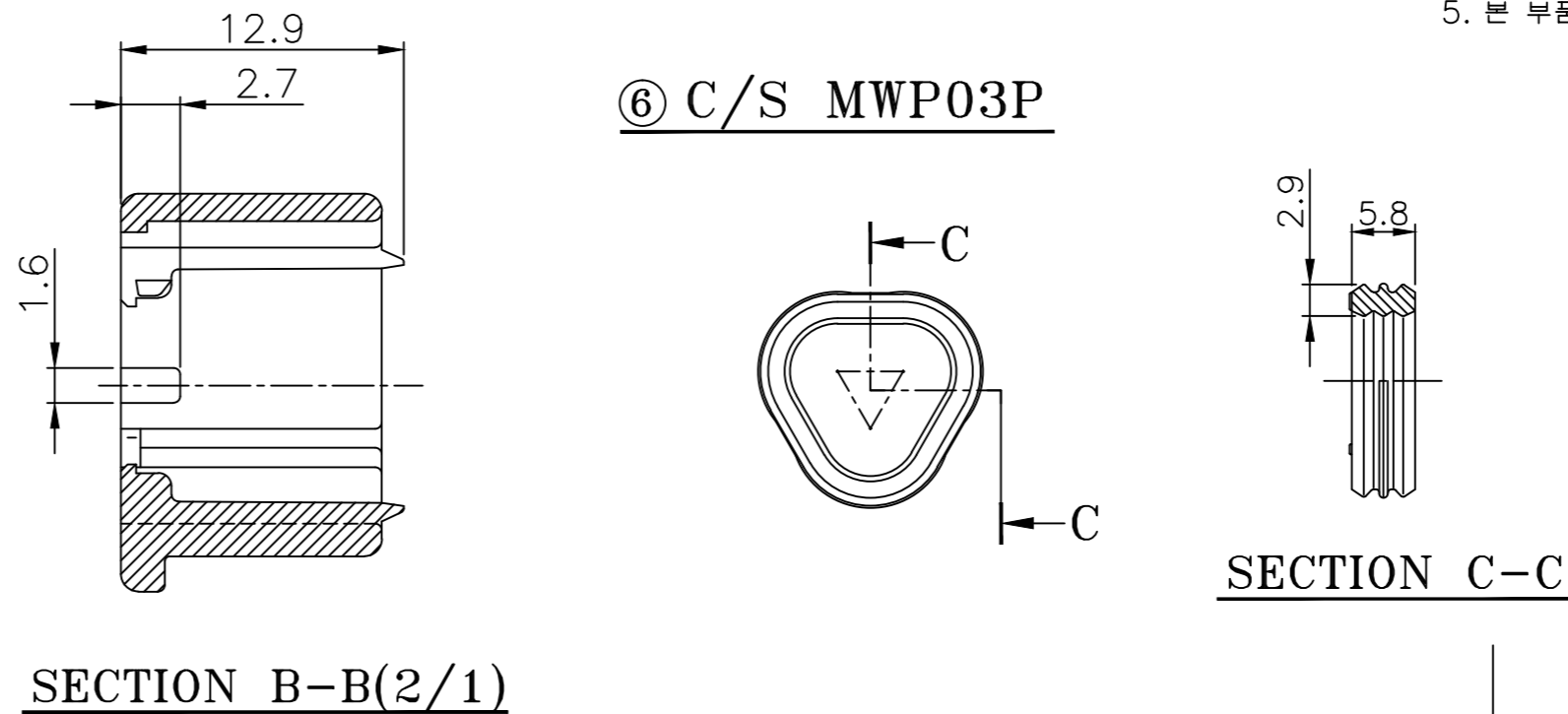
①②③④ CONN. NMWP03F



⑤ F/H NMWP03F



⑥ C/S MWP03P



— 주 기 —

- MARKING 및 CAV. NO는 당사 규정에 의하여 각인 할 것.
- 상대 MATCHING CONNECTOR : NMWP CONN. TAB류.
- ASSY 부품
 - FRONT HOLDER : PB875-03880
 - CONNECTOR SEAL: RS210-03000
 - TERMINAL

적용 전선(SQ)	PART NAME	PART NO.
AV,AVS,AVSS 0.3~0.5 / AVX,AEX 0.5	NMWP-F-S	MT095-63080
AV,AVX,AEX,AVS,AVSS 0.75~0.85sq, AESX 0.75~0.85sq, 테프론 0.61sq	NMWP-F-SM	TN025-00200
AV,AVX,AEX,AVS,AVSS 1.25sq~2.0sq	NMWP-F-M	MT095-63280
AV,AVS,AVSS 0.3~0.5 / AVX,AEX0.5	NMWP-F-S-Au	MT095-63060
AV,AVX,AEX,AVS,AVSS 0.75~0.85sq, AESX 0.75~0.85sq, 테프론 0.61sq	NMWP-F-SM-Au	TN025-00210
AV,AVX,AEX,AVS,AVSS 1.25sq~2.0sq	NMWP-F-M-Au	MT095-63260

적용 전선(SQ)	PART NAME	PART No.
AV,AVS 0.3 / AVSS 0.3~0.85sq, AESX 0.75~0.85sq, 테프론 0.61sq	W/S MWP-0.3	RS220-01100
AV 0.5,AVSS1.25/AVS,AVX,AEX0.5~0.85	W/S MWP-SS	RS220-04100
AV 0.75~0.85, AVS 1.25	W/S MWP-S	RS220-02100
AVS,AVSS 2.0 / AV,AVX,AEX 1.25~2.0	W/S MWP-W	RS220-03100
막음SEAL용 PIN	NMWP S/P ASSY	PZ001-15022

4. ASSY PART NO.

ASSY P/NAME	ASSY P/NO.	①	②	③	④	⑤	⑥
CONN. NMWP03F-B ASSY	PB625-03027	●					●
CONN. NMWP03F-B-L ASSY	PB625-03647		●				●
CONN. NMWP03F-B-BR ASSY	PB625-03657			●			●
CONN. NMWP03F-B-GY ASSY	PB625-03727				●		●

5. 본 부품은 방수형 CONNECTOR임.

NO.	PART NAME	PART NO.	COLOR	MATERIAL
⑥	C/S MWP03P-BR	RS210-03000	BROWN	흑수 SI-RUBBER
⑤	F/H NMWP03F-LG	PB875-03880	LIGHT GREEN	PBT
④	CONN. NMWP03F-B-GY	PB625-03720	GRAY	PBT
③	CONN. NMWP03F-B-BR	PB625-03650	BROWN	PBT
②	CONN. NMWP03F-B-L	PB625-03640	BLUE	PBT
①	CONN. NMWP03F-B	PB625-03020	BLACK	PBT

승인	DATE	NOTE NO.	SYM	ALTERATION	담당
CJW	06.07.28	E006-0040	C	TML 사양추가 및 적용전선사양변경(5개소)	SSJ
CJW	02.07.03	-	B	치수 추가(2개소)	KMH
CJW	99.12.20	-	A	형상 변경(6개소)	LSM
CJW	96.11.11	-	-	신 규	KKL

DRAWING NAME CONN. NMWP03F-B ASSY

DRAWING NO. PB625-03027-C01C

GENERAL TOLERANCE

	10MAX	50MAX	100MAX	150MAX	200MAX	200VR	ANGLE
A	±0.2	±0.3	±0.5	±0.8	±1.0	±1.4	±30'

THIRD ANGLE PROJECTION

TOLERANCE	SCALE	DESIGN	DRAWN	CHECKED	APPROVED
A	1/1(2/1)	KKL	KMH	KNJ	CJW

KUM

케이유엠