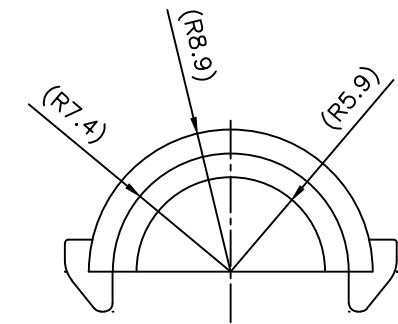
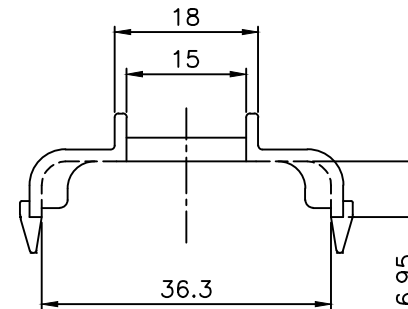
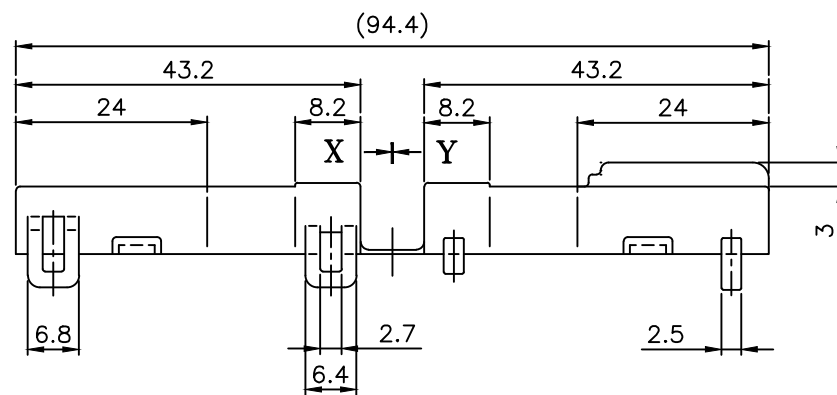
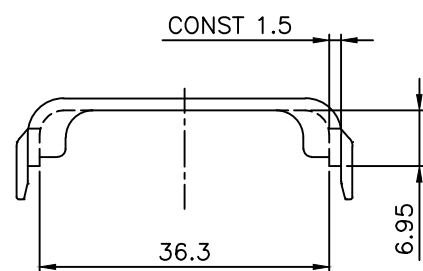
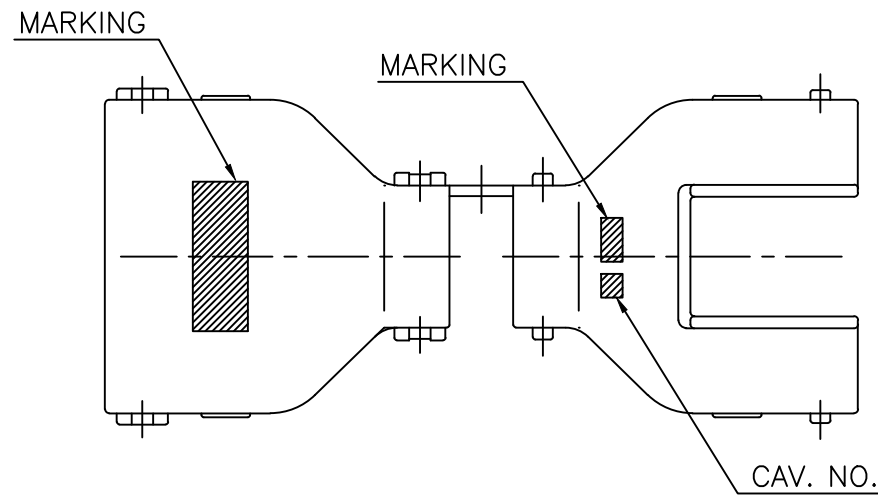


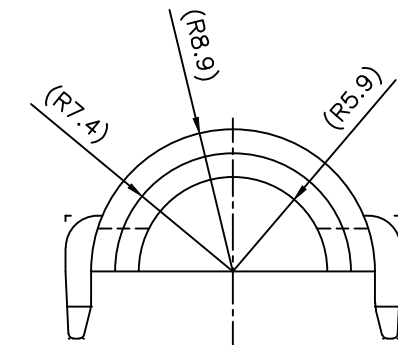
CUSTOMER DRAWING

— 주 기 —

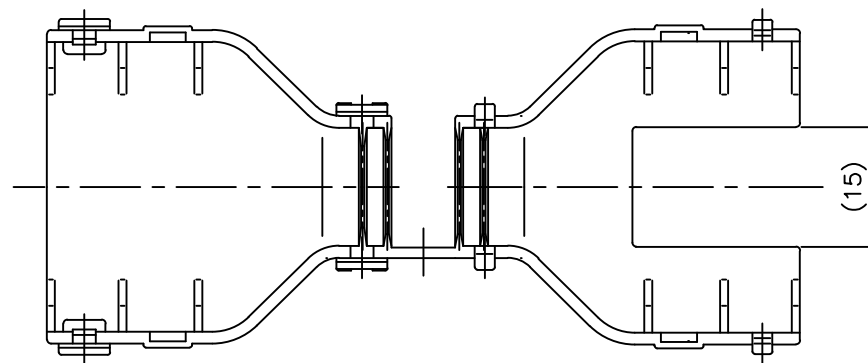
1. 사용상 유해한 흠, BURR등이 없을 것.
2. 지시하지 않은 R은 0.3
3. MARKING 및 CAV. NO.는 당사 규정에 의하여 각인할 것.
4. MATCHING CONNECTOR : PB621-10020
5. 적용 CORRUGATED TUBE : ϕ 11



VIEW-X(2/1)



VIEW-Y(2/1)



K.K.L	01.01.18	-		신 규	C.Y.M
승인	DATE	NOTE NO.	SYM	ALTERATION	담당

DRAWING NAME COVER NMWP10M-B

DRAWING NO. HV011-10020-C01

GENERAL TOLERANCE							
	10MAX	50MAX	100MAX	150MAX	200MAX	200VR	ANGLE
A	±0.2	±0.3	±0.5	±0.8	±1.0	±1.4	±30'

COVER NMWP10M-B		HV011-10020		BLACK	PA
PART NAME		PART NO.		COLOR	MATERIAL
THIRD ANGLE PROJECTION	A	1/1 (2/1)	C.Y.M	C.Y.M	K.K.L
	TOLERANCE	SCALE	DESIGN	DRAWN	CHECKED APPROVED

KUM 케이유엠