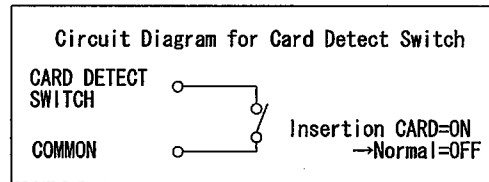
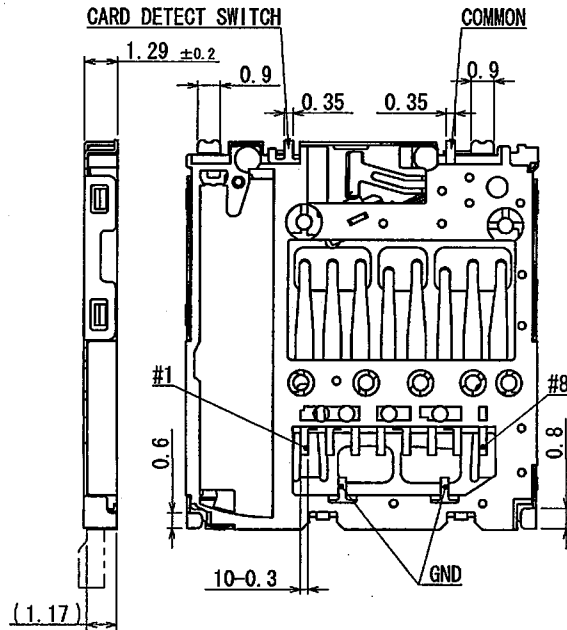
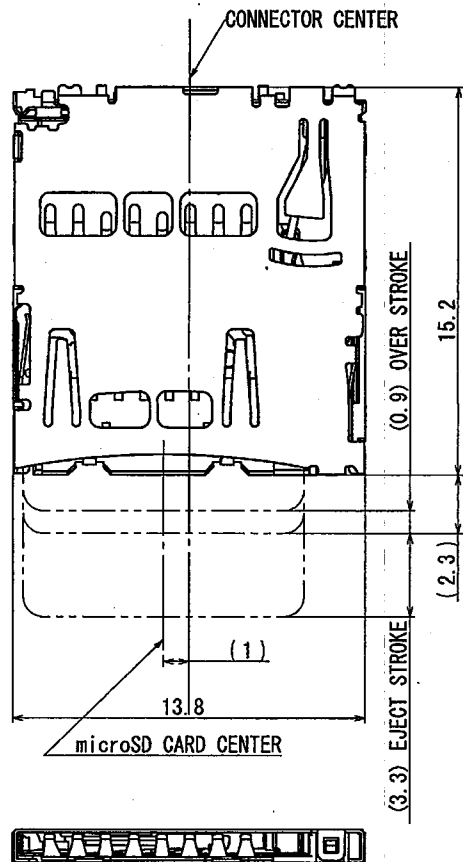


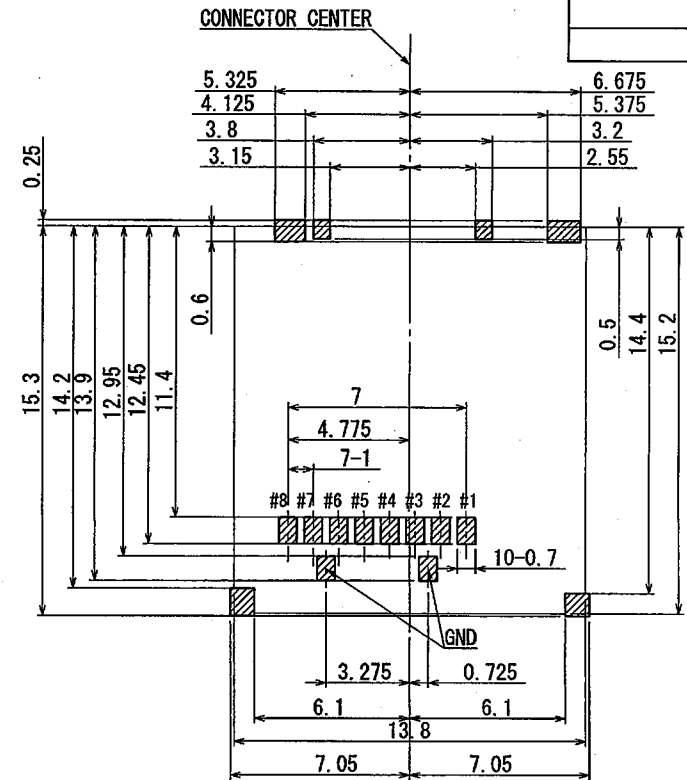
PIN	SD Mode
#1	DAT2
#2	DAT3/CD
#3	CMD
#4	V _{DD}
#5	CLK
#6	V _{SS}
#7	DAT0
#8	DAT1

Pin Assignments



PRELIMINARY

背景
BACK GROUND
PP08108



▨ PATTERN AREA
□ NO PATTERN AREA

RECOMMENDED P. C. BOARD LAYOUT
TOLERANCES UNLESS OTHERWISE SPEC. ±0.05

NOTE 1. This connector is standard mount type.
2. All terminal coplanarity : 0.1mm max.

TOLERANCES UNLESS OTHERWISE SPEC

BASIC DIMENSIONS TOLERANCES

UP TO 10 ±0.3

ABOVE 10 TO 100 ±0.5

ABOVE 100 ±0.8

ANGULAR DIMENSION ±5°

SYMB DATE APPD CHKD DSGD

ALPS ELECTRIC CO., LTD.

DSGD: Oct. 20, 2009 D2

SCALE

NO. SCHA4B0100 (1/2)

CHKD: Oct. 20, 2009

H. Sasaki

TITLE
PRODUCT DRAWING

A. Uchiyama

UNIT

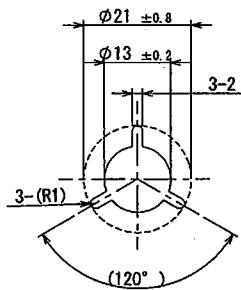
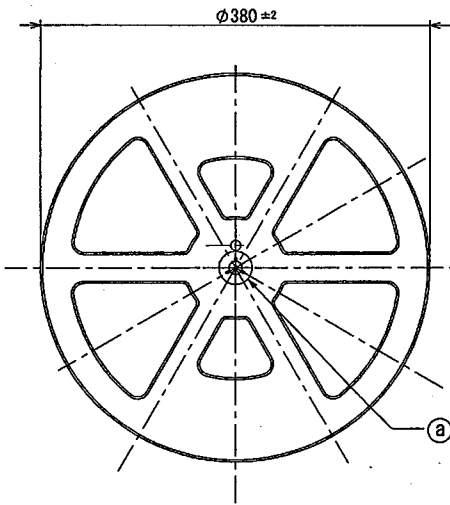
DOCUMENT NO.
SCHA4B0100. AE11. 003

APPD: Oct. 20, 2009
A. Uchiyama

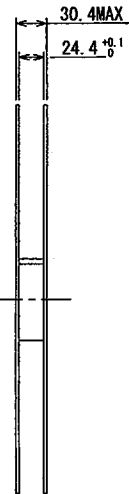
mm

PRELIMINARY

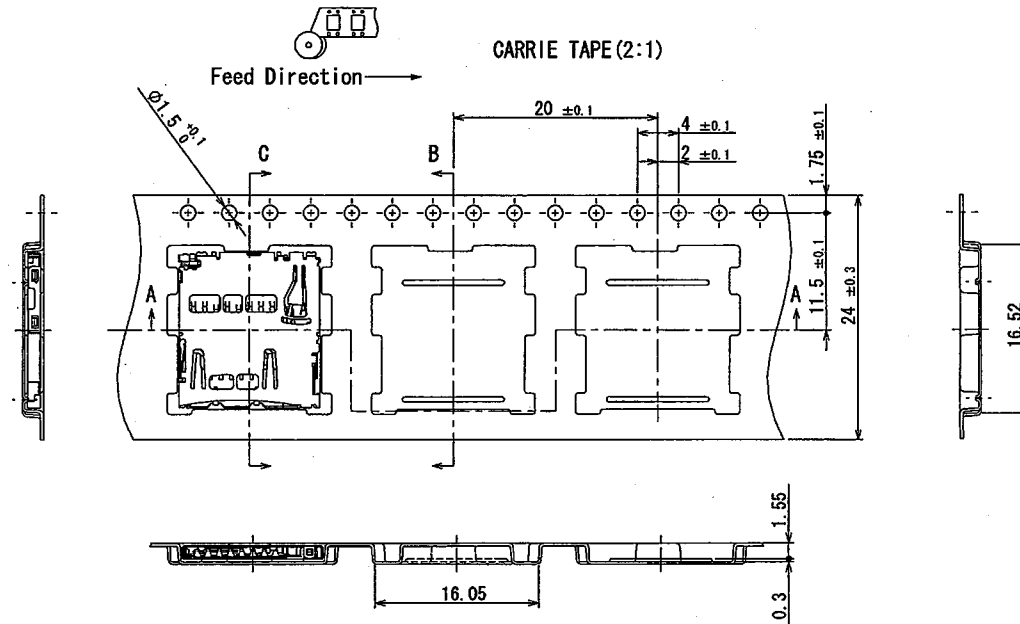
REEL CORE (1:5)



Detail of a



CARRIE TAPE (2:1)



1. SPECIFICATION OF TAPING: TAPE-S-029
NOTE

TOLERANCES UNLESS OTHERWISE SPEC		SYMB	DATE	APPD	CHKD	DSGD
BASIC DIMENSIONS	TOLERANCES					
UP TO 10	±0.3					
ABOVE 10 TO 100	±0.5					
ABOVE 100	±0.8					
ANGULAR DIMENSION	±5°					

ALPS ELECTRIC CO., LTD.

DSGD	Oct. 20, 2009 D2 H. Sasaki	SCALE	NO.	SCHA4B0100 (2/2)
CHKD	Oct. 20, 2009 <i>A. Uchiyama</i>		TITLE	PRODUCT DRAWING
APPD	Oct. 20, 2009 <i>A. Uchiyama</i>		UNIT	DOCUMENT NO.
			mm	