



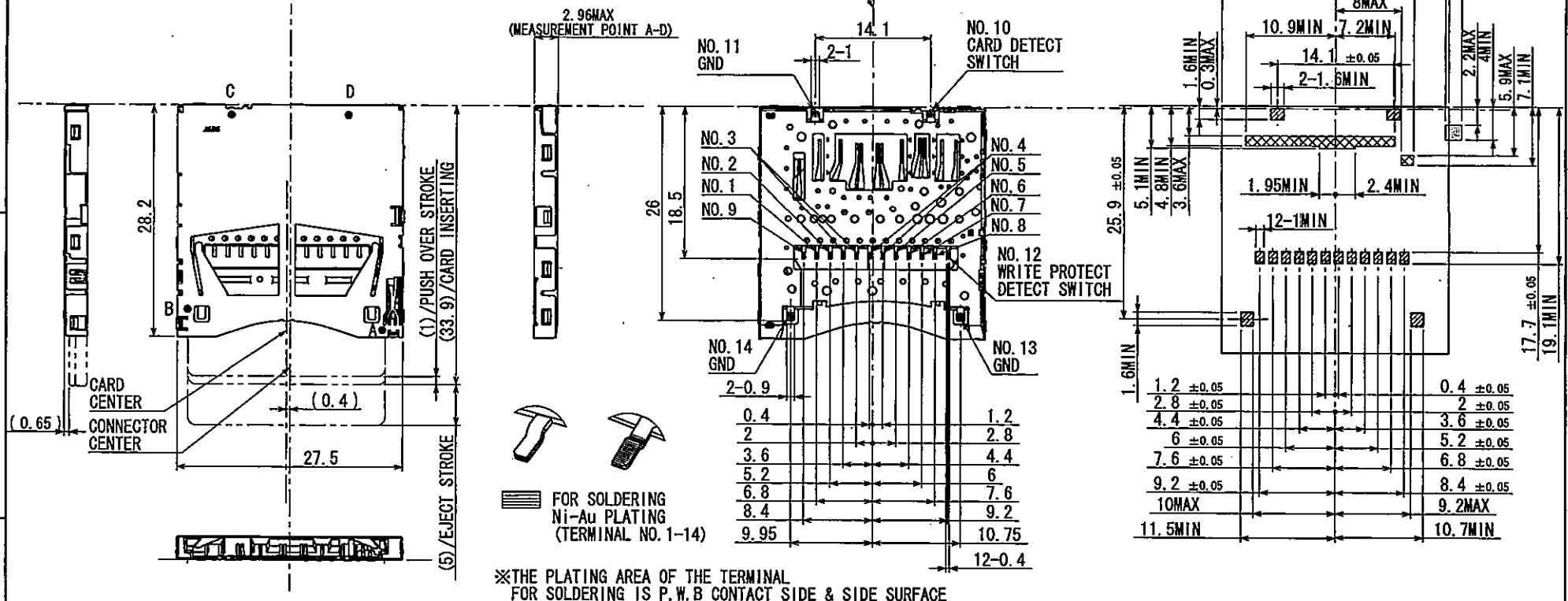
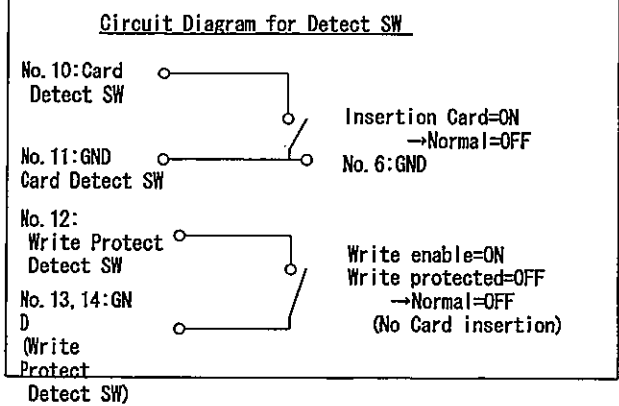


**PRELIMINARY**

Recommended P.W.B layout  
(Mounting face side)

-  LAND
-  NO PART AREA
-  NO PATTERN AREA
-  NO PATTERN EXPOSE AREA

BACK GROUND
SCDA9A0500




NOTES 1) ALL TERMINALS COPLANARITY:0.1MAX. (INITIAL)  
2) THE HEIGHT OF THE PRODUCT IS MEASURED WITH DIGITAL HEIGHT GAUGE.

TOLERANCES UNLESS OTHERWISE SPEC

BASIC DIMENSIONS	TOLERANCES
UP TO 10	±0.3
ABOVE 10 TO 100	±0.5
ABOVE 100	±0.8
ANGULAR DIMENSION	±5°

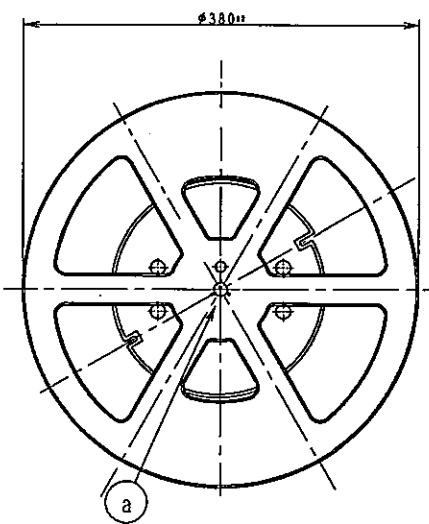
**ALPS ELECTRIC CO., LTD.**

DSGD. Oct. 26, 2010 H. SASAKI	SCALE	NO.
CHKD. Oct. 26, 2010 I. G. Yoshida		TITLE
APPD. Oct. 26, 2010 I. G. Yoshida		PRODUCT DRAWING (1/2)
	UNIT	DOCUMENT NO.
	mm	SCDA9A0500, AE12, 003

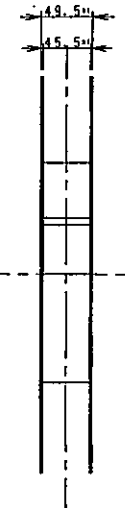
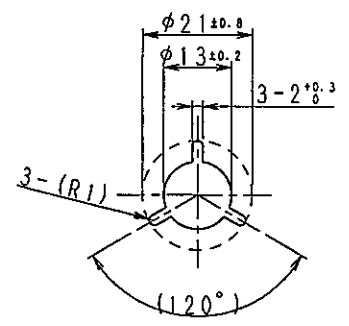
FOLD 5

**PRELIMINARY**

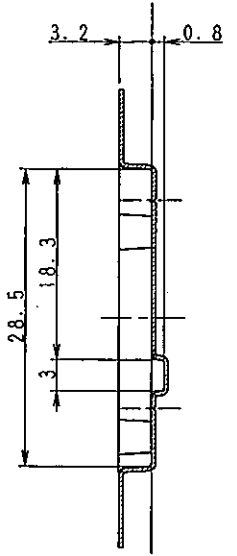
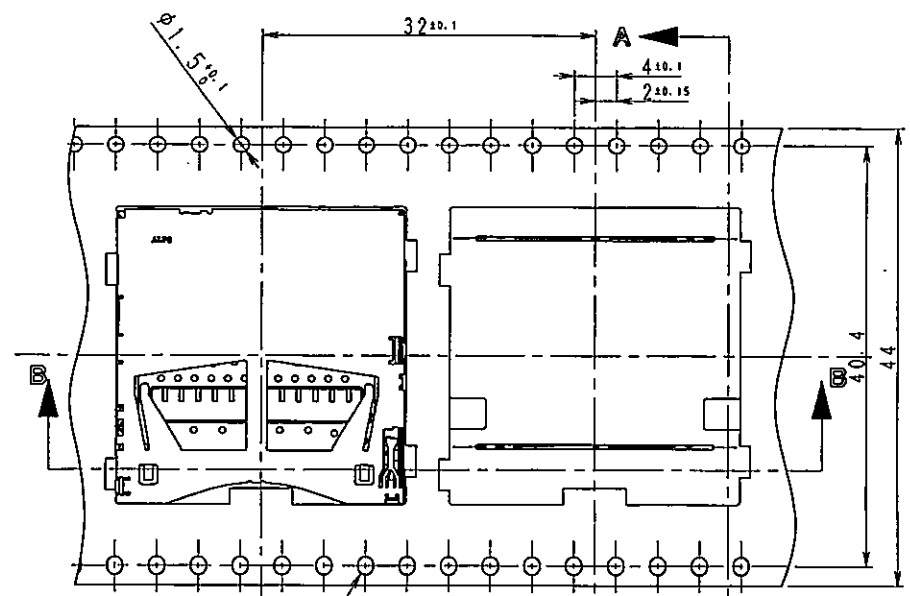
REEL CORE (1:5)



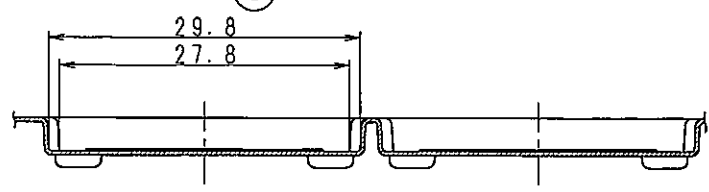
DETAIL @ (1:1)



CARRIER TAPE (2:1)

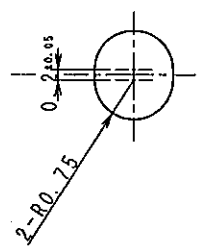


SEC A-A



SEC B-B

DETAIL @ (10:1)



NOTE 1. SPECIFICATION OF TAPING: TAPE-S-013

TOLERANCES UNLESS OTHERWISE SPEC.	
10 UNDER	±0.3
ABOVE 10 TO 100	±0.5
ANGULAR DIMENSION	±3°

ZONE	SYMB	DATE	APPD	CHKD	DSGD

**ALPS ELECTRIC CO., LTD.**

DSGD. Oct. 26, 2010 H. SASAKI	SCALE /	MODEL No. (製品号) SCDA9A0500 (2/2)
CHKD. <i>Oct. 26, 2010</i> <i>H. Sasaki</i>		TITLE (TAPING) PRODUCT DRAWING (製品図)
APPD. <i>Oct. 26, 2010</i> <i>H. Sasaki</i>	UNIT mm	DOCUMENT NO. SCDA9A0500, AE22.003

FOLD 5