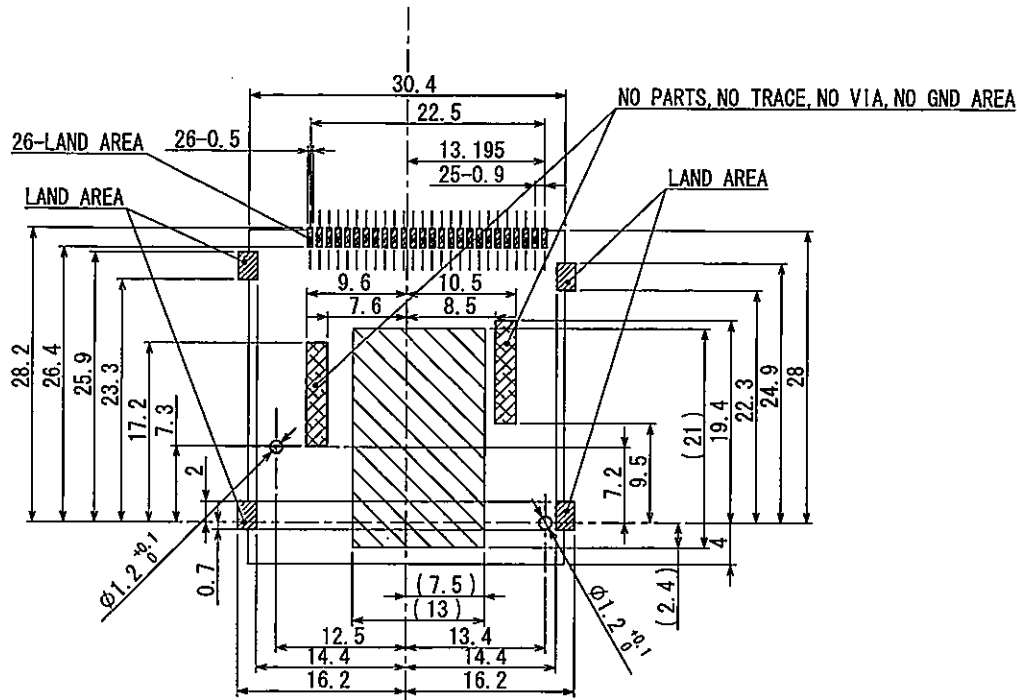

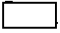

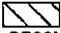
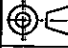




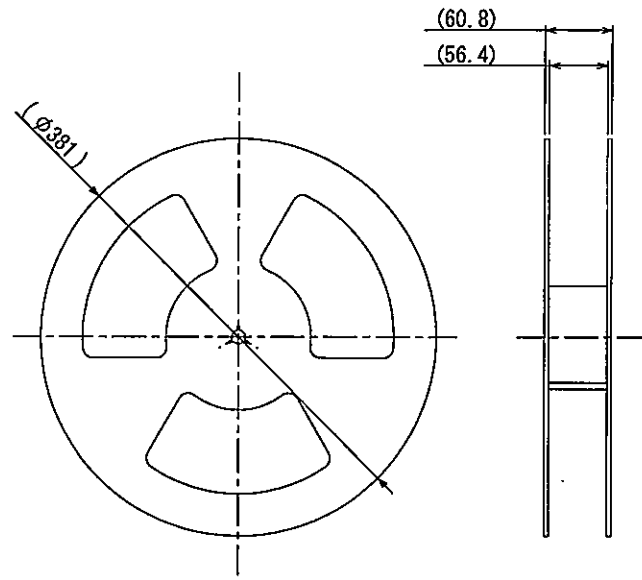
PRELIMINARY



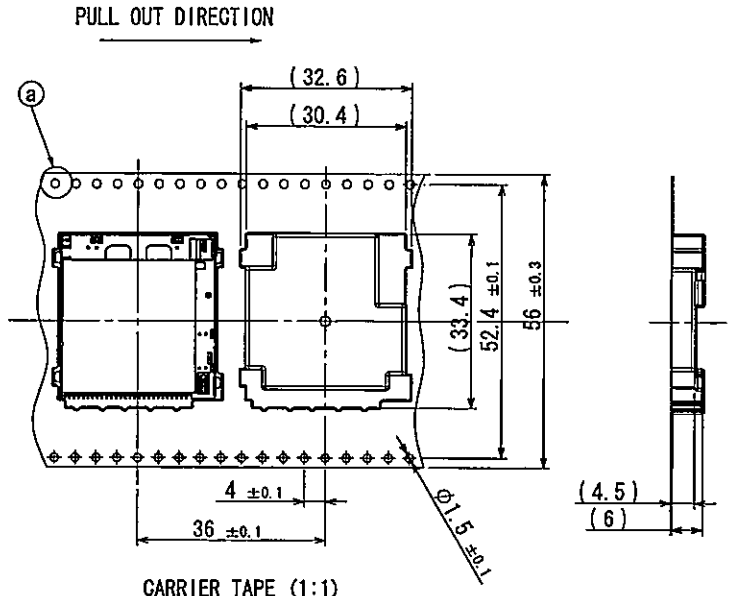
-  LAND AREA
-  ONLY GND TRACE EXPOSED POSSIBLE.  
NO PARTS / NO TRACE / NO VIA AREA
-  NO PARTS / NO TRACE / NO VIA / NO GND AREA
-  NO PARTS AREA  
RECOMMENDED P. W. BOARD LAYOUT  
ALL TOLERANCE UNDESCRIBED ARE  $\pm 0.05$

<b>ALPS ELECTRIC CO., LTD.</b>			
DSGD.	Mar. 02. 2012 Y. Arimori	SCALE	NO. SCDG6A0200
CHKD.	Mar. 02. 2012 T. Tanaka		TITLE PRODUCT DRAWING (2/3)
APPD.	Mar. 02. 2012 T. Tanaka	UNT mm	DOCUMENT NO. SCDG6A0200, AE23, 00
SYMB	DATE	AFFD	CHKD
			DSGD

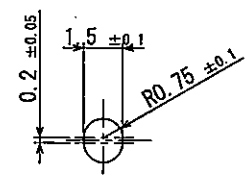
PRELIMINARY



REEL CORE



CARRIER TAPE (1:1)



Detail of (a)

2. Specification of taping : TAPE-S-050  
NOTE 1. 300pcs/reel

					<b>ALPS ELECTRIC CO., LTD.</b>		
		DSGD	Mar. 02. 2012 Y. Arimori	SCALE	NO. SCDG6A0200		
		CHKD	Mar. 02. 2012 T. Tanaka		TITLE PRODUCT DRAWING (3/3)		
		APPD	Mar. 02. 2012 T. Tanaka		UNIT mm	DOCUMENT NO. SCDG6A0200, AE33, 00	
SYMB	DATE	APPD	CHKD	DSGD			