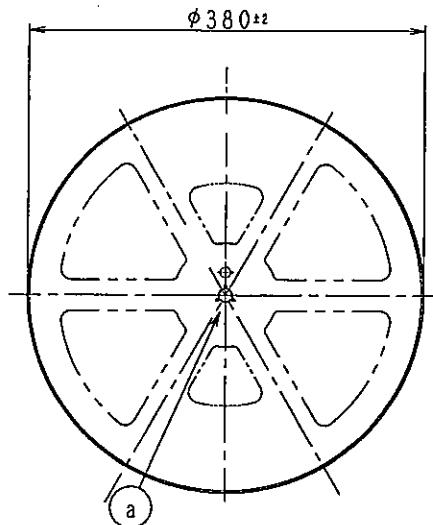
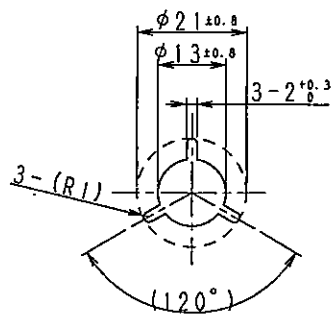


PRELIMINARY

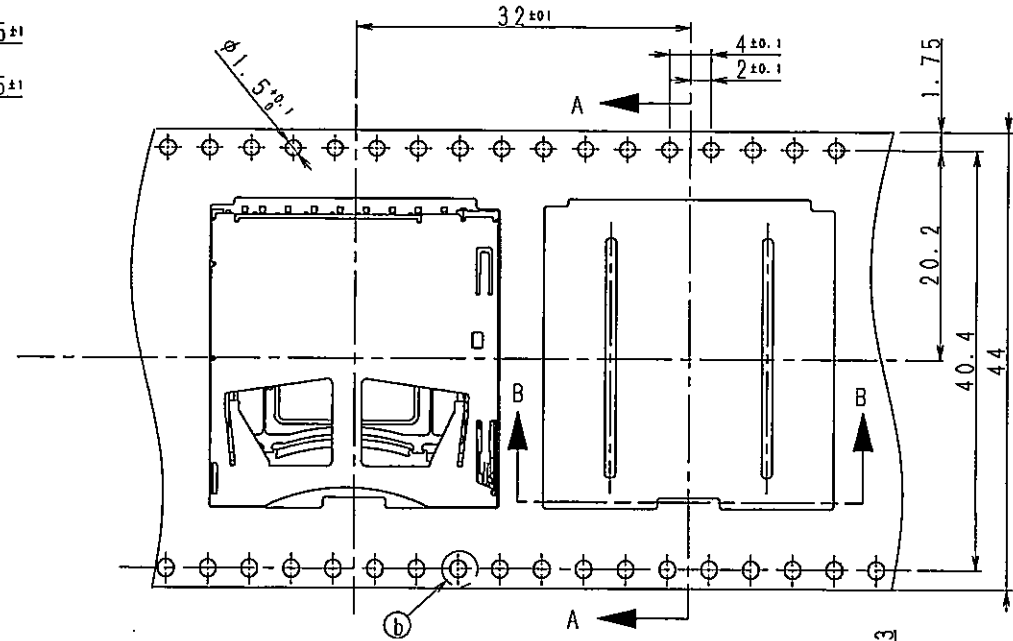
REEL CORE (1:5)



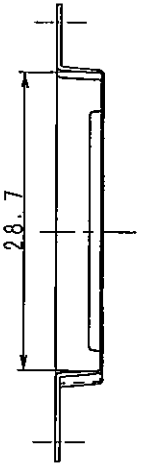
DETAIL (a) (1:1)



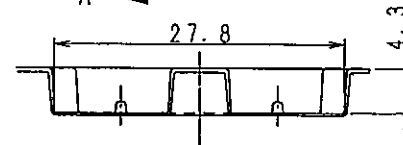
CARRIER TAPE (2:1)



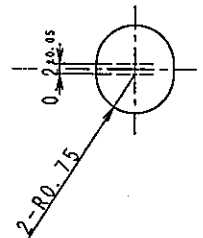
SECT A-A



SECT B-B



DETAIL (b) (10:1)



ALPS ELECTRIC CO., LTD.

TOLERANCES UNLESS OTHERWISE SPEC.		ZONE	SYMB	DATE	APPD	CHKD	DSGD
BASIC DIMENSION	TOLERANCE						
UP TO 10	±0.3						
ABOVE 10 TO 100	±0.5						
ABOVE 100	±0.8						
ANGULAR DIMENSION	±3°						

DSGD. Oct. 01. 2008
N. ISHIKAWA
CHKD. Oct. 01. 2008
A. UCHIYAMA
APPD. Oct. 01. 2008
Y. KURODA

SCALE	MODEL No. (製品番号)
UNIT	SCDA7A0600 (2/2)
TITLE	(TAPING)
PRODUCT DRAWING (製品図)	
DOCUMENT NO.	SCDA7A0600. AE22. 013

NOTE 1. SPECIFICATION OF TAPING: TAPE-S-013.

FOLD 5

FOLD 5