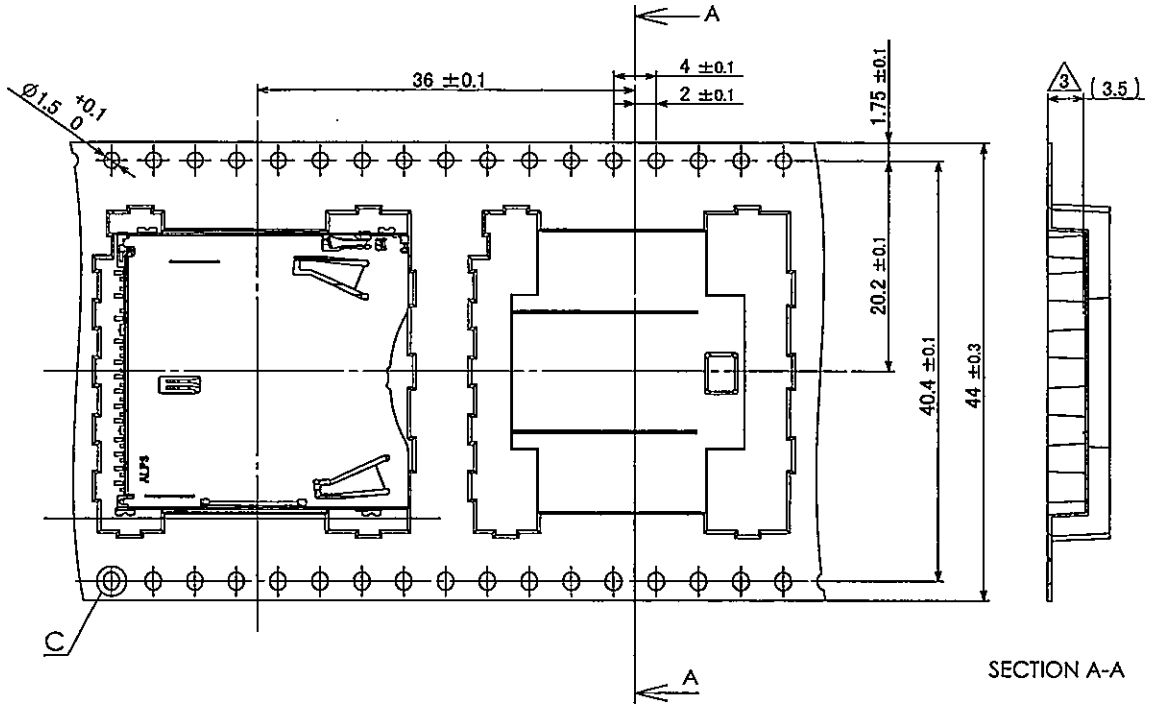
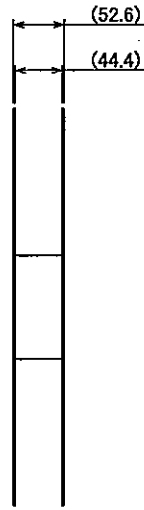
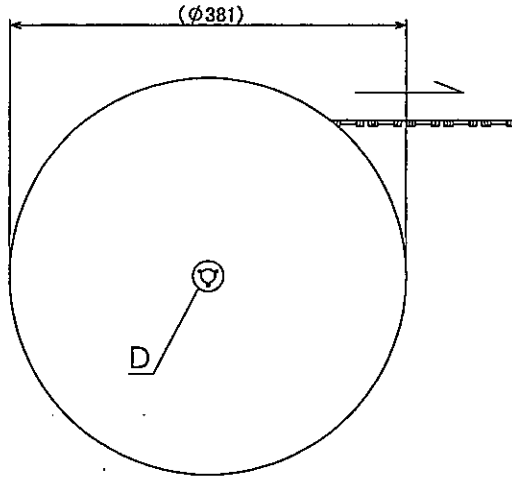


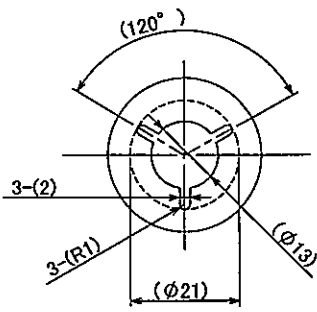


CARRIER TAPE (2:1)

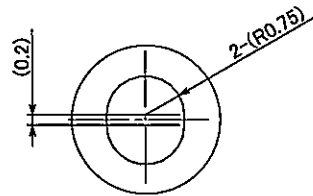
REEL CORE (1:5)



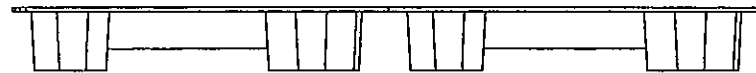
SECTION A-A



SECTION D (1:1)



SECTION C (1:1)



PRELIMINARY

注記 1.SPECIFICATION OF TAPING:TAPE-S-039

<b>ALPS ELECTRIC CO., LTD.</b>					
DSGD.	Aug 21. 2011	ALWU D36	SCALE	NO. SCDABA0800	
		Weijun. Qin			
CHKD.	Aug 21. 2011	ALWU D36		TITLE PRODUCT DRAWING (2/2)	
		Haidong. Shi			
APPD.	Aug 21. 2011		UNT	DOCUMENT NO.	
		A. uchiyama	mm	SCDABA0800, AE22, 03	
SYMB	DATE	APPD	CHKD	DSGD	