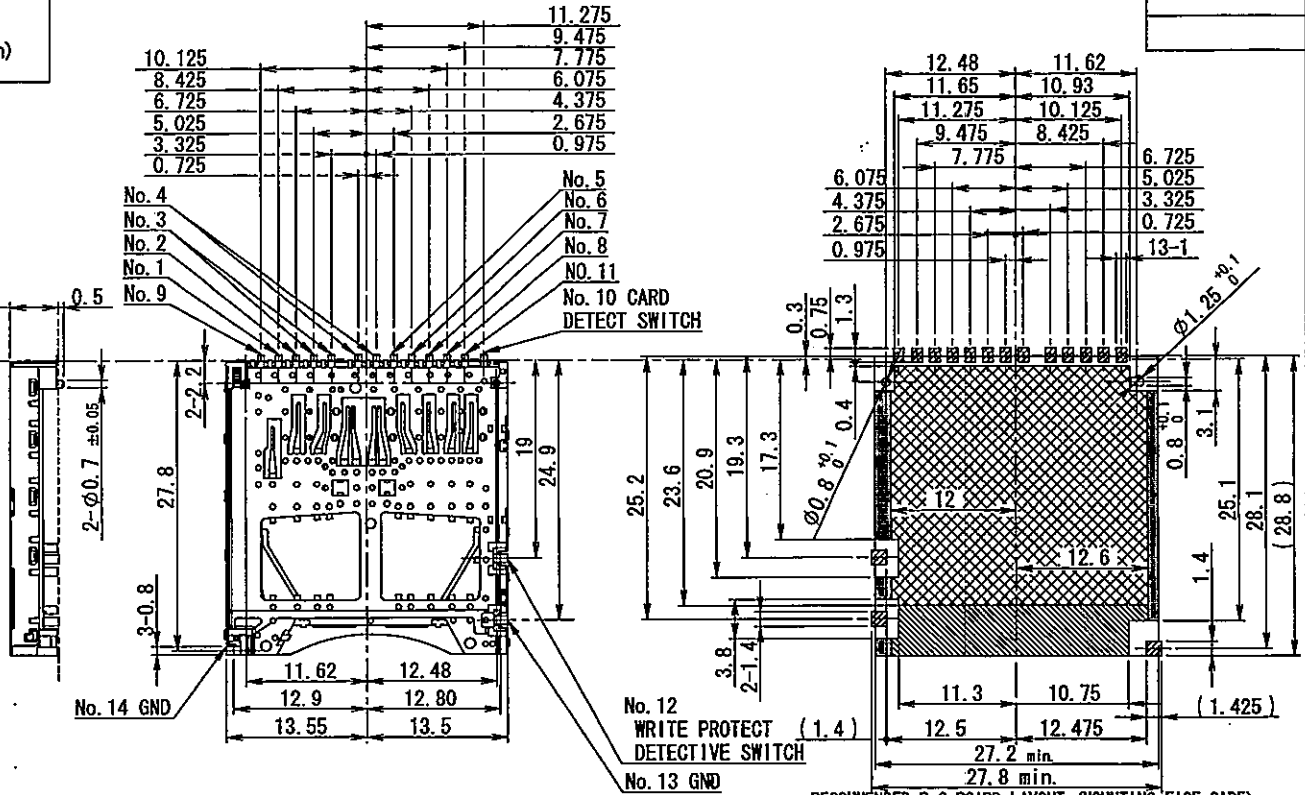
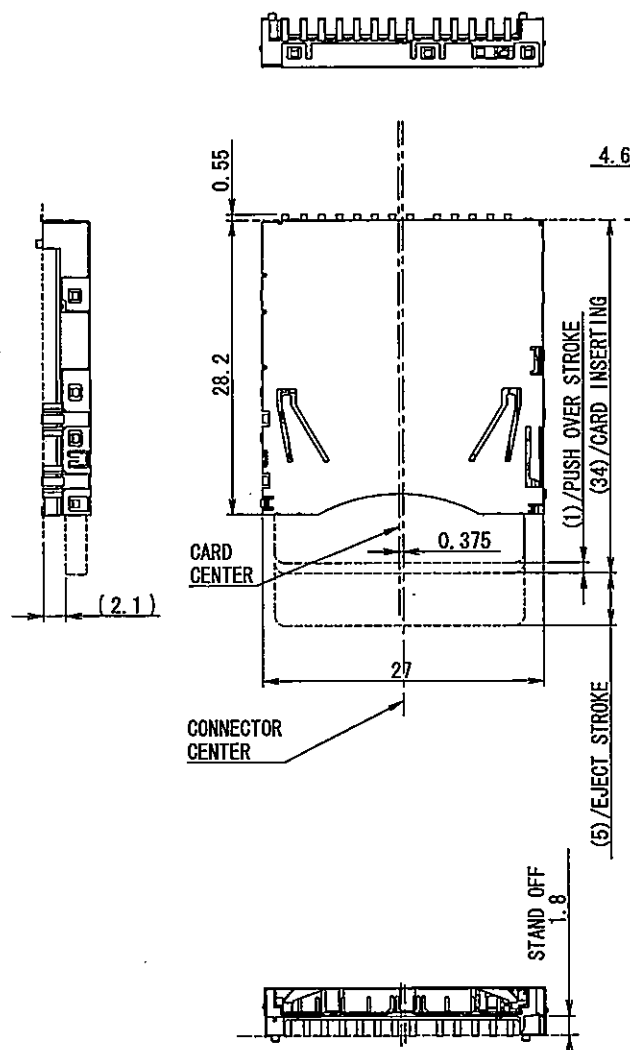
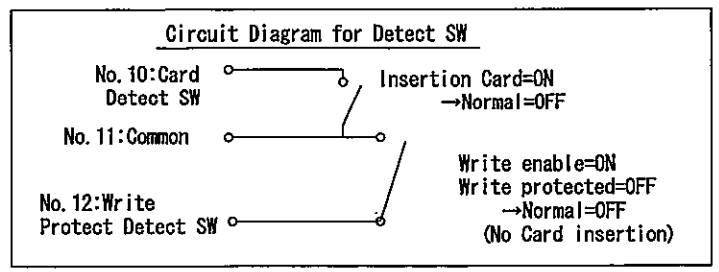


背景
SCDA4A0600

PRELIMINARY



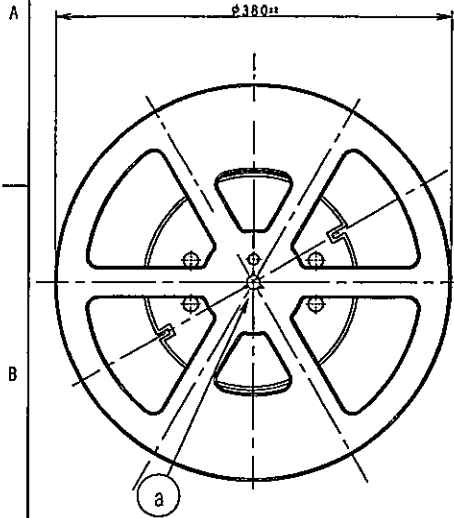
RECOMMENDED P.C BOARD LAYOUT (MOUNTING FACE SIDE)
UNLESS OTHERWISE SPECIFIED
TOLERANCE SHALL BE ±0.05

- No Part Area
- Land
- Mounting Area 1.5mm Max.
- Mounting Area 1.2mm Max.
- Mounting Area 1.0mm Max.

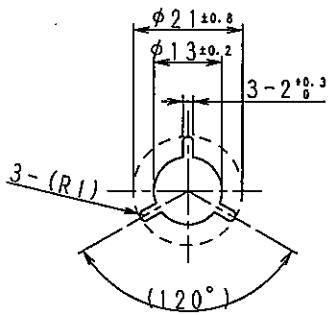
NOTES 1) ALL TERMINALS COPLANARITY:0.1MAX. (INITIAL)

TOLERANCES UNLESS OTHERWISE SPEC		DSGD. Jul. 24, 2007	SOLE	NO.
BASIC DIMENSIONS		M. OHNO		SCDA4A0600 (1/2)
UP TO 10	±0.3	CHKD. Jul. 24, 2007		TITLE
ABOVE 10 TO 100	±0.5	M. Oguchi		PRODUCT DRAWING
ABOVE 100	±0.8	APPD. July 27, 2007		UNIT
ANGULAR DIMENSION	±5'	Y. Kuroda	mm	DOCUMENT NO.
				SCDA4A0600, AE12, 003

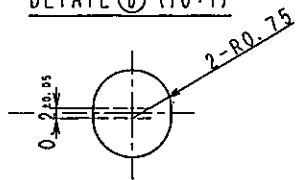
REEL CORE (1:5)



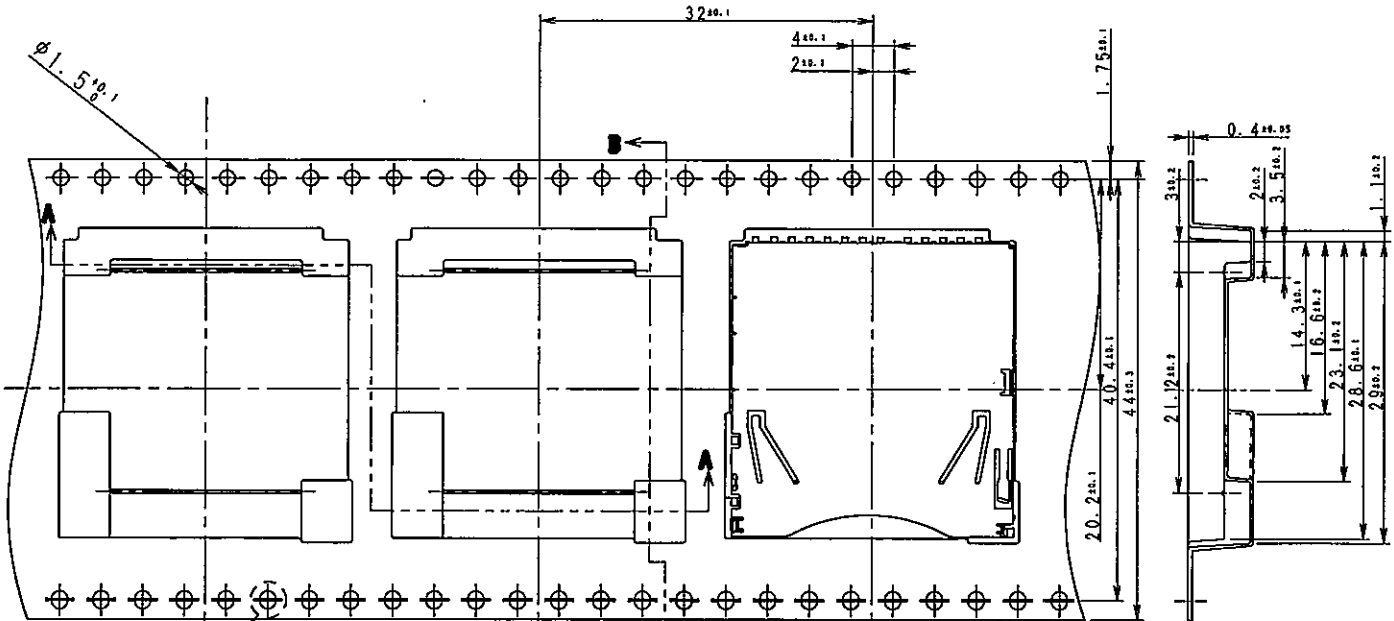
DETAIL (a) (1:1)



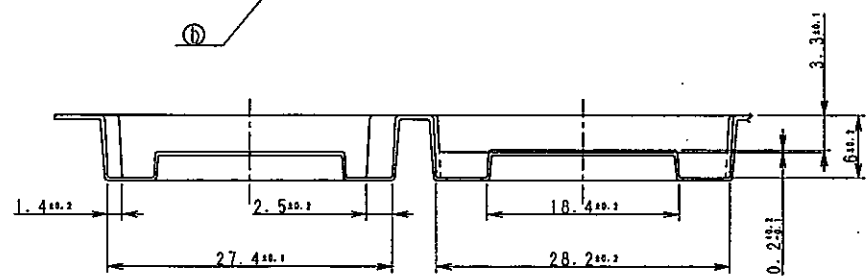
DETAIL (b) (10:1)



NOTE 1. SPECIFICATION OF TAPING: TAPE-S-013



SECTION B-B



SECTION A-A

PRELIMINARY

				ALPS ELECTRIC CO., LTD.																															
		DSGD.	Jul. 24, 2007	SCALE	MODEL No. (製品番号)																														
		M. OHNO		:	SCDA4A0600 (2/2)																														
		CHKD.	Jul 24, 2007		TITLE																														
		W. Ozumaki			PRODUCT DRAWING (製品図)																														
		APPD.	July 27, 2007	UNIT	DOCUMENT NO.																														
		H. Kuroda		mm	SCDA4A0600, AE22.003																														
				<table border="1"> <tr> <th>TOLERANCES UNLESS OTHERWISE SPEC</th> <th>ZONE</th> <th>SYMB</th> <th>DATE</th> <th>APPD</th> <th>CHKD</th> <th>DSGD</th> </tr> <tr> <td>10 UNDER</td> <td>±0.3</td> <td></td> <td></td> <td></td> <td></td> <td></td> </tr> <tr> <td>ABOVE 10 TO 100</td> <td>±0.5</td> <td></td> <td></td> <td></td> <td></td> <td></td> </tr> <tr> <td>ANGULAR DIMENTION</td> <td>±3°</td> <td></td> <td></td> <td></td> <td></td> <td></td> </tr> </table>				TOLERANCES UNLESS OTHERWISE SPEC	ZONE	SYMB	DATE	APPD	CHKD	DSGD	10 UNDER	±0.3						ABOVE 10 TO 100	±0.5						ANGULAR DIMENTION	±3°					
TOLERANCES UNLESS OTHERWISE SPEC	ZONE	SYMB	DATE	APPD	CHKD	DSGD																													
10 UNDER	±0.3																																		
ABOVE 10 TO 100	±0.5																																		
ANGULAR DIMENTION	±3°																																		