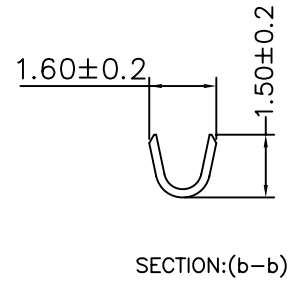
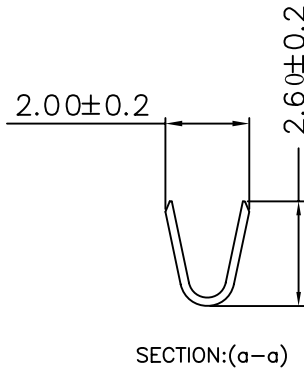
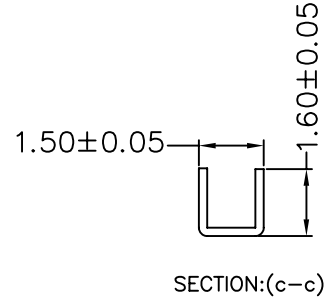
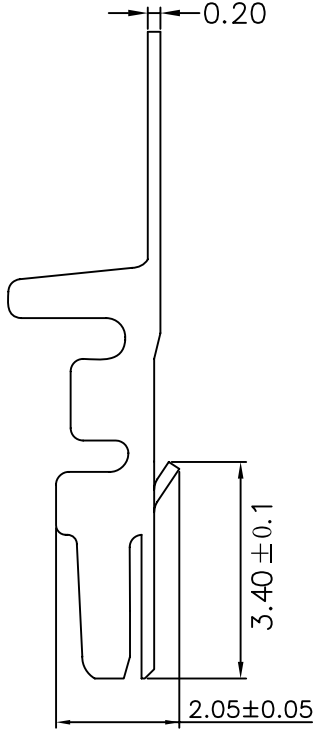
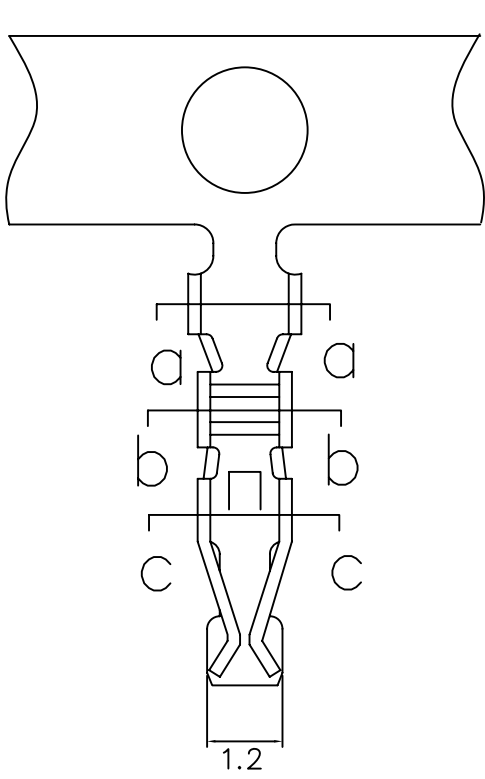




|      |         |             |          |        |
|------|---------|-------------|----------|--------|
| REV. | ECN NO. | DESCRIPTION | DATE     | DESIGN |
| A    |         | 变更料号        | 16/11/22 | 苏亮     |



**CNJM** Joint More Precision electronics Co.,Ltd.

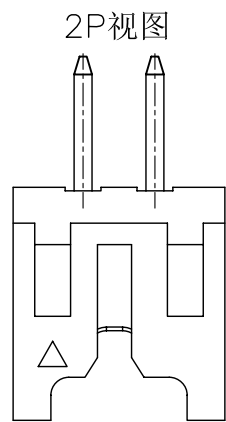
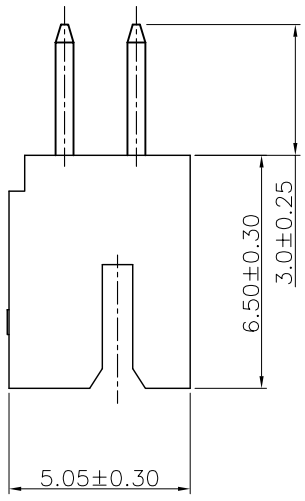
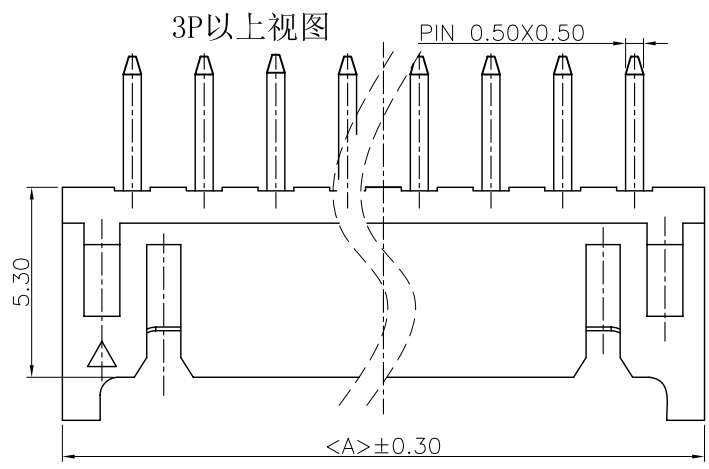
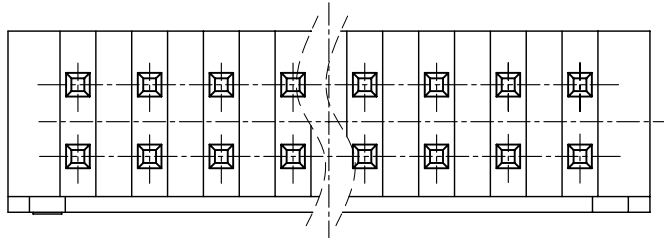
| Part NO.  | Wire range | Insulation O.D. | Materials       | Finish     | Qty/reel |
|-----------|------------|-----------------|-----------------|------------|----------|
| A2006-TP  | AWG#22-28  | 1.5mm(max)      | Phosphor Bronze | Tin-plated | 10000PCS |
| A2006-TPE | AWG#22-28  | 1.5mm(max)      | Phosphor Bronze | Tin-plated | 10000PCS |

| DIM   | TOL         | DIM    | TOL |
|-------|-------------|--------|-----|
| X.    | /           | X°     | /   |
| X.X   | <b>0.25</b> | X.X°   |     |
| X.XX  | <b>0.15</b> | X.XX°  |     |
| X.XXX | <b>0.10</b> | X.XXX° | /   |

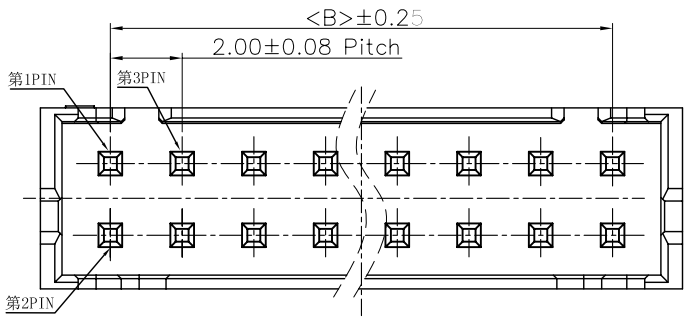
|          |     |            |           |                      |
|----------|-----|------------|-----------|----------------------|
| DRAW NO. |     | DATE       | P/N NO:   | DRAW NAME:           |
| DESIGN:  | 陈雪峰 | 2017.06.03 | A2006-XXX | 2.0mm pitch Terminal |
| CHECK:   | 杨焯  |            |           |                      |
| REVIEW:  |     |            | REV. A/1  | SCALE 1:1            |
|          |     |            | UNIT: mm  | SHEET: 1 OF 1        |

| REV. | ECN NO. | DESCRIPTION | DATE     | DESIGN |
|------|---------|-------------|----------|--------|
| A    |         | 变更料号        | 17/06/08 | 苏亮     |

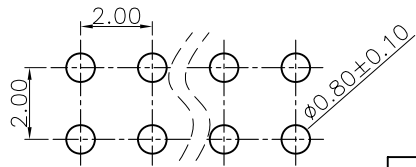
Specifications:  
 Current rating:3A AC/DC.  
 Voltage rating:250V AC/DC  
 Temperature range:-40°C~+105°C.  
 Contact resistance:10MΩ Max.  
 Insulation resistance:1000MΩ Min.  
 Withstanding voltage: 800V AC/minute.  
 Material:PA66+GF15.UL94V-0.



| PART NO.      | Dimensions |       |
|---------------|------------|-------|
|               | A          | B     |
| A2006WV-2X02P | 6.00       | 2.00  |
| A2006WV-2X03P | 8.00       | 4.00  |
| A2006WV-2X04P | 10.00      | 6.00  |
| A2006WV-2X05P | 12.00      | 8.00  |
| A2006WV-2X06P | 14.00      | 10.00 |
| A2006WV-2X07P | 16.00      | 12.00 |
| A2006WV-2X08P | 18.00      | 14.00 |
| A2006WV-2X09P | 20.00      | 16.00 |
| A2006WV-2X10P | 22.00      | 18.00 |
| A2006WV-2X11P | 24.00      | 20.00 |
| A2006WV-2X12P | 26.00      | 22.00 |
| A2006WV-2X13P | 28.00      | 24.00 |
| A2006WV-2X14P | 30.00      | 26.00 |
| A2006WV-2X15P | 32.00      | 28.00 |
| A2006WV-2X16P | 34.00      | 30.00 |
| A2006WV-2X17P | 36.00      | 32.00 |
| A2006WV-2X18P | 38.00      | 34.00 |
| A2006WV-2X19P | 40.00      | 36.00 |
| A2006WV-2X20P | 42.00      | 38.00 |



Recommended P.C.B Layout(Top Side)  
 P.C.B Thickness = 1.00~1.60mm  
 (Tolerance=±0.05)



PCB Layout

| DIM   | TOL  | DIM    | TOL |
|-------|------|--------|-----|
| X.    | /    | X'     | /   |
| X.X   | 0.25 | X.X'   | /   |
| X.XX  | 0.15 | X.XX'  | /   |
| X.XXX | 0.10 | X.XXX' | /   |

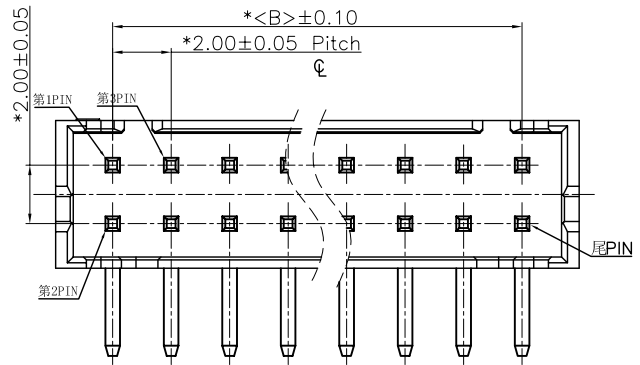
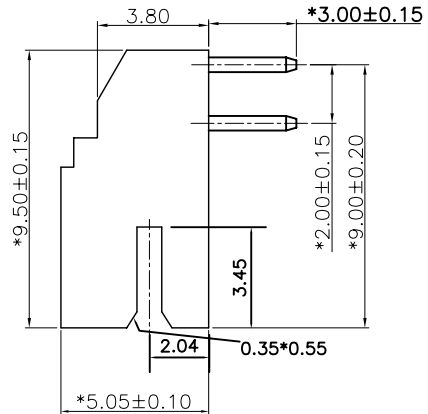
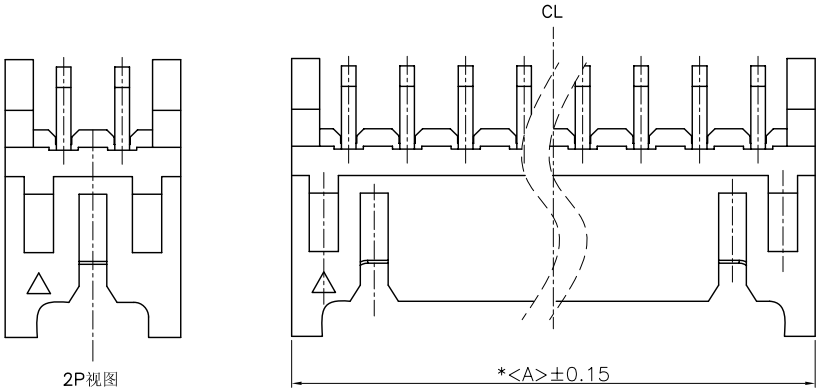
**CNJM** Joint More Precision electronics Co.,Ltd.

| DRAW NO.    | DATE       | P/N NO:      | DRAW NAME:             |
|-------------|------------|--------------|------------------------|
| DESIGN: 陈雪峰 | 2017.06.03 | A2006WV-2XNP | 2.0mm pitch 180° wafer |
| CHECK: 杨焯   |            |              |                        |
| REVIEW:     |            | REV. A/1     | SCALE 1:1              |

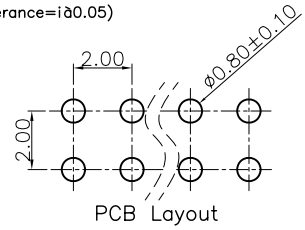
UNIT: mm SHEET: 1 OF 1

| REV. | ECN NO. | DESCRIPTION | DATE     | DESIGN |
|------|---------|-------------|----------|--------|
| A    |         | 变更料号        | 17/06/08 | 苏亮     |

Specifications:  
 Current rating:3A AC/DC.  
 Voltage rating:250V AC/DC  
 Temperature range:-40°C~+105°C.  
 Contact resistance:10MΩ Max.  
 Insulation resistance:1000MΩ Min.  
 Withstanding voltage: 800V AC/minute.  
 Material:PA66+GF15.UL94V-0.



Recommended P.C.B Layout(Top Side)  
 P.C.B Thickness = 1.00~1.60mm  
 (Tolerance=i±0.05)



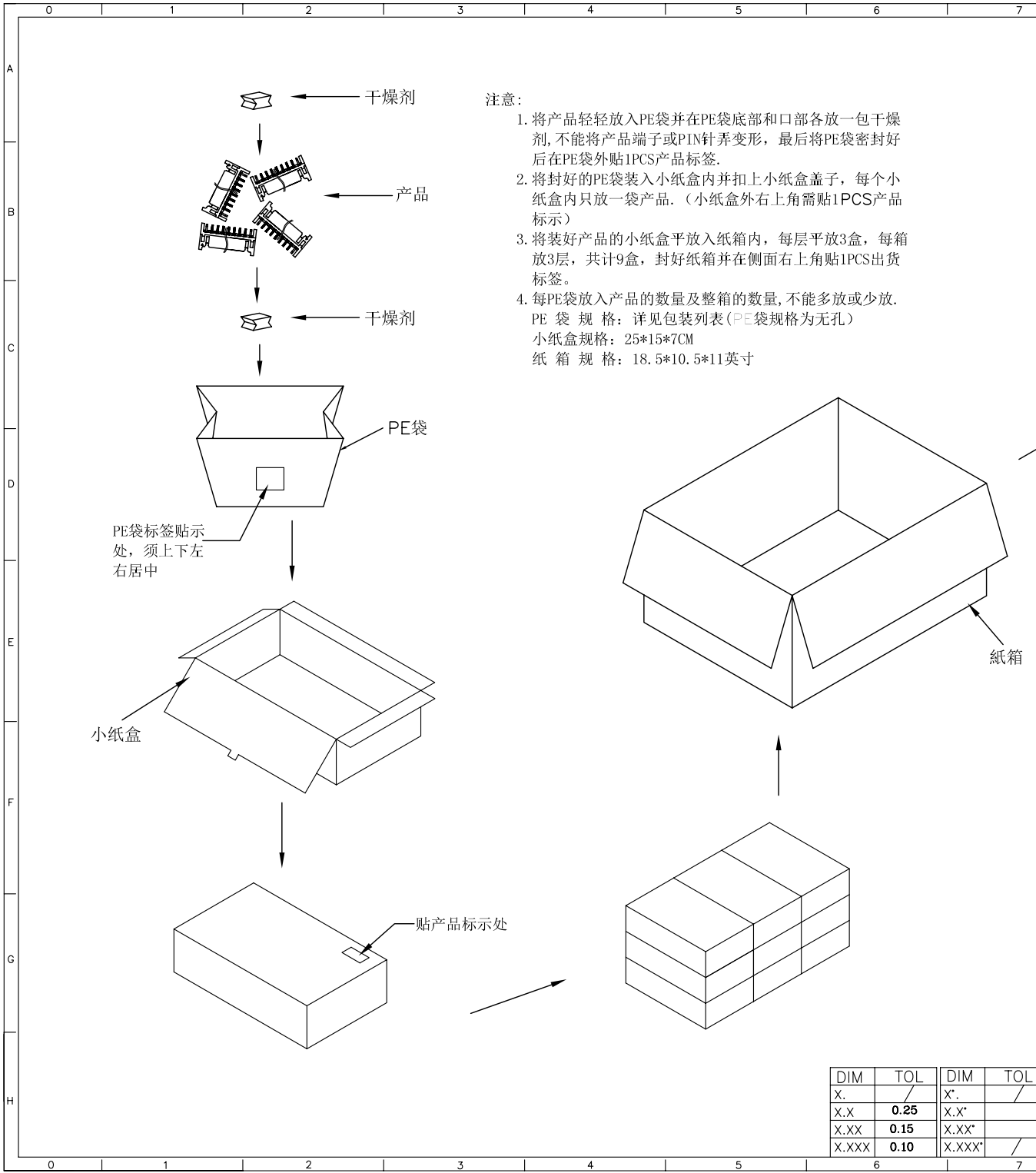
| PART NO.      | Dimensions |       |
|---------------|------------|-------|
|               | A          | B     |
| A2006WR-2X02P | 6.00       | 2.00  |
| A2006WR-2X03P | 8.00       | 4.00  |
| A2006WR-2X04P | 10.00      | 6.00  |
| A2006WR-2X05P | 12.00      | 8.00  |
| A2006WR-2X06P | 14.00      | 10.00 |
| A2006WR-2X07P | 16.00      | 12.00 |
| A2006WR-2X08P | 18.00      | 14.00 |
| A2006WR-2X09P | 20.00      | 16.00 |
| A2006WR-2X10P | 22.00      | 18.00 |
| A2006WR-2X11P | 24.00      | 20.00 |
| A2006WR-2X12P | 26.00      | 22.00 |
| A2006WR-2X13P | 28.00      | 24.00 |
| A2006WR-2X14P | 30.00      | 26.00 |
| A2006WR-2X15P | 32.00      | 28.00 |
| A2006WR-2X16P | 34.00      | 30.00 |
| A2006WR-2X17P | 36.00      | 32.00 |
| A2006WR-2X18P | 38.00      | 34.00 |
| A2006WR-2X19P | 40.00      | 36.00 |
| A2006WR-2X20P | 42.00      | 38.00 |

**CNJM** Joint More Precision electronics Co.,Ltd.

|             |            |              |                       |
|-------------|------------|--------------|-----------------------|
| DRAW NO.    | DATE       | P/N NO:      | DRAW NAME:            |
| DESIGN: 陈雪峰 | 2017.06.03 | A2006WR-2XNP | 2.0mm pitch 90° wafer |
| CHECK: 杨焯   |            |              |                       |
| REVIEW:     |            | REV. A/1     | SCALE 1:1             |
|             |            | UNIT: mm     | SHEET: 1 OF 1         |

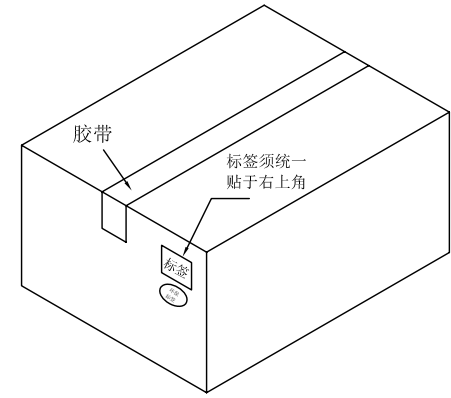
| DIM   | TOL  | DIM    | TOL |
|-------|------|--------|-----|
| X.    | /    | X'     | /   |
| X.X   | 0.25 | X.X'   | /   |
| X.XX  | 0.15 | X.XX'  | /   |
| X.XXX | 0.10 | X.XXX' | /   |

|      |         |             |      |        |
|------|---------|-------------|------|--------|
| REV. | ECN NO. | DESCRIPTION | DATE | DESIGN |
| A    |         |             |      |        |



注意:

1. 将产品轻轻放入PE袋并在PE袋底部和口部各放一包干燥剂, 不能将产品端子或PIN针弄变形, 最后将PE袋密封好后在PE袋外贴1PCS产品标签。
2. 将封好的PE袋装入小纸盒内并扣上小纸盒盖子, 每个小纸盒内只放一袋产品。(小纸盒外右上角需贴1PCS产品标示)
3. 将装好产品的小纸盒平放入纸箱内, 每层平放3盒, 每箱放3层, 共计9盒, 封好纸箱并在侧面右上角贴1PCS出货标签。
4. 每PE袋放入产品的数量及整箱的数量, 不能多放或少放。  
PE袋规格: 详见包装列表(PE袋规格为无孔)  
小纸盒规格: 25\*15\*7CM  
纸箱规格: 18.5\*10.5\*11英寸



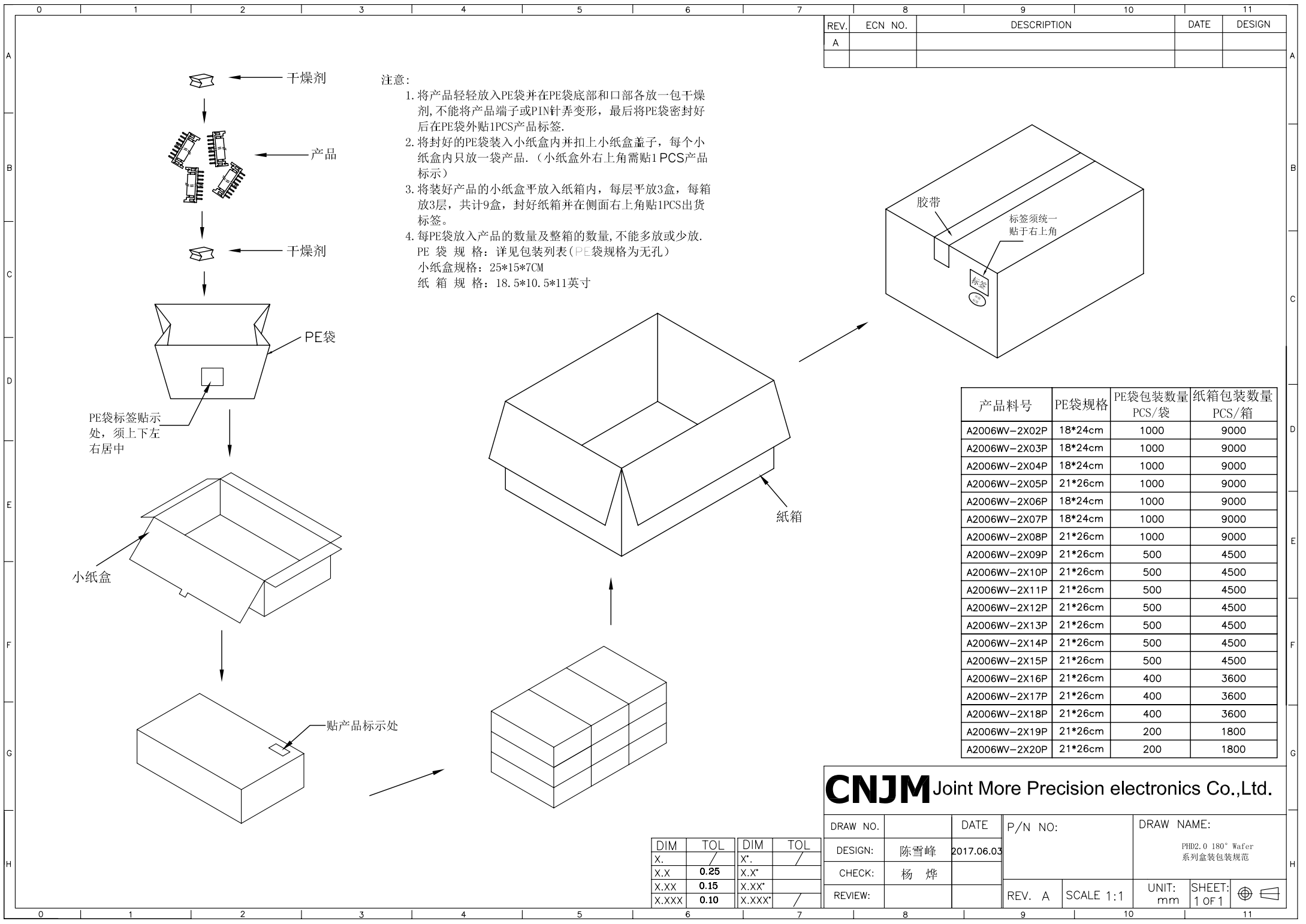
| 产品料号          | PE袋规格   | PE袋包装数量<br>PCS/袋 | 纸箱包装数量<br>PCS/箱 |
|---------------|---------|------------------|-----------------|
| A2006WR-2X02P | 18*24cm | 1000             | 9000            |
| A2006WR-2X03P | 18*24cm | 1000             | 9000            |
| A2006WR-2X04P | 18*24cm | 1000             | 9000            |
| A2006WR-2X05P | 21*26cm | 1000             | 4500            |
| A2006WR-2X06P | 18*24cm | 500              | 4500            |
| A2006WR-2X07P | 18*24cm | 500              | 4500            |
| A2006WR-2X08P | 21*26cm | 500              | 4500            |
| A2006WR-2X09P | 21*26cm | 500              | 4500            |
| A2006WR-2X10P | 21*26cm | 500              | 4500            |
| A2006WR-2X11P | 21*26cm | 500              | 4500            |
| A2006WR-2X12P | 21*26cm | 400              | 3600            |
| A2006WR-2X13P | 21*26cm | 400              | 3600            |
| A2006WR-2X14P | 21*26cm | 300              | 2700            |
| A2006WR-2X15P | 21*26cm | 300              | 2700            |
| A2006WR-2X16P | 21*26cm | 200              | 1800            |
| A2006WR-2X17P | 21*26cm | 200              | 1800            |
| A2006WR-2X18P | 21*26cm | 200              | 1350            |
| A2006WR-2X19P | 21*26cm | 150              | 1350            |
| A2006WR-2X20P | 21*26cm | 150              | 1350            |

**CNJM** Joint More Precision electronics Co.,Ltd.

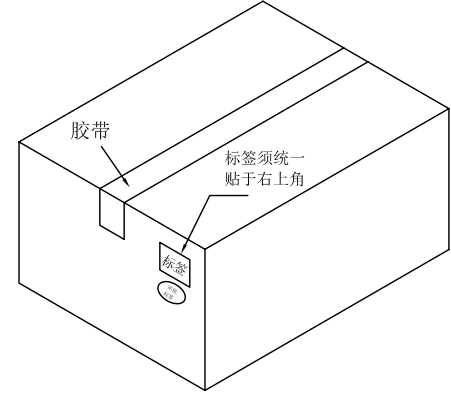
|             |          |          |                              |
|-------------|----------|----------|------------------------------|
| DRAW NO.    | DATE     | P/N NO:  | DRAW NAME:                   |
| DESIGN: 陈雪峰 | 2017.2.9 |          | PHD2.0 90° Wafer<br>系列盒装包装规范 |
| CHECK: 杨焯   |          |          |                              |
| REVIEW:     |          | REV. A/1 | SCALE 1:1                    |
|             |          | UNIT: mm | SHEET: 1 of 1                |

|       |      |        |     |
|-------|------|--------|-----|
| DIM   | TOL  | DIM    | TOL |
| X.    | /    | X'     | /   |
| X.X   | 0.25 | X.X'   | /   |
| X.XX  | 0.15 | X.XX'  | /   |
| X.XXX | 0.10 | X.XXX' | /   |

|      |         |             |      |        |
|------|---------|-------------|------|--------|
| REV. | ECN NO. | DESCRIPTION | DATE | DESIGN |
| A    |         |             |      |        |



- 注意:
1. 将产品轻轻放入PE袋并在PE袋底部和口部各放一包干燥剂, 不能将产品端子或PIN针弄变形, 最后将PE袋密封好后在PE袋外贴1PCS产品标签.
  2. 将封好的PE袋装入小纸盒内并扣上小纸盒盖子, 每个小纸盒内只放一袋产品. (小纸盒外右上角需贴1PCS产品标示)
  3. 将装好产品的小纸盒平放入纸箱内, 每层平放3盒, 每箱放3层, 共计9盒, 封好纸箱并在侧面右上角贴1PCS出货标签.
  4. 每PE袋放入产品的数量及整箱的数量, 不能多放或少放.  
PE袋规格: 详见包装列表(PE袋规格为无孔)  
小纸盒规格: 25\*15\*7CM  
纸箱规格: 18.5\*10.5\*11英寸



| 产品料号          | PE袋规格   | PE袋包装数量<br>PCS/袋 | 纸箱包装数量<br>PCS/箱 |
|---------------|---------|------------------|-----------------|
| A2006WV-2X02P | 18*24cm | 1000             | 9000            |
| A2006WV-2X03P | 18*24cm | 1000             | 9000            |
| A2006WV-2X04P | 18*24cm | 1000             | 9000            |
| A2006WV-2X05P | 21*26cm | 1000             | 9000            |
| A2006WV-2X06P | 18*24cm | 1000             | 9000            |
| A2006WV-2X07P | 18*24cm | 1000             | 9000            |
| A2006WV-2X08P | 21*26cm | 1000             | 9000            |
| A2006WV-2X09P | 21*26cm | 500              | 4500            |
| A2006WV-2X10P | 21*26cm | 500              | 4500            |
| A2006WV-2X11P | 21*26cm | 500              | 4500            |
| A2006WV-2X12P | 21*26cm | 500              | 4500            |
| A2006WV-2X13P | 21*26cm | 500              | 4500            |
| A2006WV-2X14P | 21*26cm | 500              | 4500            |
| A2006WV-2X15P | 21*26cm | 500              | 4500            |
| A2006WV-2X16P | 21*26cm | 400              | 3600            |
| A2006WV-2X17P | 21*26cm | 400              | 3600            |
| A2006WV-2X18P | 21*26cm | 400              | 3600            |
| A2006WV-2X19P | 21*26cm | 200              | 1800            |
| A2006WV-2X20P | 21*26cm | 200              | 1800            |

**CNJM** Joint More Precision electronics Co.,Ltd.

|             |            |          |                               |
|-------------|------------|----------|-------------------------------|
| DRAW NO.    | DATE       | P/N NO:  | DRAW NAME:                    |
| DESIGN: 陈雪峰 | 2017.06.03 |          | PHD2.0 180° Wafer<br>系列盒装包装规范 |
| CHECK: 杨焯   |            | REV. A   | SCALE 1:1                     |
| REVIEW:     |            | UNIT: mm | SHEET: 1 of 1                 |

| DIM   | TOL  | DIM    | TOL |
|-------|------|--------|-----|
| X.    | /    | X'     | /   |
| X.X   | 0.25 | X.X'   | /   |
| X.XX  | 0.15 | X.XX'  | /   |
| X.XXX | 0.10 | X.XXX' | /   |