

## CBB21 型金属化聚丙烯膜电容器

### Metallized Polypropylene Film Capacitor Type CBB21

#### ■ 特点 Features

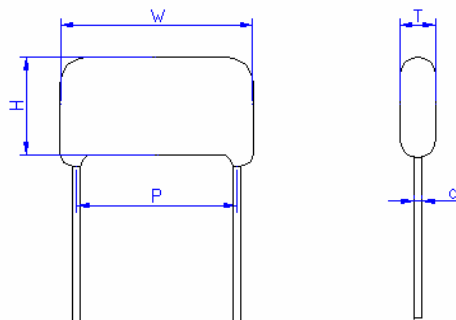
- 高频损耗小 Low loss at high frequency
- 内部温升小 Very low inherent temperature rise
- 阻燃环氧树脂包封 Flame-retardant epoxy resin coating

#### ■ 用途 Applications

- 广泛用于振荡电路 Widely used in oscillation circuit
- 小型电子镇流器用 Used inside small-size electronic ballast

#### ■ 技术规范 Technical specifications:

- 引用标准 Reference Standard IEC 384-16
- 额定值和特性 Ratings and Characteristics
- 气候类别 Climate category: 40/085/21
  
- 额定电压 Rated voltage: 200~630V
  
- 电容量范围 Capacitance range: 0.01~2.2 $\mu$ F
- 电容量偏差 Cap. tolerance:  $\pm 5\%$  (J)、 $\pm 10\%$  (K)
- 损耗角正切 Dissipation factor:  $C_r < 0.47 \mu F$ ,  $\text{tg } \delta \leq 15 \times 10^{-4}$ ;  $C_r \geq 0.47 \mu F$ ,  $\text{tg } \delta \geq 20 \times 10^{-4}$  (20 $^{\circ}$ C,10kHz)
- 耐电压 voltage proof:  $1.6U_r(5s)$
- 绝缘电阻 I.R.:  $C_r \leq 0.33 \mu F, R \geq 80000 M\Omega$ ;  $C_r > 0.33 \mu F, R C \geq 20000 s(20^{\circ}C, 1min)$
  
- 结构 Construction
- 金属化聚丙烯薄膜, 环氧树脂包封  
Metallized polypropylene film, flame-retardant epoxy resin coating



■ 外形尺寸 Dimensions (mm)

电容量 ( $\mu\text{F}$ )	250V					400V				
	Wmax	Hmax	Tmax	p $\pm$ 1	d	Wmax	Hmax	Tmax	p $\pm$ 1	d
0.1	13	9.5	5	10	0.6	13	9.5	5	10	0.6
0.12	13	9.5	5	10	0.6	13	9.5	6	10	0.6
0.15	13	9.5	5	10	0.6	13	10.5	6.5	10	0.6
0.18	13	9.5	5	10	0.6	13	11	7	10	0.6
0.2	13	10	5.5	10	0.6	13	11.5	7.5	10	0.6
0.22	13	10	6	10	0.6	13	12	8	10	0.6
0.27	13	11	6.5	10	0.6	18	11	7	15	0.8
0.3	13	11	7	10	0.6	18	11	7	15	0.8
0.33	13	11.5	7	10	0.6	18	11.5	7.5	15	0.8
0.36	13	12	7.5	10	0.6	18	12	8	15	0.8
0.39	18	10	6	15	0.8	18	12	8	15	0.8
0.43	18	10.5	6.5	15	0.8	18	12.5	8.5	15	0.8
0.47	18	11	6.5	15	0.8	18	13.5	8.5	15	0.8
0.51	18	11.5	6.5	15	0.8	18	14	9	15	0.8
0.56	18	12	7	15	0.8	18	14.5	9.5	15	0.8
0.62	18	12	7	15	0.8	18	15	9.5	15	0.8
0.68	18	12.5	7.5	15	0.8	18	15	10	15	0.8
0.75	18	13	8	15	0.8	18	15.5	11	15	0.8
0.82	18	13	8.5	15	0.8	18	16	11	15	0.8
0.91	18	13.5	8.5	15	0.8	23	15.5	9	20	0.8
1.0	18	14	9	15	0.8	23	16	9.5	20	0.8
1.2	18	14.5	9.5	15	0.8	23	17	10.5	20	0.8
1.5	18	15.5	11	15	0.8	23	18.5	12	20	0.8
1.8	23	16	9.5	20	0.8					
2.2	23	16.5	10.5	20	0.8					

注：表中以外的规格和尺寸，可以商谈。

Note: Other specifications and dimensions out of the table are negotiable.