



三禮電子集團控股有限公司

3L ELECTRONIC GROUP HOLDINGS LIMITED

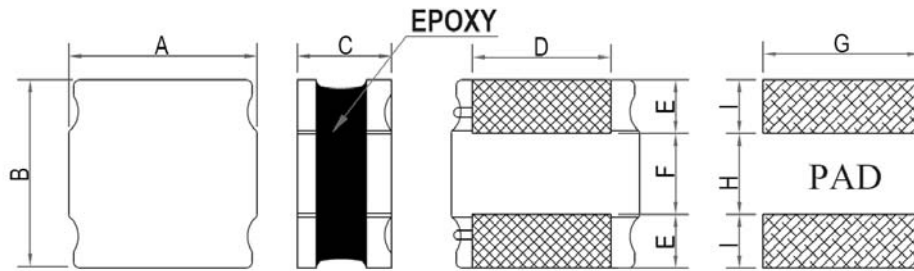
SPECIFICATION FOR APPROVAL 樣品承認書

ROHS
危害物质限用

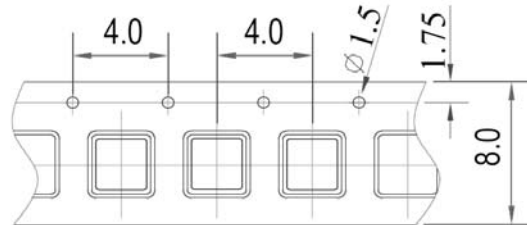
CUSTOMER(客戶): MT141 曼特電子科技(深圳)有限公司 PAGE: OF

3L P/N : SNR3015K-2R2M YOUR REF.:

1.MECHANICAL DIMENSIONS (外形尺寸): DRAW NO.: SNR3015K



SCHEMATIC



EACH TAPE : 2000 PCS

Item項目	Spec.(規格mm)	Typ.(參考值)	Item項目	Spec.(規格mm)	Typ.(參考值)
A	3.0+0.2		F	1.5	
B	3.0+0.2		G	2.7	
C	1.5 MAX		H	1.5	
D	2.7		I	0.8	
E	0.75		J		

2. NOTES (備注, 包括印字及起始同相端等特別要求):

2.1 Marking (印字): ""

CUSTOMER APPROVED (客戶確認)	APPROVED(確認)	CHECKED(檢查)	DRAWN(制圖)

ISSUED DATE(出版日期): 2016/11/02 PRINT DATE(出圖日期): 2019/01/09 REV(版次):XA

Issued by(出圖): 和瑞電子(中山)有限公司



三禮電子集團控股有限公司

3L ELECTRONIC GROUP HOLDINGS LIMITED

SPECIFICATION FOR APPROVAL 樣品承認書



CUSTOMER(客戶): 曼特電子科技(深圳)有限公司 PAGE: OF

3L P/N : SNR3015K-2R2M YOUR REF.:

3. ELECTRICAL CHARACTERISTICS (電特性要求):

Item (項目)	Specifications (規格)	Typ.(參考值)	Test equipments (測試設備):
L	2.2uH+-20%		HP4284A PRECISION LCR METER
L Load	+1.6A: L DROP 30% MAX		HP4284A WITH HP42841A CURRENT SOURCE
Test.Freq.	@100KHz 1V		HP4284A PRECISION LCR METER
DCR	60mΩ +-30%		CHENHWA 502 OHM METER
Isat	1.6 A MAX		HP4284A WITH HP42841A CURRENT SOURCE
Irms	1.6A MAX		HP4284A WITH HP42841A CURRENT SOURCE
Ope.Temp.	-40 to 125°C		HC-D3M TEMP. & HUMIDITY CHAMBER

ELECTRICAL NOTES (電特性備注欄):

APPROVED(確認)	CHECKED(檢查)	DRAWN(制圖)

ISSUED DATE(出版日期): 2016/11/02 PRINT DATE(出圖日期): 2019/01/09 REV(版次):XA



三禮電子集團控股有限公司

3L ELECTRONIC GROUP HOLDINGS LIMITED

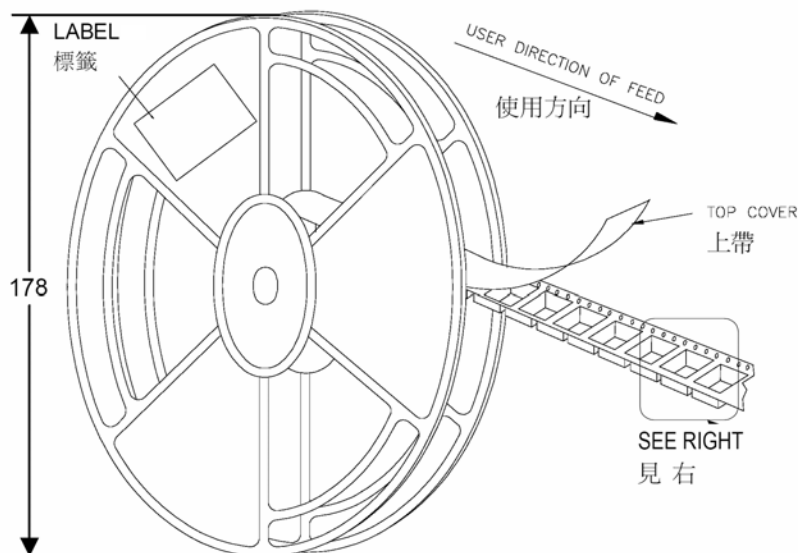
SPECIFICATION FOR APPROVAL 樣品承認書



CUSTOMER(客戶): 曼特電子科技(深圳)有限公司 PAGE: OF

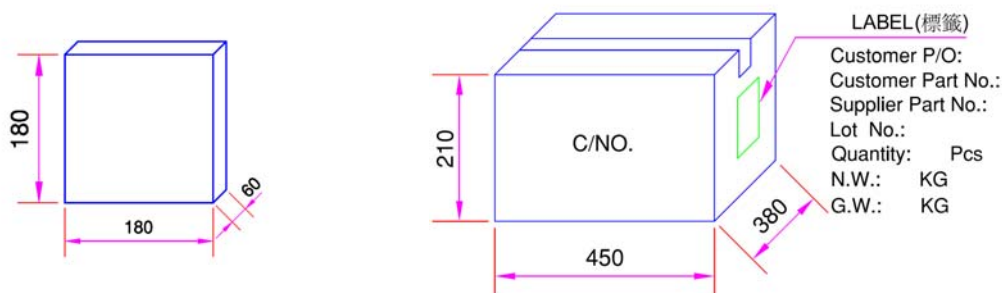
3L P/N : SNR3015K-2R2M YOUR REF.:

6.1 INSIDE PACKAGING (內包裝要求) DRAW NO.: 5-REEL-178MM/



Each reel(每捲): 2,000 pcs;

6.2 OUTSIDE PACKAGING (外包裝要求) DRAW NO.: 5-CT-181806.gif/5-CT-453821.gif



Small carton(內箱): 20,000 pcs; Outer carton(外箱): 80,000 pcs; N.W.(淨重): KG; G.W.(總重): KG

APPROVED(確認)	CHECKED(檢查)	DRAWN(制圖)

ISSUED DATE(出版日期): 2016/11/02 PRINT DATE(出圖日期): 2019/01/09 REV(版次):XA