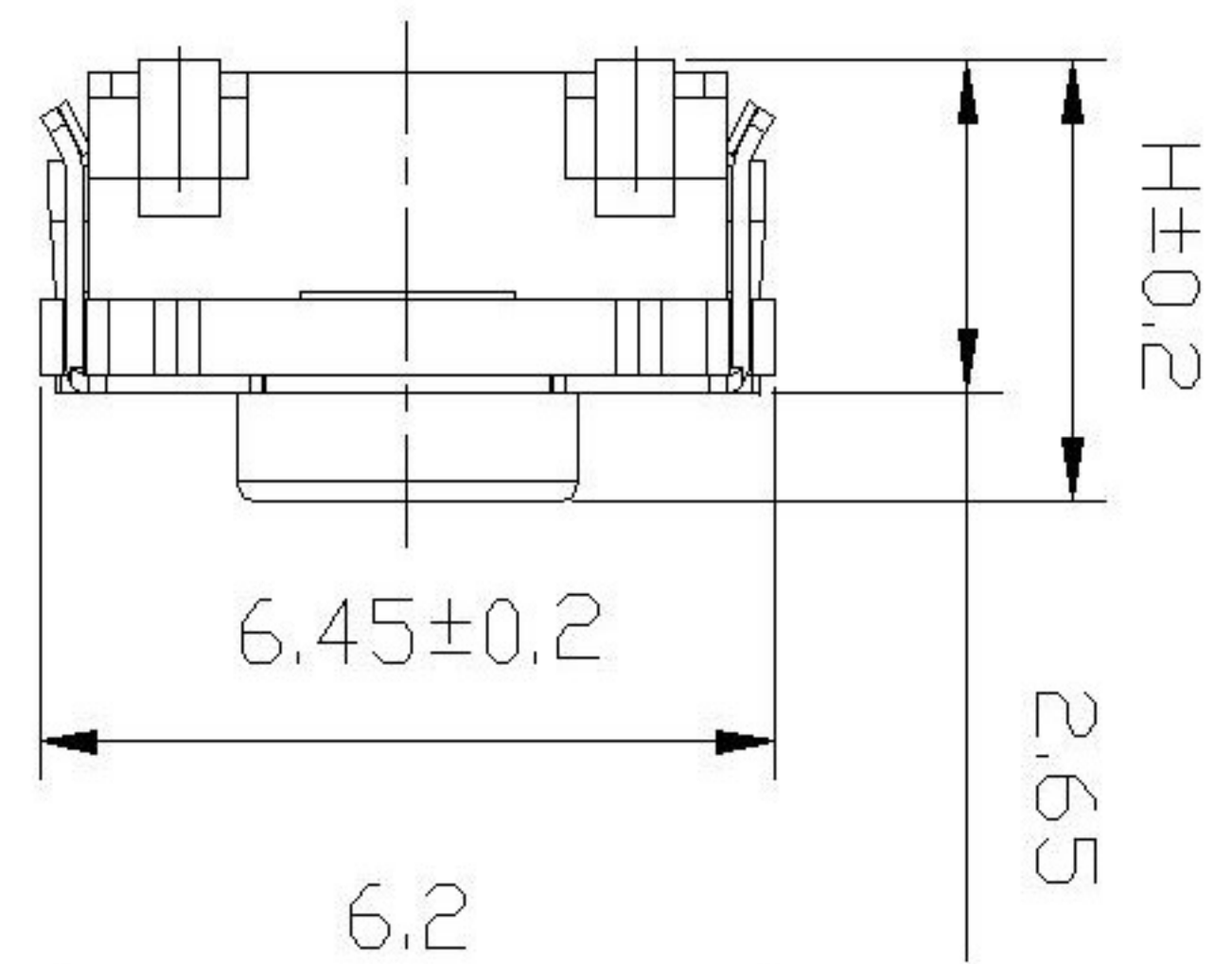
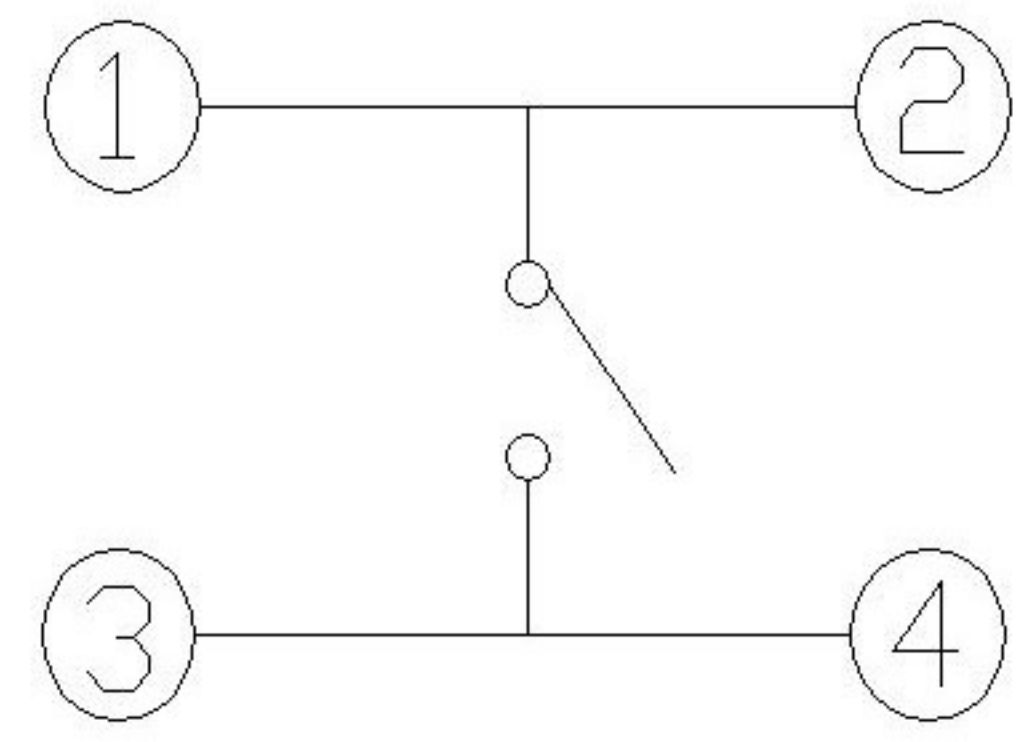


IP67

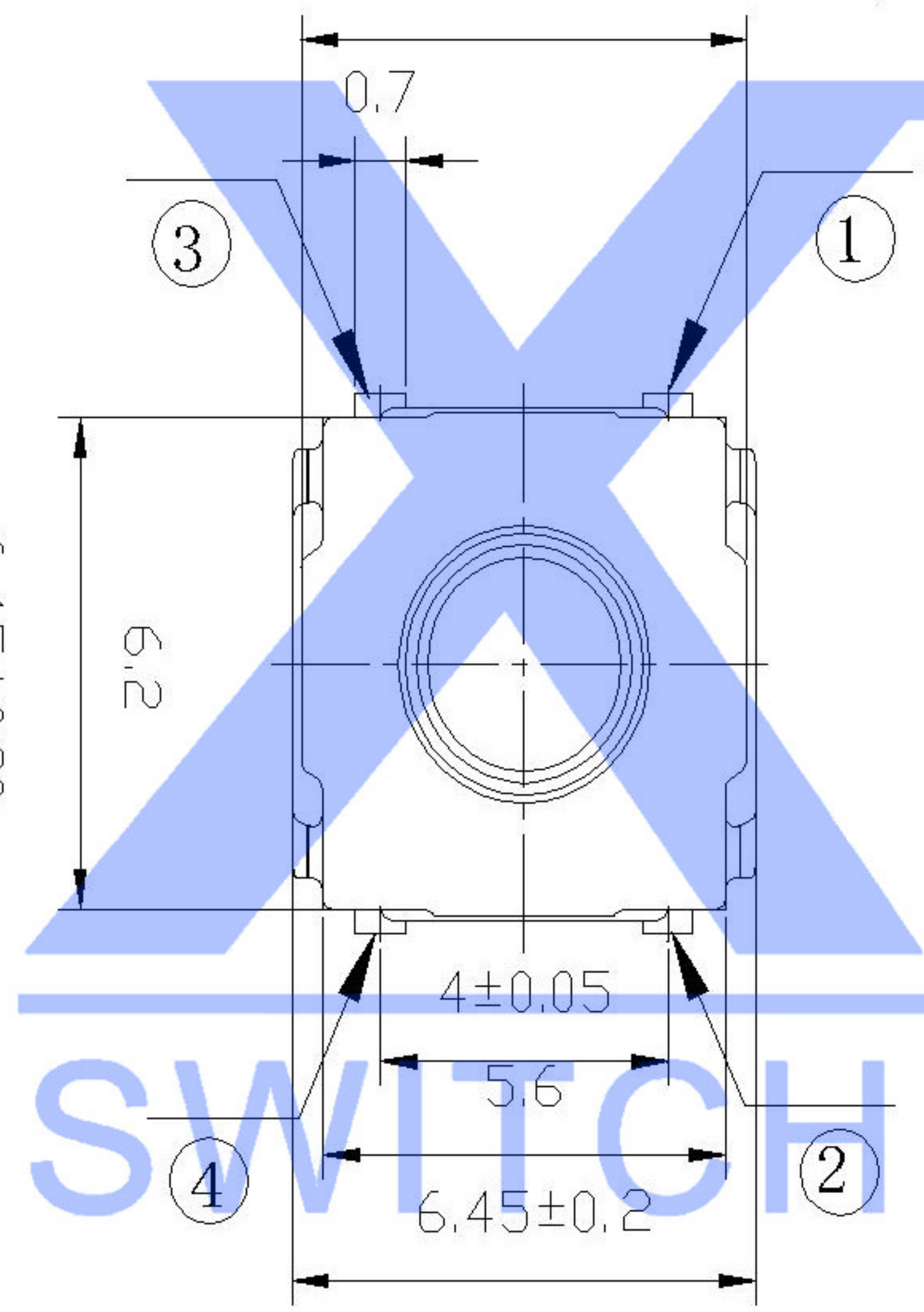
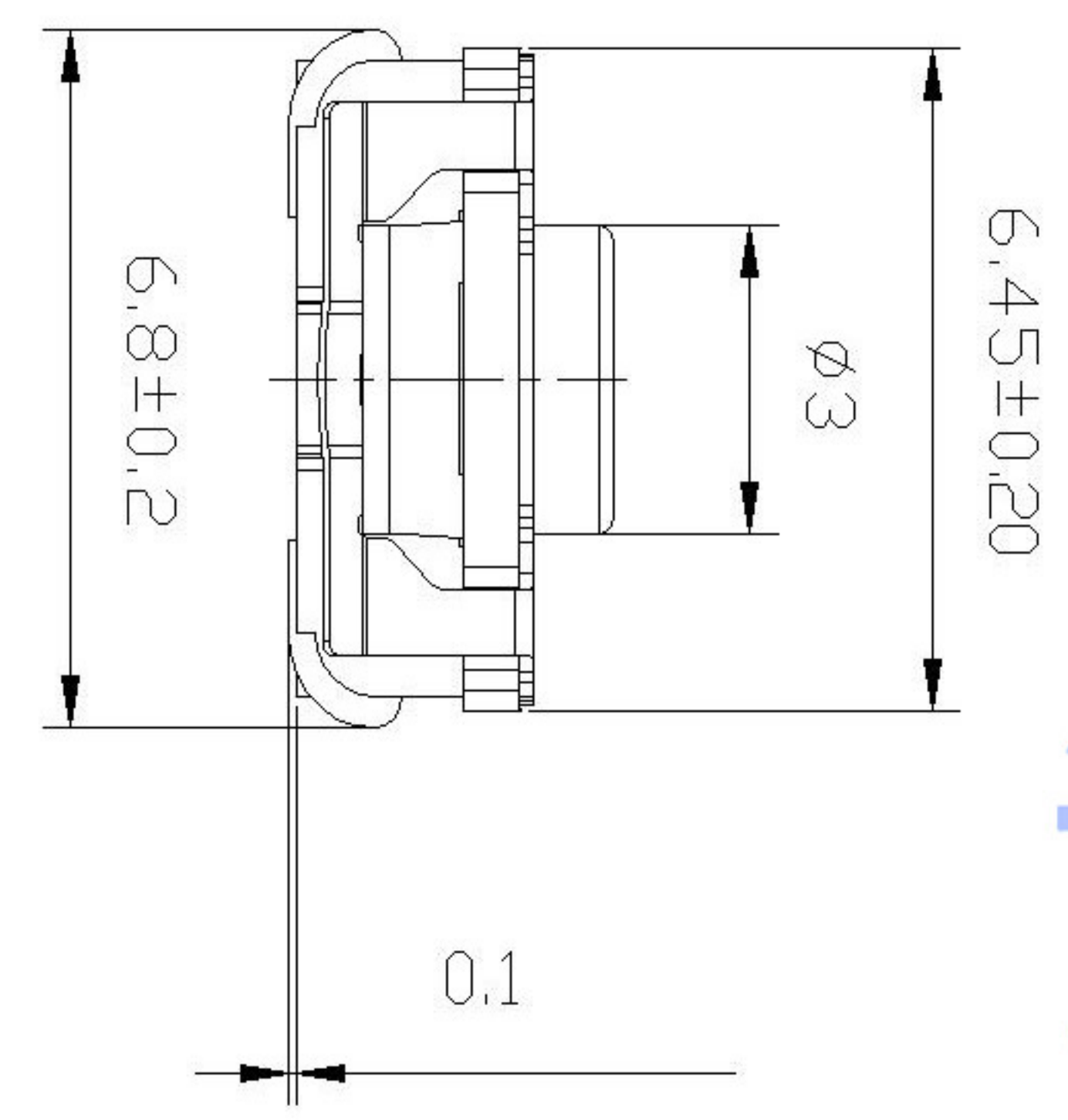


CIRCUIT DIAGRAM

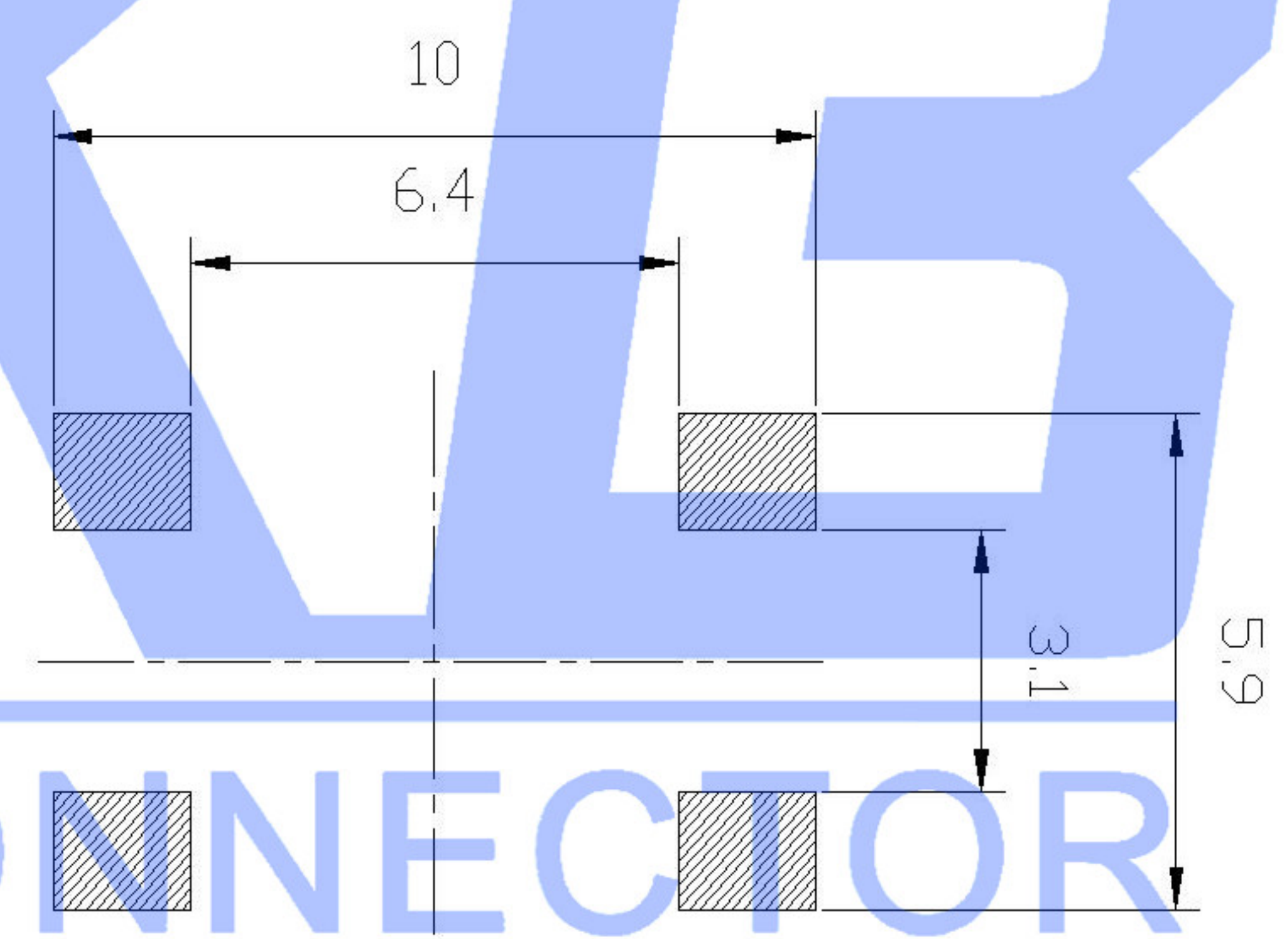


NOTE

- 1. RATING : DC 12V 50mA
- 2. CONTACT RESISTANCE : 100mΩ MAX
- 3. GENERAL TOLERANCE : ± 0.2
- 4. MANUFACTURING SPECIFICATION WOULD BE ACCORDANCE WITH WT0158



P.C.B LAND DIMENSION



PAPT NO	TS-1159UB-X-X-X
Operating Force	A: 100gf B: 160gf C: 260gf D: 320gf E: 400gf
Height	H: A: 3.5 B: 4.3 C: 4.9 D: 5.2
color	BL: blue W: white

⑤	Terminal	—	4	Brass (0.30t)	ag Plated	—
④	Contact	—	1	F.ag/SUS		—
③	Base	—	1	PA46		—
②	Cover	—	1	SPCC	Tin plated	—
①	Keystake	—	1	Silica gel		—
ITEM	PAPT NAME	TER.NO	QTY	MATERIAL	FINISHING	REMARK

△X						units: mm
△X						tolerance: X.X ±0.2mm
△X						X.XX ±0.1mm
MARK	DESCRIPTION	DATE	REVISED	APPROVED		X.XXX ±0.05mm
REVISIONS						UNSPECIFIED TOLERANCES
www.xk-dg.cn www.helloxkb.com www.helloxkb.cn						

DSND		DATE		SCALE: N/A	MODEL TYPE: TACT SWITCH	
DWN		DATE		VIEW:	PART NO.:	
CHKD		DATE		UNIT: mm	DWG NO.:	
APPD		DATE		SIZE: A4	TS-1159UB-X-X-X	
KKB INDUSTRIAL PRECISION CO.,LIMITED				WEIGHT	SHEET	REVISION
				1.0g	1/1	A0