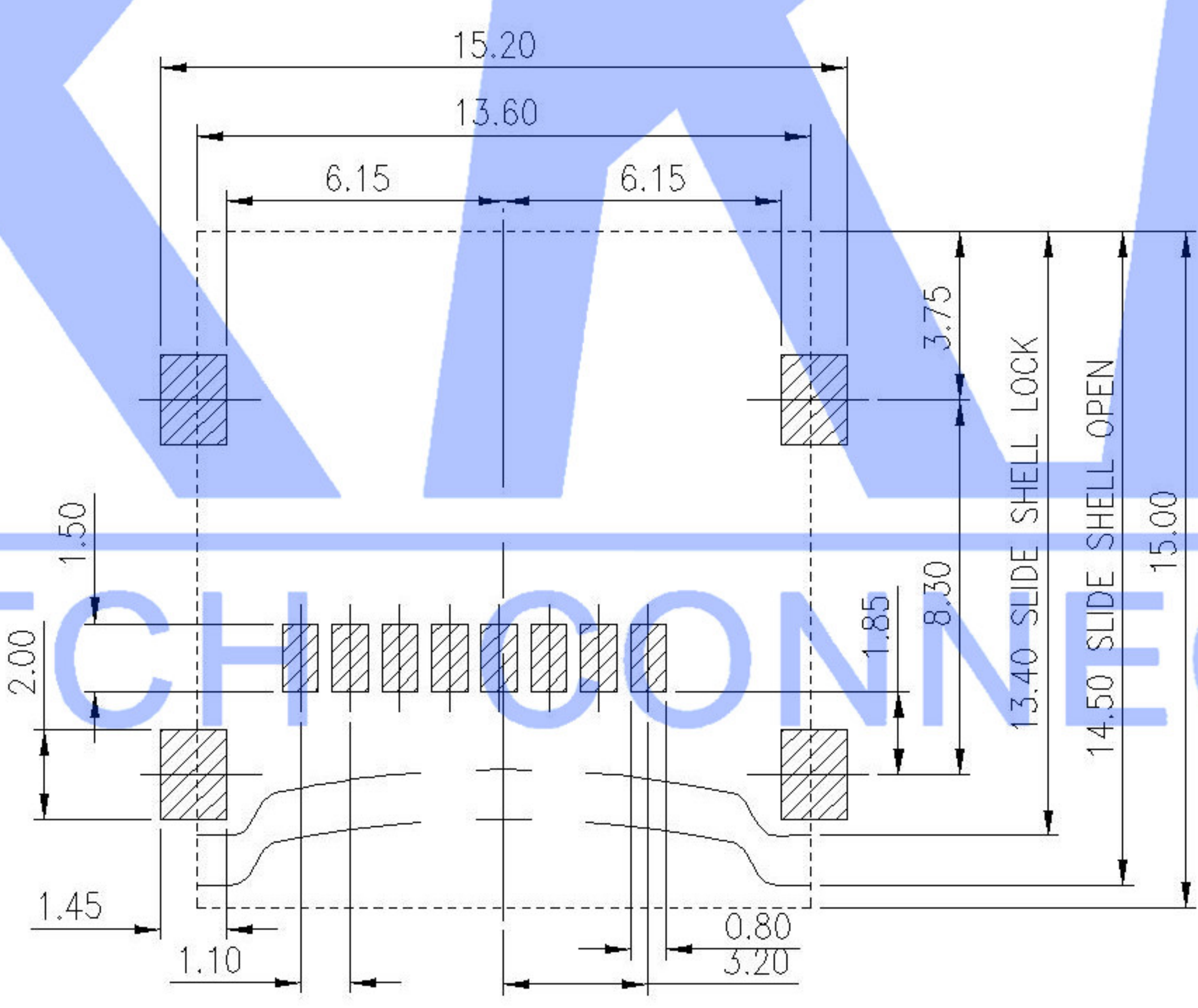
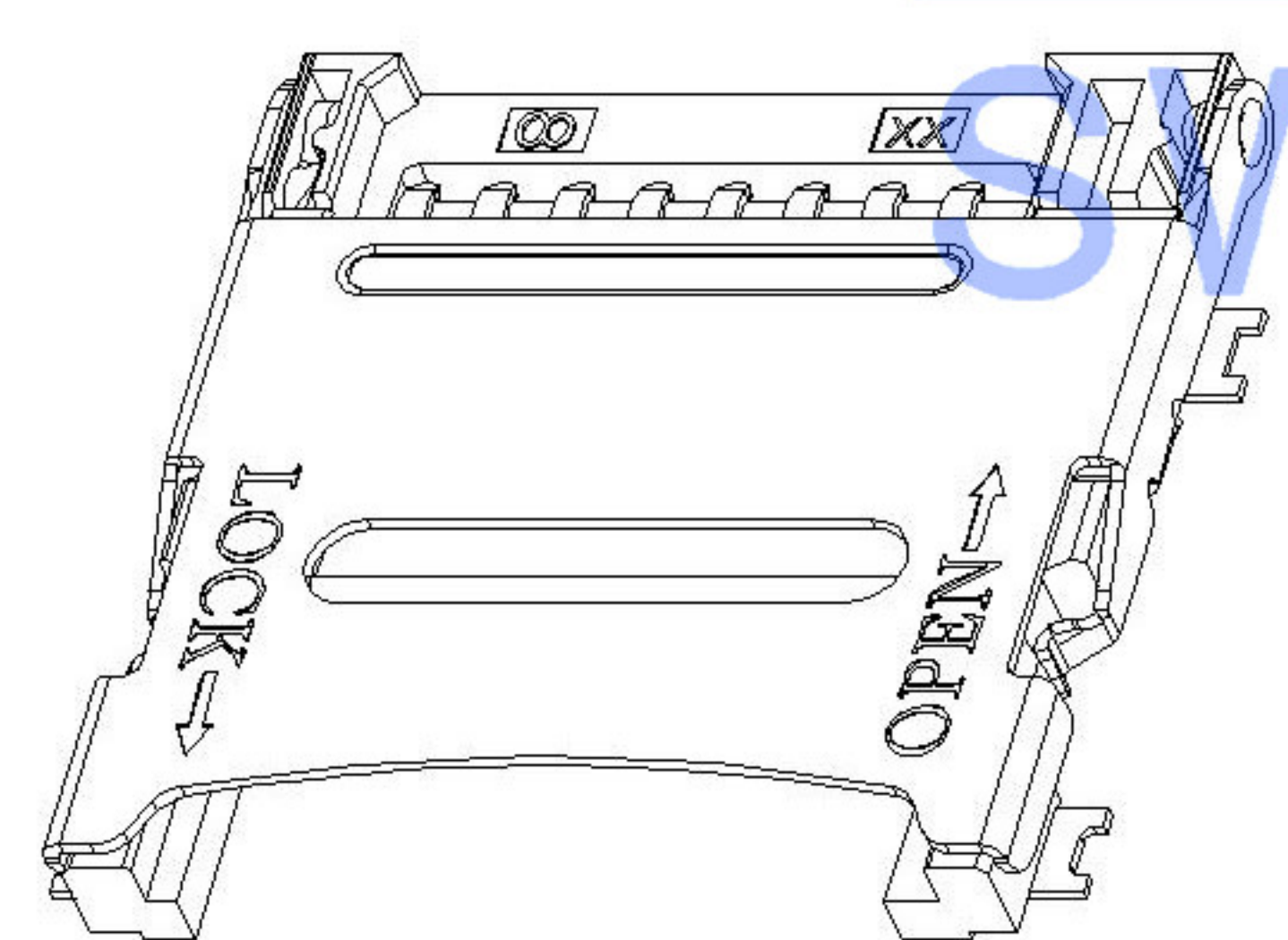
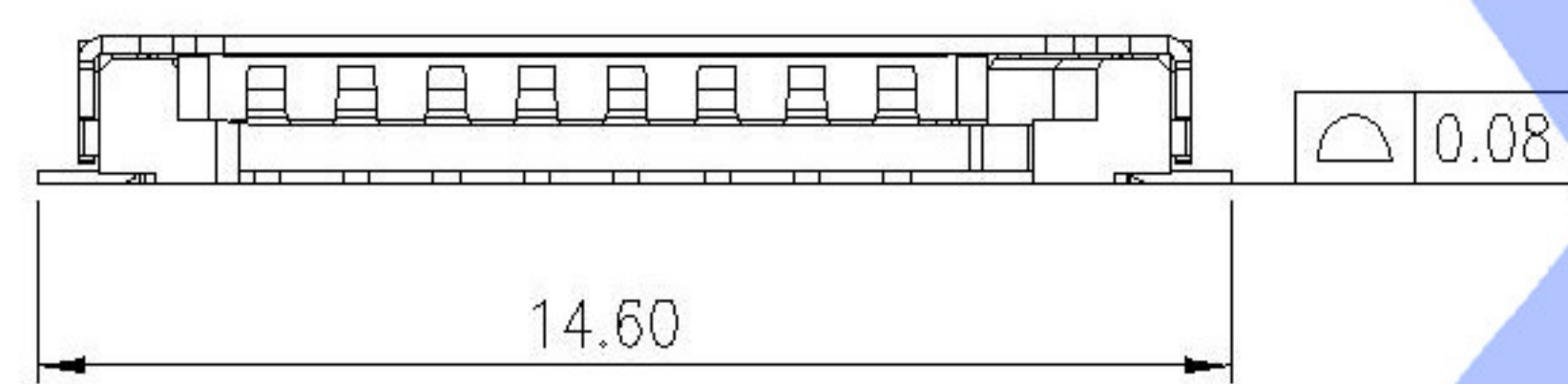


SLIDE SHELL OPEN SLIDE SHELL LOCK



RECOMMENDED PCB LAYOUT

NOTES:

1. MATERIALS

- 1). HOUSING : HI-TEMP PLASTIC UL 94V-0.
- 2). TERMINAL : COPPER ALLOY.
- 3). SHELL : STAINLESS STEEL.

2. FINISH

- 1). TERMINAL : GOLD PLATED ON CONTACT AREA, G/F GOLD PLATED ON SOLDER TAILS.
- 2). SHELL : NICKEL UNDER PLATING, TIN PLATED OVERALL.

SEE TABLE

XKNANO-1307-16	1.6		
XKNANO-1307-18	1.8		
PART NO.	DIM H		

					ANGLAR	±5°	DSND		DATE		SCALE: N/A	MODEL TYPE:	Card Connector		
ΔX					L ≤ 4	±0.2	DWN		DATE		VIEW:	PART NO.:			
ΔX					4 < L ≤ 16	±0.3	CHKD		DATE		UNIT: mm	DWG NO.:	XKNANO-1307-X		
ΔX					16 < L ≤ 63	±0.4	APPD		DATE		SIZE: A4	WEIGHT	SHEET	REVISION	
MARK	DESCRIPTION	DATE	REVISED	APPROVED	L > 63	±0.5	UNSPECIFIED TOLERANCES				1.0g	1/1	A0		
					www.xk-dg.cn www.helloxkb.com www.helloxkb.cn				KKB INDUSTRIAL PRECISION CO., LIMITED						