

## FEATURES

- Light operating force.
- Long term low contact resistance.
- Momentary or latching operation.
- Short stroke 1.5mm to latch.
- Compact spacing on PCB of 8.5mm.

## SPECIFICATIONS

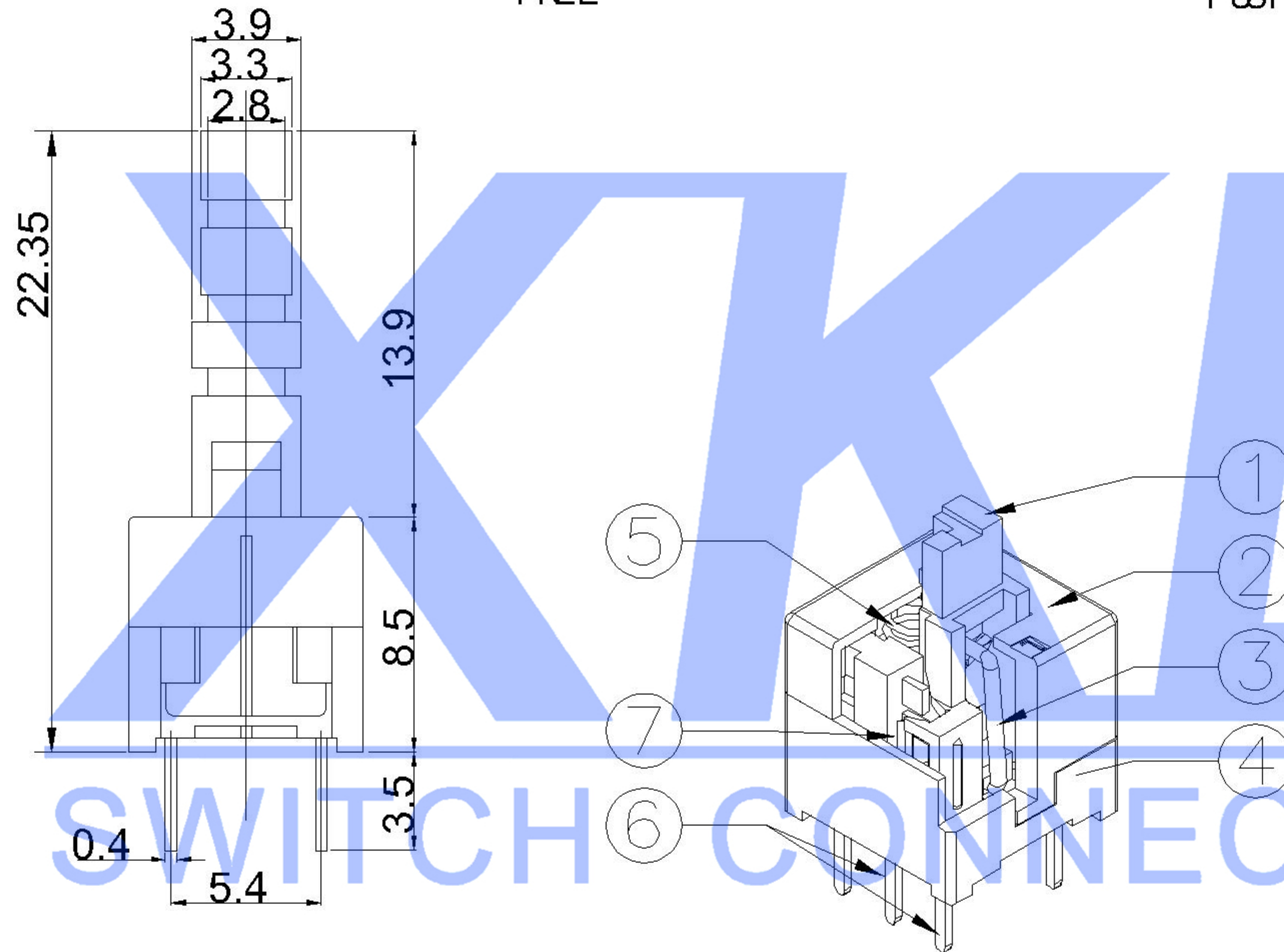
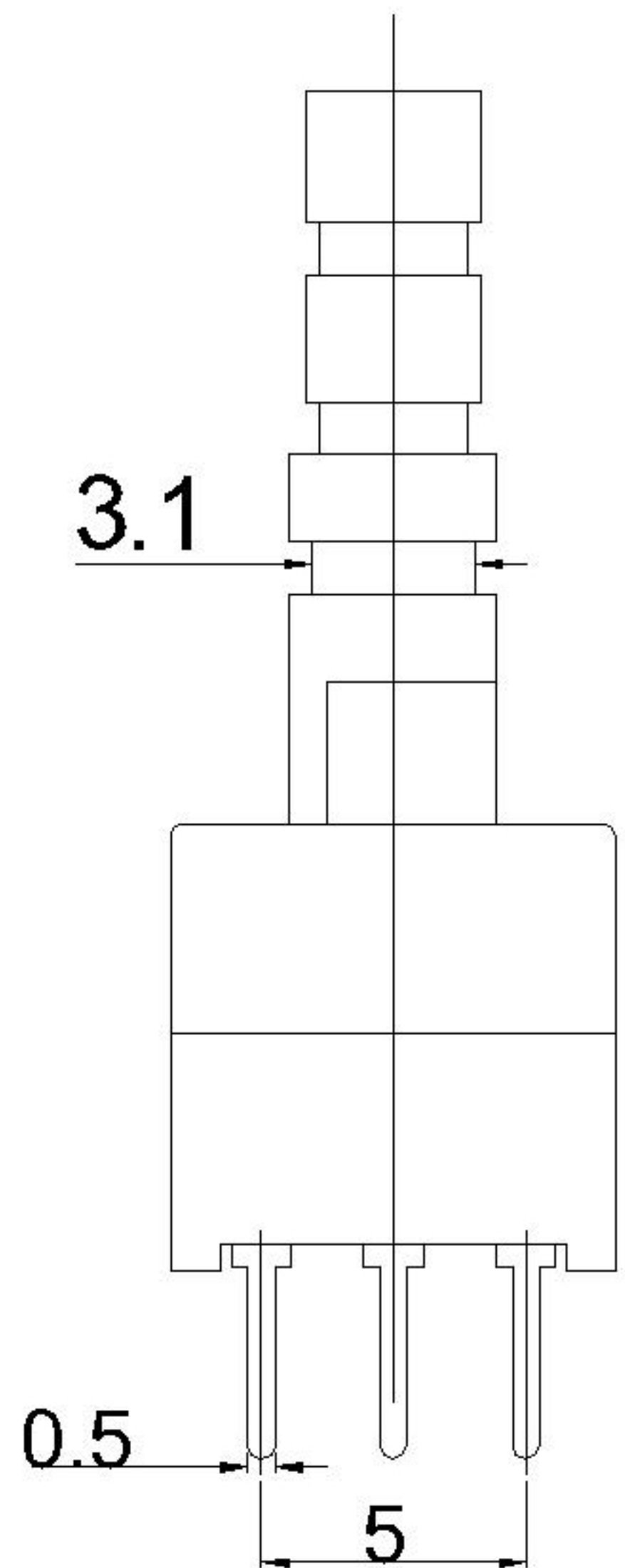
### 1.ELECTRICAL

● Contact rating	0.1A, 30VDC
● Contact resistance	50mWMax.
● Insulation resistance	100MWMIn. at 250VDC
● Dielectric strength	250VAC Min. for 60 sec.

### 2.MECHANICAL AND ENVIRONMENTAL

● Temperature rating	Operating: -15 to +55 Storage: -25 to +65
● Operation force	160±80gf
● Stroke	Lock Stroke: 1.5±0.2mm Full Stroke: 2.5±0.2mm
● Operating life	full load: 1x10 <sup>4</sup> cycles no load: 1x10 <sup>5</sup> cycles
● Contact form	DPDT

PAPT NO	XKB8585-X-220
OPERATION	W:NO LOCK Z:LOCK



ITEM	PAPT NAMF	TER,NO	QTY	MATERIAL	FINISHING	REMARK
⑦	Contact		2	Phosphor bronze	ag Plated	
⑥	Terminal		6	Brass strip	ag Plated	
⑤	spring		1	SUS	Natural	
④	Base		1	POM		
③	Crochet Needle		1	SUS	Natural	
②	Cover		1	POM		
①	Keystake		1	POM		

MARK	DESCRIPTION	DATE	REVISED	APPROVED	UNSPECIFIED TOLERANCES
ΔX					ANGLAR ±5°
ΔX					L ≤ 4 ±0.2
ΔX					4 < L ≤ 16 ±0.3
					16 < L ≤ 63 ±0.4
					L > 63 ±0.5

DSND		DATE	SCALE: N/A	MODEL TYPE:
DWN		DATE	VIEW:	PUSH SWITCH
CHKD		DATE	UNIT: mm	PART NO.: XKB8585
APPD		DATE	SIZE: A4	DWG NO.: XKB8585-X-220
XKB INDUSTRIAL PRECISION CO., LIMITED				WEIGHT
				1.0g
				SHEET
				1/1
				REVISION
				A0