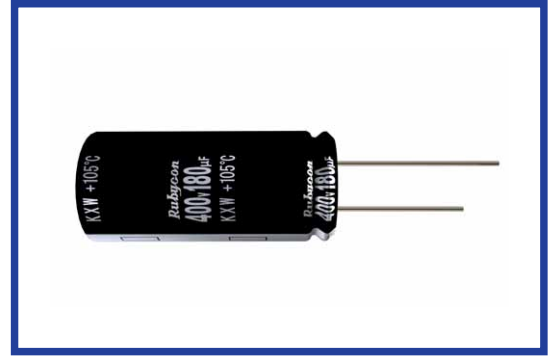


KXW SERIES
105°C 2000 hours, Miniaturized

 RoHS
compliance

◆ SPECIFICATIONS

Items	Characteristics										
Category Temperature Range	-25~+105°C										
Rated Voltage Range	200~450Vdc										
Capacitance Tolerance	±20% (20°C, 120Hz)										
Leakage Current(MAX)	$I=3\sqrt{CV}$ (After 5 minutes application of rated voltage) I =Leakage Current(μ A) C =Capacitance(μ F) V =Rated Voltage(Vdc)										
Dissipation Factor(MAX) (tan δ)	<table border="1"> <tr> <td>Rated Voltage (Vdc)</td> <td>200</td> <td>400</td> <td>420~450</td> <td>(20°C, 120Hz)</td> </tr> <tr> <td>tanδ</td> <td>0.12</td> <td>0.15</td> <td>0.20</td> <td></td> </tr> </table>	Rated Voltage (Vdc)	200	400	420~450	(20°C, 120Hz)	tan δ	0.12	0.15	0.20	
Rated Voltage (Vdc)	200	400	420~450	(20°C, 120Hz)							
tan δ	0.12	0.15	0.20								
Endurance	After applying rated voltage with rated ripple current for 2000 hours at 105°C, the capacitors shall meet the following requirements. <table border="1"> <tr> <td>Capacitance Change</td> <td>Within ±20% of the initial value.</td> </tr> <tr> <td>Dissipation Factor</td> <td>Not more than 200% of the specified value.</td> </tr> <tr> <td>Leakage Current</td> <td>Not more than the specified value.</td> </tr> </table>	Capacitance Change	Within ±20% of the initial value.	Dissipation Factor	Not more than 200% of the specified value.	Leakage Current	Not more than the specified value.				
Capacitance Change	Within ±20% of the initial value.										
Dissipation Factor	Not more than 200% of the specified value.										
Leakage Current	Not more than the specified value.										
Low Temperature Stability Impedance Ratio(MAX)	<table border="1"> <tr> <td>Rated Voltage (Vdc)</td> <td>200</td> <td>400~450</td> <td>(120Hz)</td> </tr> <tr> <td>Z(-25°C)/Z(20°C)</td> <td>3</td> <td>8</td> <td></td> </tr> </table>	Rated Voltage (Vdc)	200	400~450	(120Hz)	Z(-25°C)/Z(20°C)	3	8			
Rated Voltage (Vdc)	200	400~450	(120Hz)								
Z(-25°C)/Z(20°C)	3	8									

◆ MULTIPLIER FOR RIPPLE CURRENT

Frequency (Hz)		60(50)	120	500	1k	10k \leq
Coefficient	200Vdc	0.80	1.00	1.20	1.30	1.40
	400~450Vdc	0.80	1.00	1.25	1.40	1.50

◆ OPTION

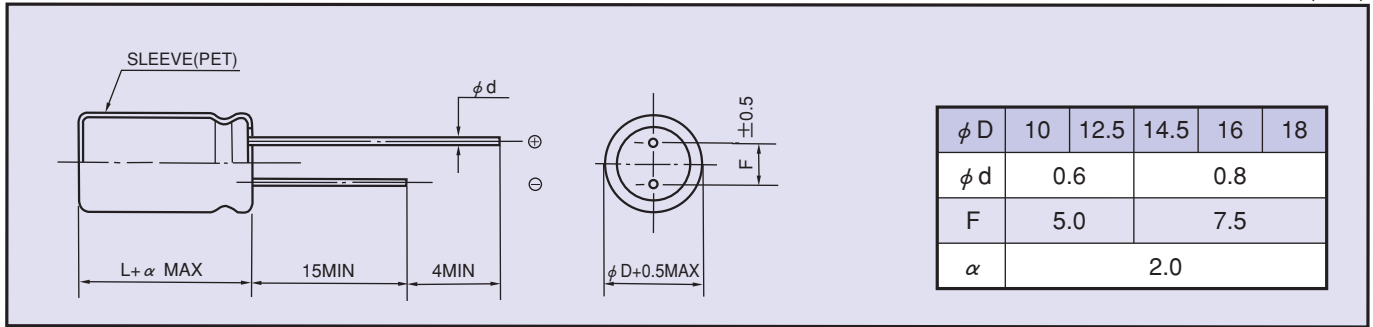
PET Sleeve	Code
	EFC

◆ PART NUMBER

□□□	KXW	□□□□□	M	□□□	□□	D×L
Rated Voltage	Series	Capacitance	Capacitance Tolerance	Option	Lead Forming	Case Size

◆ **DIMENSIONS**

(mm)



◆ **STANDARD SIZE**

Rated Voltage (Vdc)	Capacitance (μF)	Size $\phi D \times L$ (mm)	Rated Ripple Current (A r.m.s./105°C,120Hz)
200	82	10×30	0.40
	100	10×35	0.46
	120	10×40	0.53
	150	12.5×30	0.62
	180	12.5×35	0.70
	220	12.5×40	0.80
	220	14.5×30	0.80
	270	14.5×35	0.87
	270	16×30	0.87
	330	16×35	1.01
	330	18×30	1.01
	390	16×40	1.13
	390	18×35	1.13
	470	18×40	1.27
560	18×45	1.39	
400	27	10×30	0.24
	33	10×35	0.28
	39	10×40	0.32
	47	12.5×30	0.37
	56	12.5×35	0.42
	68	12.5×40	0.48
	68	14.5×30	0.48
	82	14.5×35	0.52
	100	14.5×40	0.58
	100	16×30	0.58
	120	16×35	0.67
	120	18×30	0.67
	150	16×40	0.77
	150	18×35	0.77
180	18×40	0.88	
220	18×45	1.00	

Rated Voltage (Vdc)	Capacitance (μF)	Size $\phi D \times L$ (mm)	Rated Ripple Current (A r.m.s./105°C,120Hz)
420	22	10×30	0.20
	27	10×35	0.23
	33	10×40	0.27
	39	12.5×30	0.31
	47	12.5×35	0.36
	56	12.5×40	0.43
	56	14.5×30	0.43
	68	14.5×35	0.51
	68	16×30	0.51
	82	14.5×40	0.57
	82	16×35	0.57
	100	16×40	0.61
	100	18×30	0.61
	120	18×35	0.66
150	18×40	0.71	
450	18	10×30	0.18
	22	10×35	0.21
	27	10×40	0.25
	33	12.5×30	0.28
	39	12.5×35	0.32
	47	12.5×40	0.38
	47	14.5×30	0.38
	56	14.5×35	0.44
	56	16×30	0.44
	68	14.5×40	0.49
	68	16×35	0.49
	82	16×40	0.55
	82	18×30	0.55
	100	18×35	0.65
120	18×40	0.74	
150	18×45	0.80	