

1 2 3 4 5 6 7 8

A

B

C

D

E

F

A

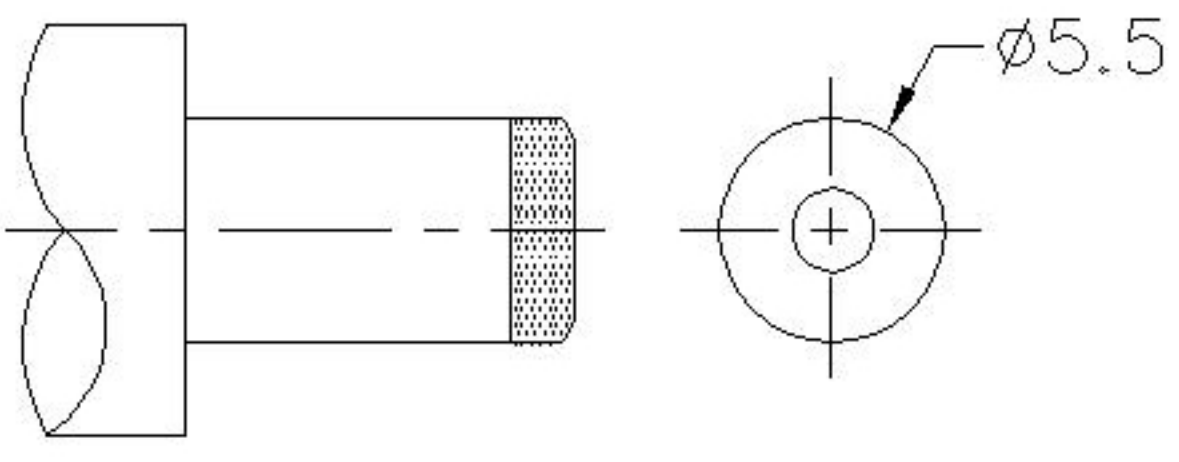
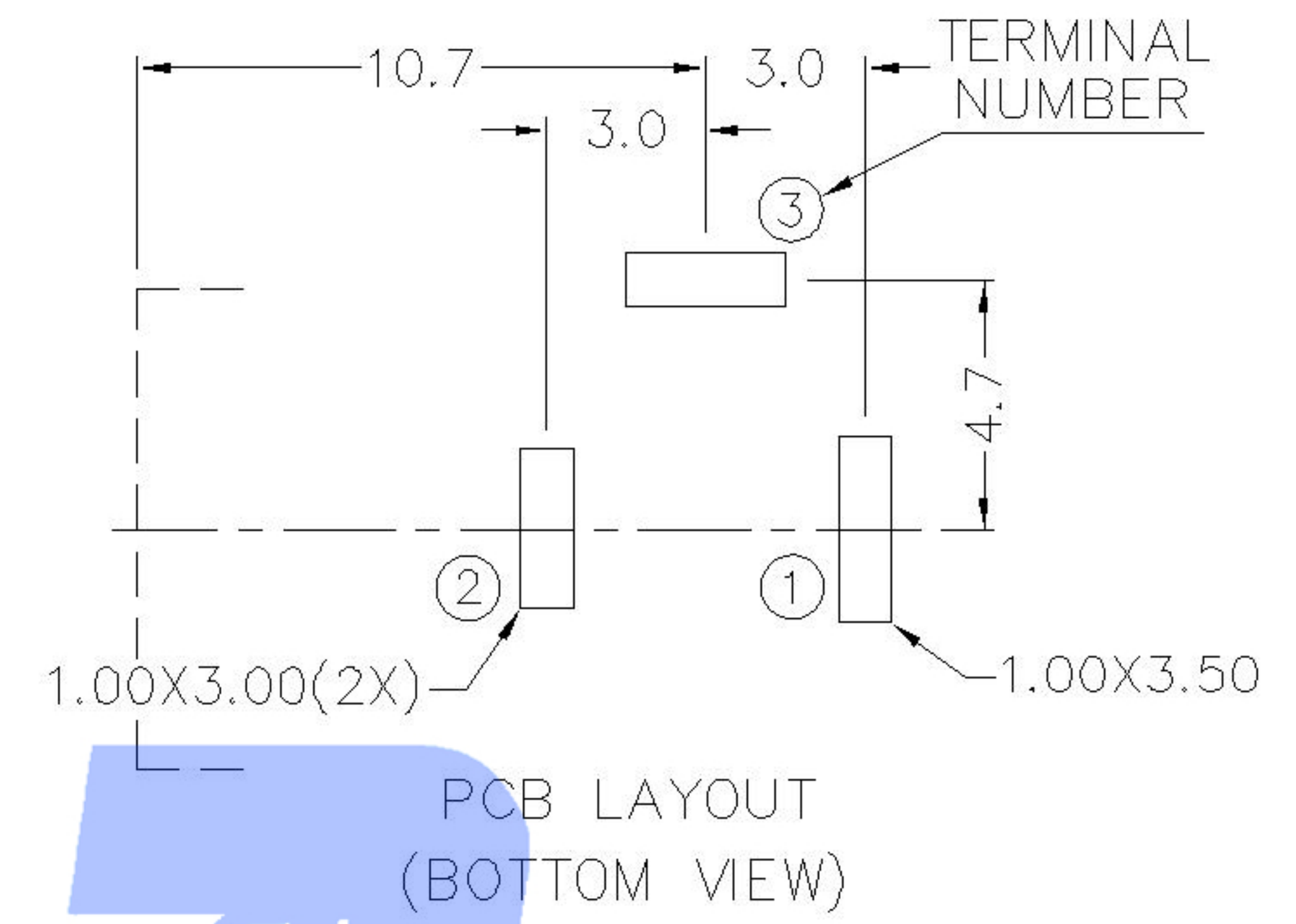
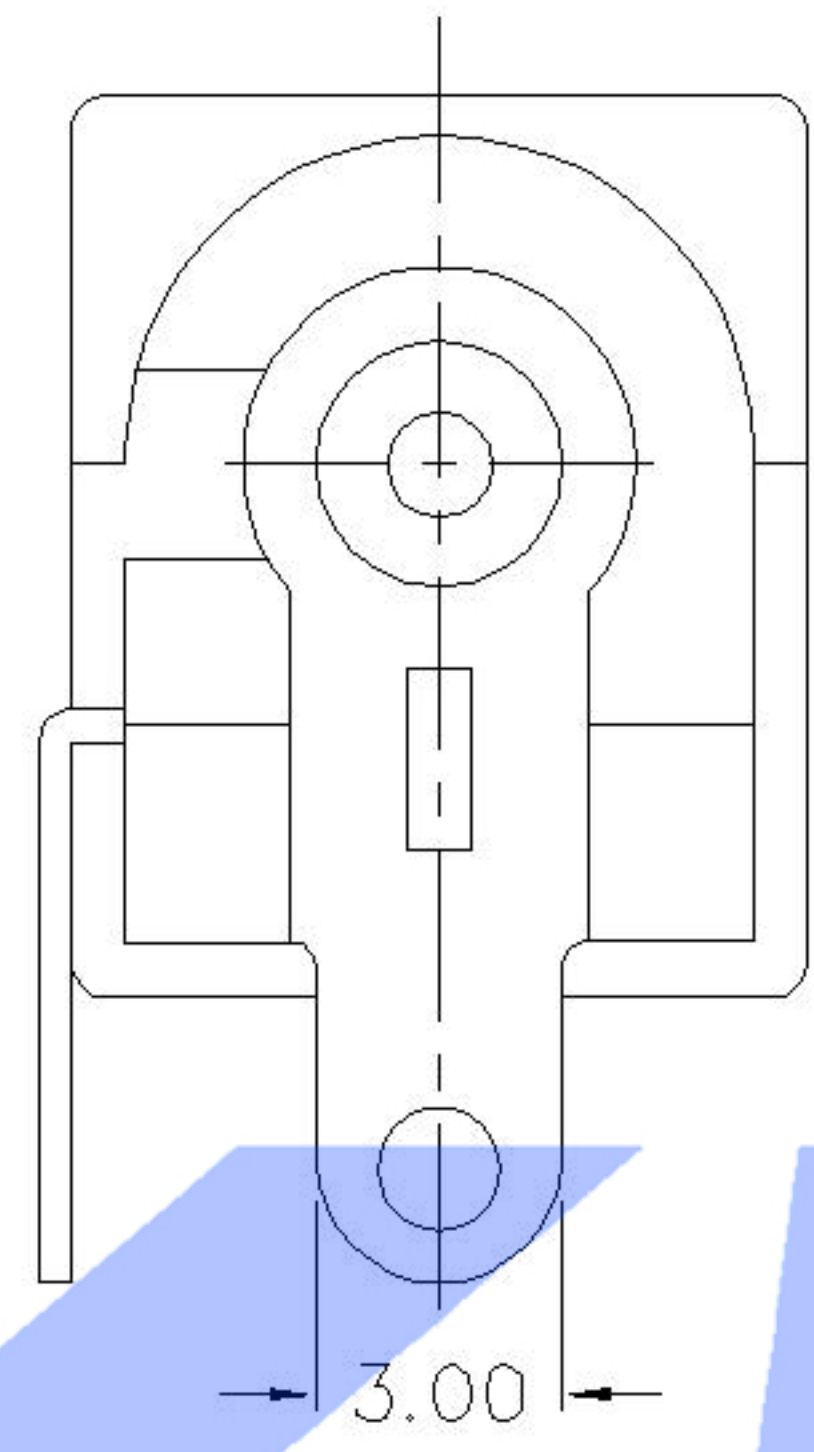
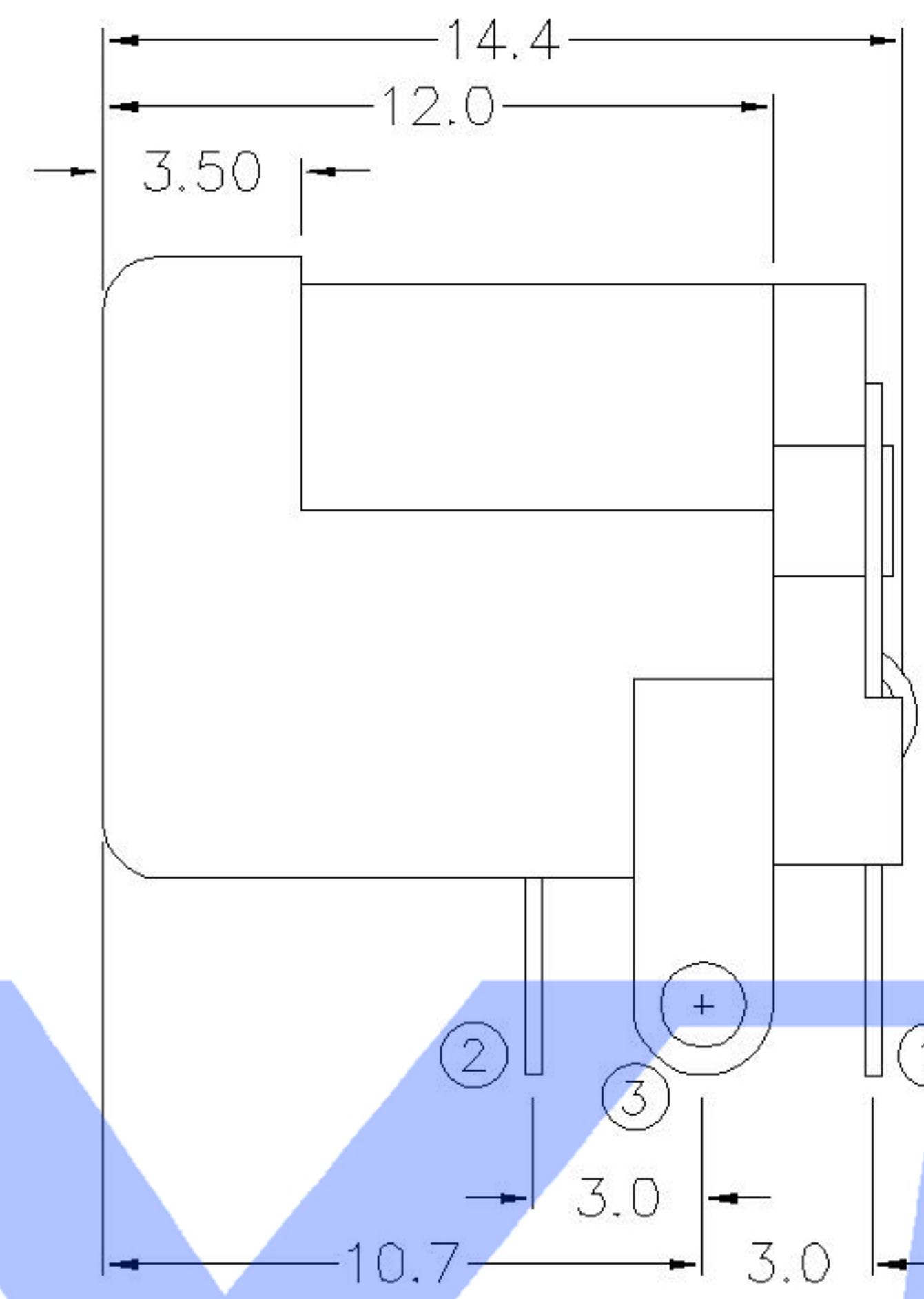
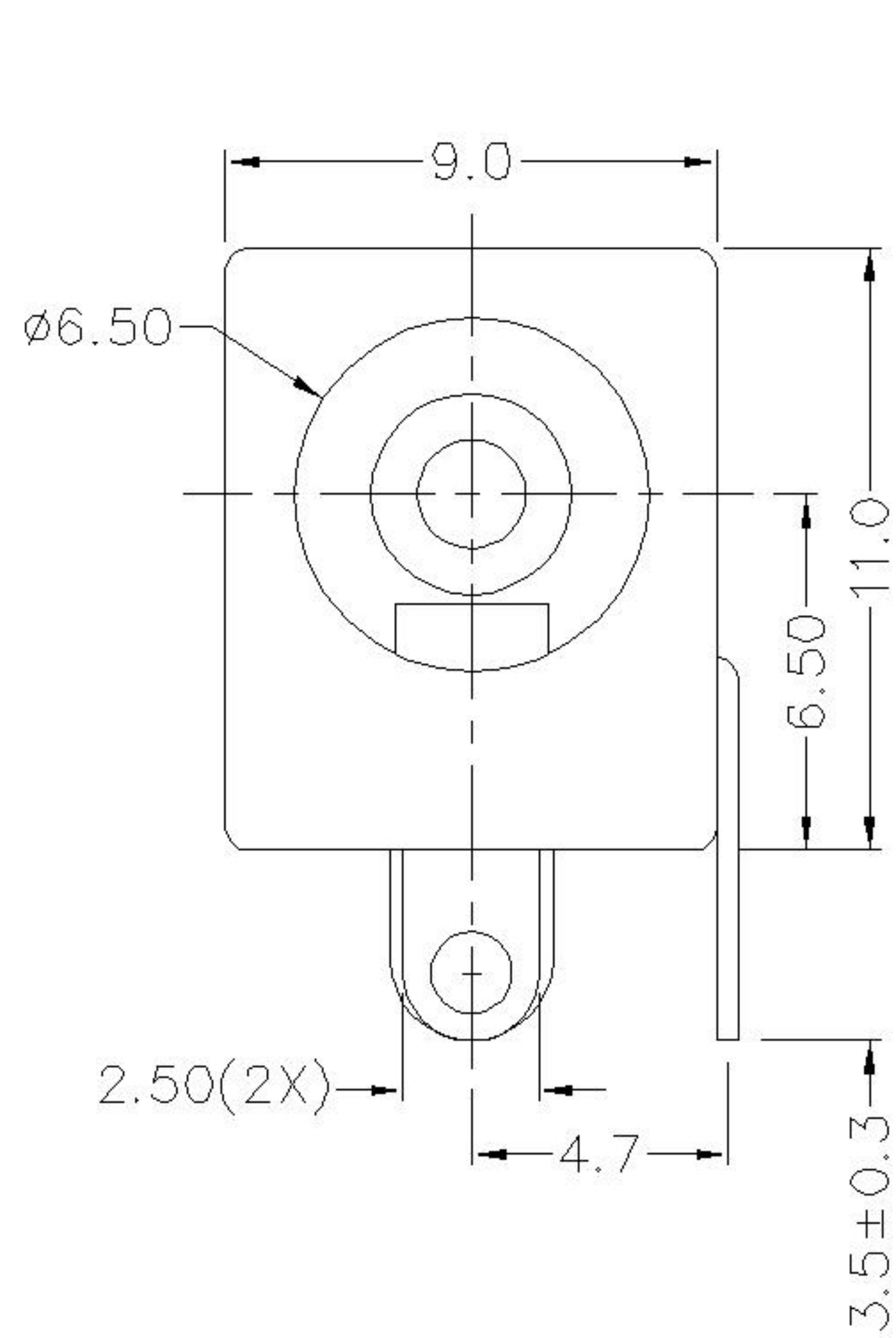
B

C

D

E

F

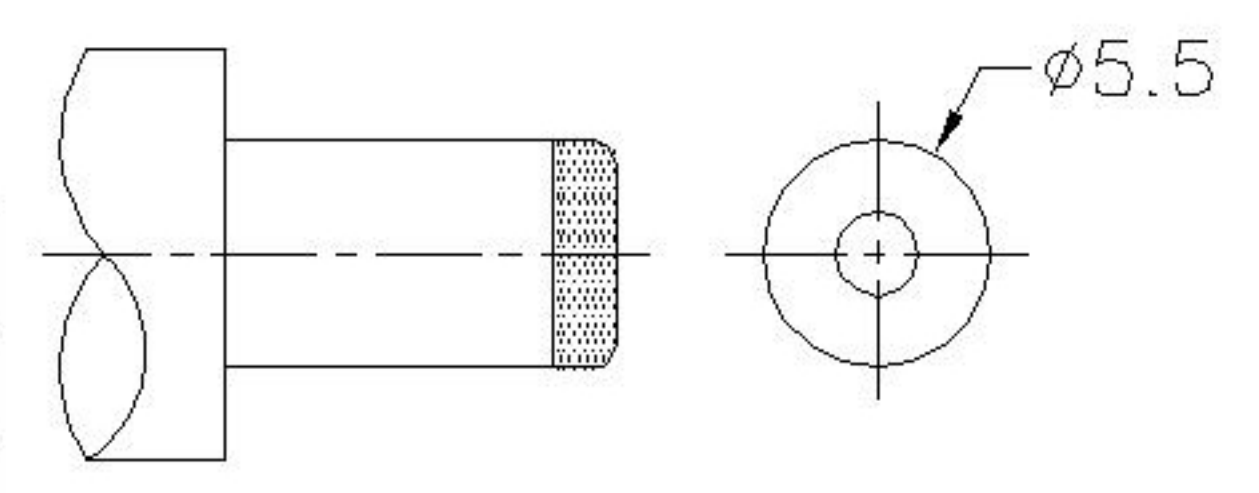


DC MATE PLUG

- SPECIFICATIONS:**
- 1. ELECTRICAL CHARACTERISTICS:
 - 1-1. RATING:
 - 1-2. CONTACT RESISTANCE: 30mΩ MAX.(INITIAL)
 - 1-3. DIELECTRIC WITHSTANDING VOLTAGE: 500V AC FOR ONE MINUTE
 - 1-4. INSULATION RESISTANCE: 100MΩ MIN. MEASURED BY 500V DC
 - 2. MECHANICAL CHARACTERISTICS:
 - 2-1. INSERTION FORCE : 0.3~3.0 KGF
 - 2-2. WITHDRAWAL FORCE : 0.3~3.0 KGF
 - 3. LIFE TEST: 5,000 CYCLES MIN.
 - 4. FOR REFLOW SOLDERING LEAD-FREE PROCESS.
 - 5. * REPRESENT CRITICAL DIMENSIONS.

SWITCH CONNECTOR

SCHEMATIC	
Model	DC-005
Center Pin	1.65
	2.0
	2.5



MATING PLUG
Jack Insertion Depth: 9.0 mm

	MATERIAL	PLATING
center pin	copper	nickel
terminal 1	brass	tin
terminal 2	copper alloy	tin
terminal 3	brass	tin
plastic	PBT	

MARK	DESCRIPTION	DATE	REVISED	APPROVED	UNSPECIFIED TOLERANCES
△ X					ANGULAR ±5°
△ X					L ≤ 4 ±0.2
△ X					4 < L ≤ 16 ±0.3
					16 < L ≤ 63 ±0.4
					L > 63 ±0.5
REVISIONS					

DSND	DATE	SCALE: N/A	MODEL TYPE:
DWN	DATE	VIEW:	DC POWER JACK
CHKD	DATE	UNIT: mm	PART NO.:
APPD	DATE	SIZE: A4	DWG NO.:
KKB INDUSTRIAL PRECISION CO., LIMITED			DC-005-5A-2.0
WEIGHT	SHEET	REVISION	
1.0g	1/1	A0	

1 2 3 4 5 6 7 8