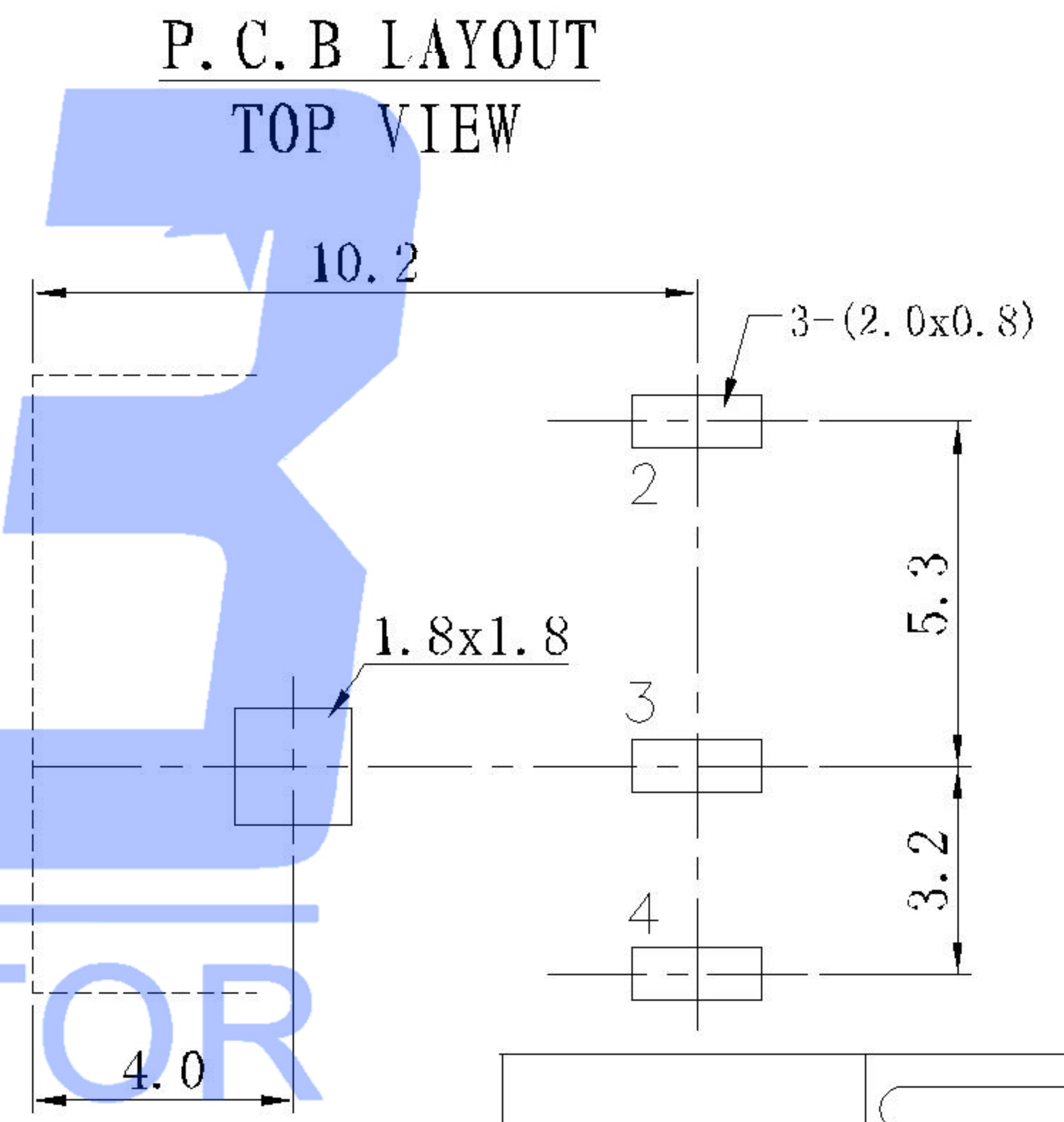
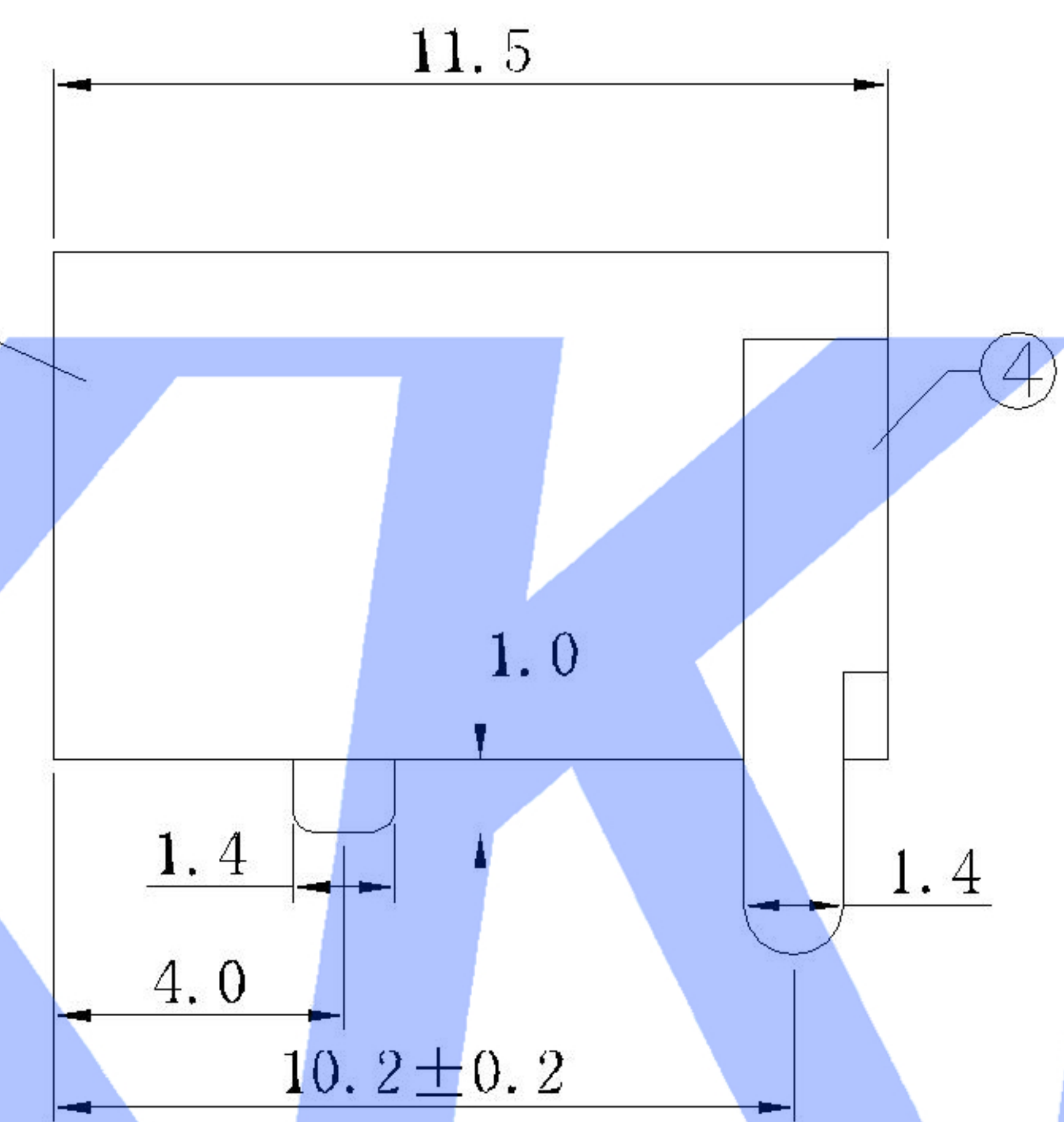
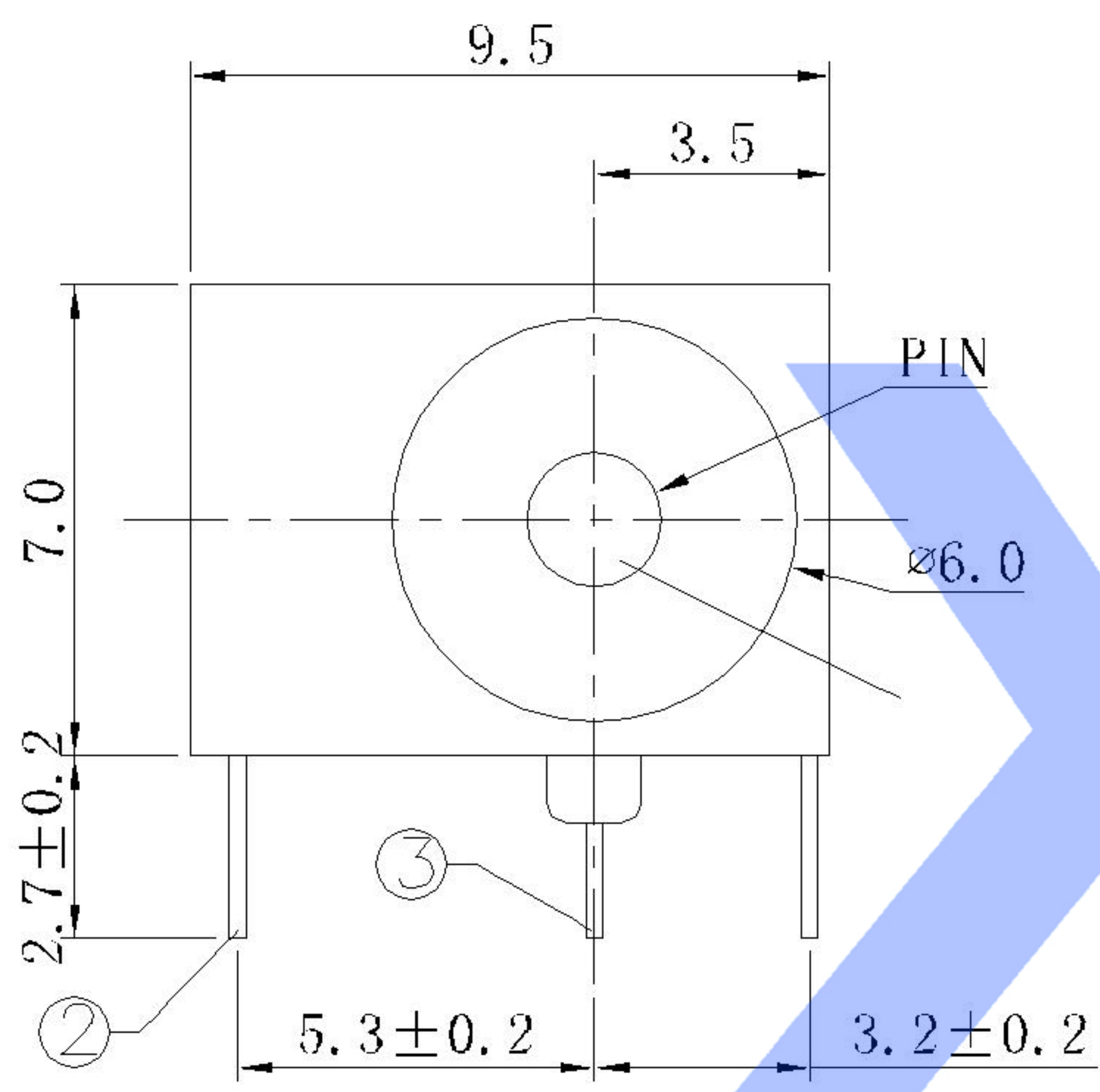
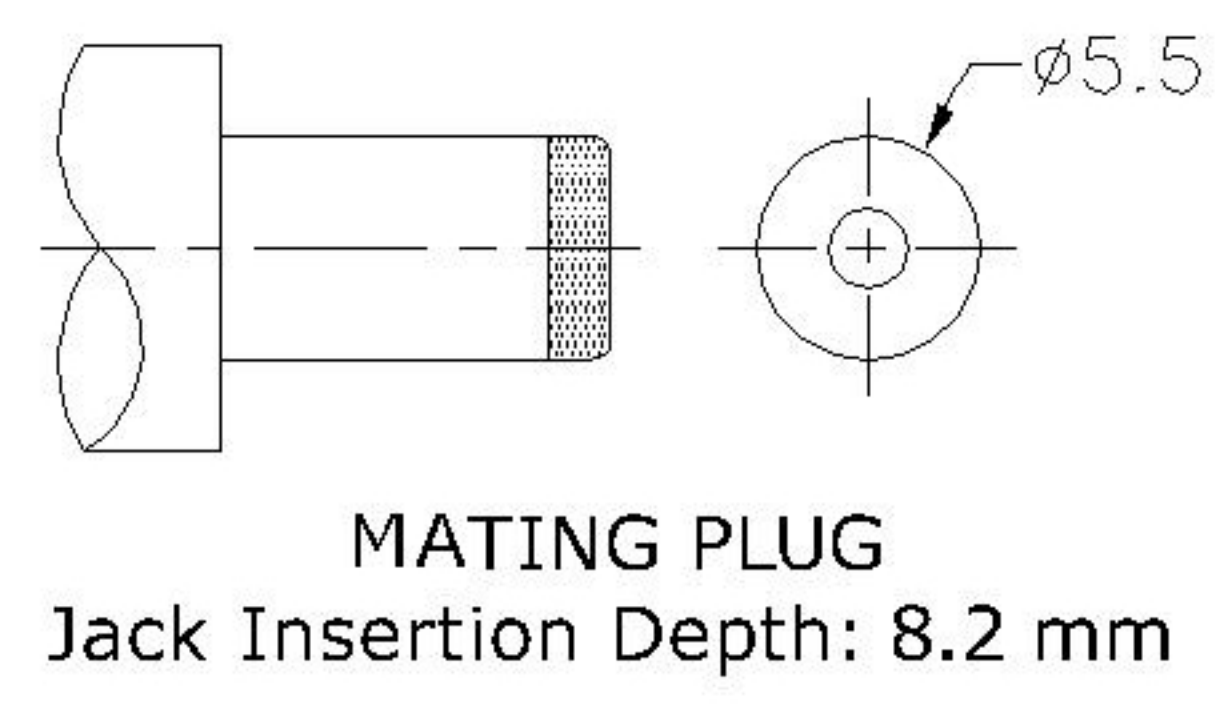


1 2 3 4 5 6 7 8

A B C D E F



XKB SWITCH CONNECTOR



	MATERIAL	PLATING
center pin	copper	nickel
terminal 1	brass	tin
terminal 2	copper alloy	tin
terminal 3	brass	tin
shield	brass	nickel
plastic	PBT	

SCHEMATIC	
Model	DC-0440-2.5A
Center Pin	Ø1.65 mm
	Ø2.0 mm
	Ø2.5 mm

MARK	DESCRIPTION	DATE	REVISED	APPROVED	UNSPECIFIED TOLERANCES
△ X					ANGULAR ±5°
△ X					L ≤ 4 ±0.2
△ X					4 < L ≤ 16 ±0.3
					16 < L ≤ 63 ±0.4
					L > 63 ±0.5

DSND		DATE		SCALE: N/A	MODEL TYPE: DC POWER JACK
DWN		DATE		VIEW:	PART NO.:
CHKD		DATE		UNIT: mm	DWG NO.:
APPD		DATE		SIZE: A4	DC-0440-2.5A-2.0
XKB INDUSTRIAL PRECISION CO., LIMITED				WEIGHT 1.0g	SHEET 1/1
					REVISION A0

1 2 3 4 5 6 7 8

F