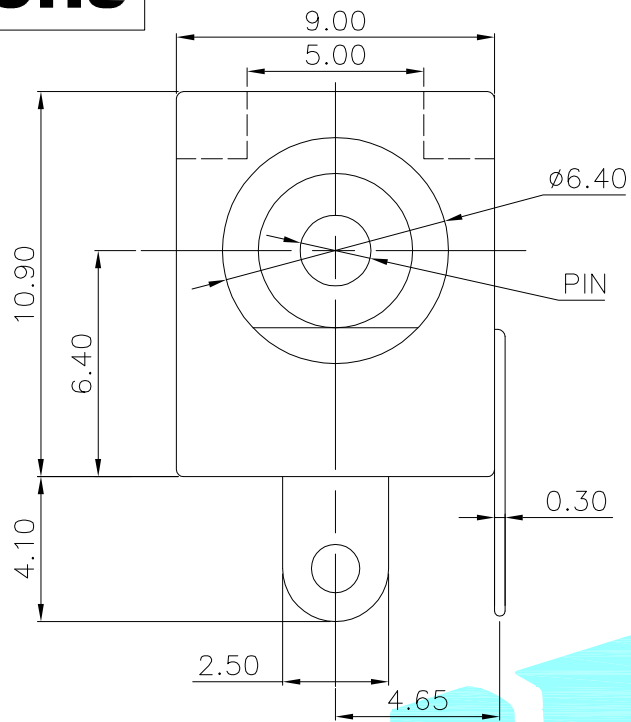
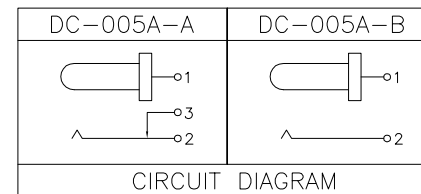
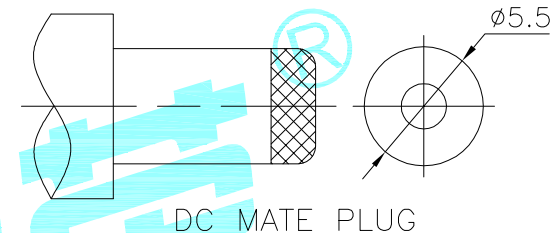
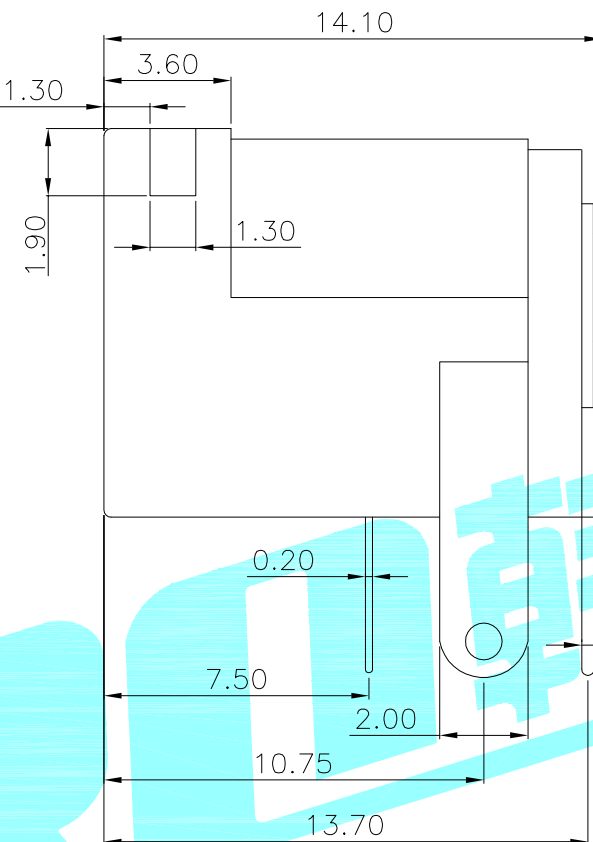
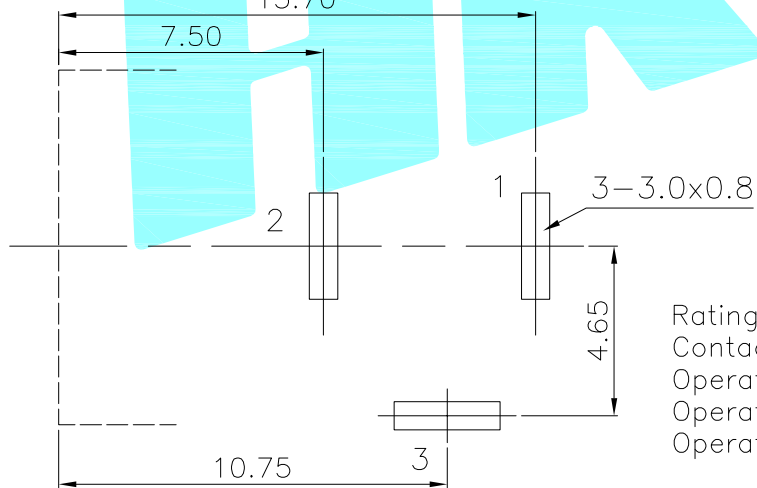


ROHS



P.C.B LAYOUT (Copper-side view)
13.70



Model No.	1	2	3
PIN	φ2.0	φ2.35	φ2.5

Rating: 0.5A 30V DC
 Contact Resistance: 100 mΩ Max.
 Operating temperature: -20°C ~ 70°C
 Operating force: 3-20N
 Operating Life: 5,000 cycles

②	Terminal	—	X	Phosphor bronze	—	—
①	Housing	—	1	Nylon	Black	—
ITEM	PART NAME	TER'NO.	QTY.	MATERIAL	FINISHING	REMARK
APPROVALS			DATE	 HROE ELECTRONICS CO., LTD PHONE JACKES DC-005A		
DRAWN	J.X.Zhang	2013/11/11				
CHECKED						
APPROVALS				PART NO.	DC-005A	
TOLERANCES ARE		30~以上 ±0.30	ANGLE	UNIT: mm	SCALE: 1:1	PROJ:
		10~30 ±0.20		DRAWING NO.		SHEET 1 OF 1
		5~10 ±0.15	±2'			
		~ 5 ±0.10				

ECN NO.	REV.	DATE.	DESCRIPTION.	CHANGE.	CHECK.	APPRO.
	A		NEW			