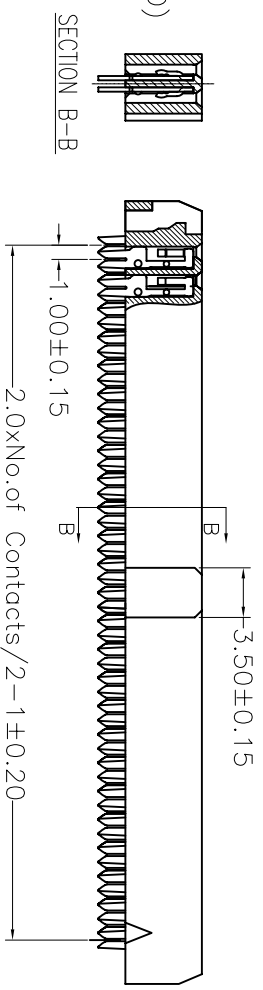
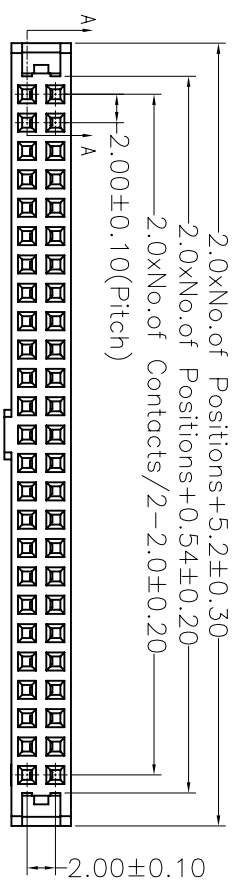


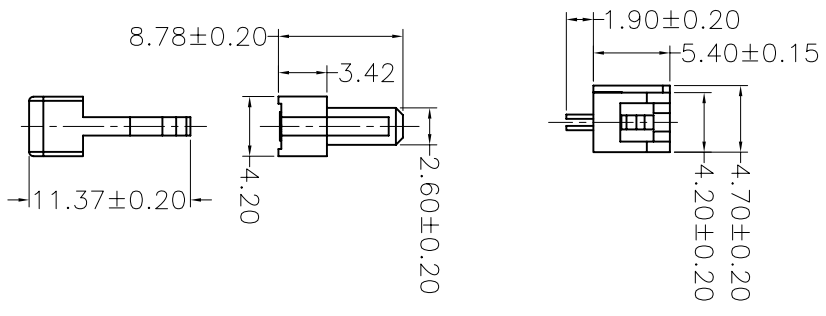
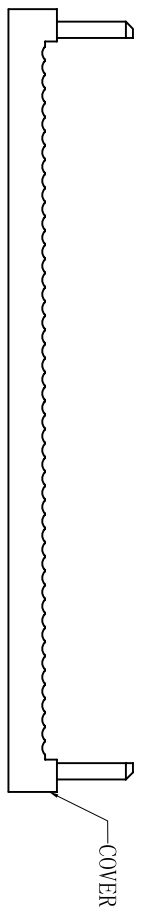
REV.	ECON. NO.	APPD.
A		

NOTES:  
 Current Rating: 1AMP  
 Contact Resistance: 20mΩ max  
 Withstand Voltage: 500V AC/DC  
 Insulation Resistance: 1000MΩ Min  
 Operation Temperature: -40°C to +105°C

Contact Material: Phosphor Bronze  
 Contact plating: Au Over Ni  
 Insulator Material: PBT+30%GF (UL94V-0)



SECTION A-A



## Ordering Information

MTFC22-XX Y X

No. of Pins	Marker
06P 26P	W=With SR
08P 30P	N=W/O SR
10P 34P	
12P 36P	
14P 40P	
16P 44P	
18P 50P	
20P 60P	
22P 64P	
24P	

X.	± 0.30	X.°	± 5°	UNITS	mm
X	± 0.20	X.°	± 2°	MAT'L	
XX	± 0.10	XX.°	± 1°	FINISH	
.XXX	± 0.05	.XXX.°	± 0.5°	QTY	

NAME (INTENDED USE)	IDC SOCKET CONNECTOR
PART NO. (INTENDED USE)	
APPD.	SUNNY
CHKD.	USA
DR.	ZOE
	2006-11-28

TITLE:	2.00 IDC SOCKET+SR
DWG NO.:	MTFC22-XXXX
MINTRON CO., LTD.	
SCALE	1/1
SHEET	1/1
REV.	A