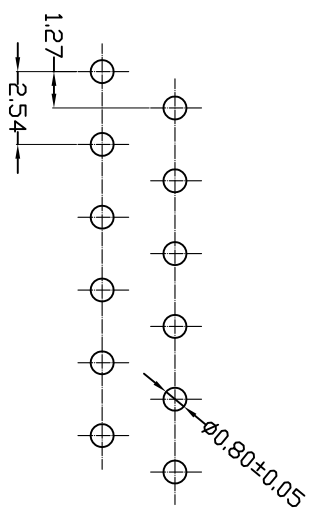
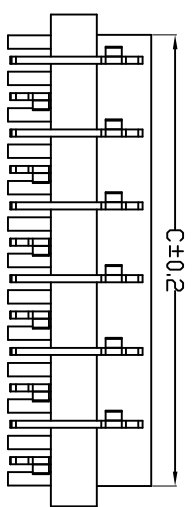
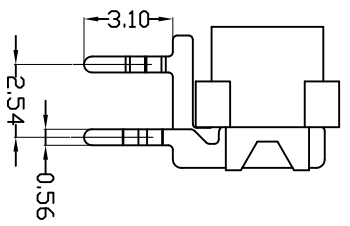
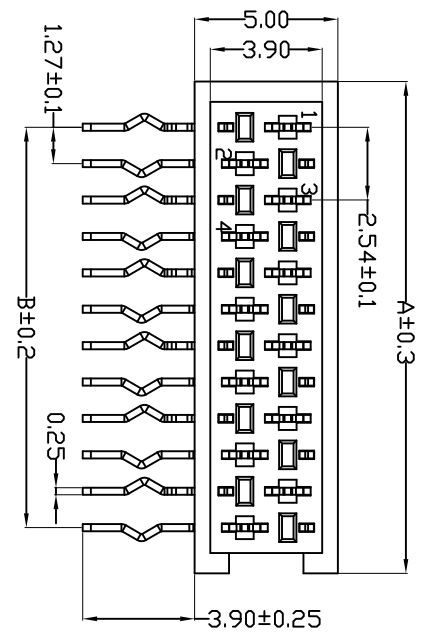
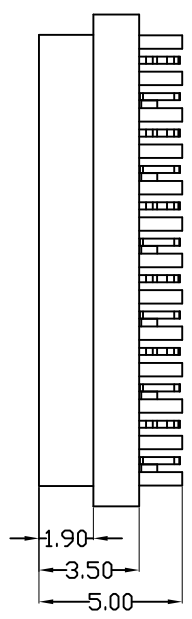


REV.	EQN. NO.	APPD.
A		



PCB LAYOUT

Material:

Insulator: Glass filled NY46 UL94V-0
 Contacts: Brass / Phosphor Bronze T=0.25
 Plating: Tin plated

Electrical Characteristics:

Contact Resistance: 20mΩmax. at DC 100mA
 Insulator Resistance: 1000MΩmin. at 500V DC
 Withstanding Voltage: 500V AC/rms 50Hz For 1 minute
 Current Rating: 1 AMP
 Operating Temperature: -40°C~+105°C

PINS	A	B	C
4	7.00	3.81	5.58
6	9.54	6.35	8.12
8	12.08	8.89	10.66
10	14.62	11.43	13.2
12	17.16	13.97	15.74
14	19.70	16.51	18.28
16	22.24	19.05	20.82
18	24.78	21.59	23.36
20	27.32	24.13	25.9
22	29.86	26.67	28.44
24	32.4	29.21	30.98
26	34.94	31.75	33.52

Ordering Information:

MTMR39-XX X X-22
 M:Male
 F:Female
 No. of Pins
 S: Straight
 R: Right
 M: SMT
 C: Cable

X	±0.20	X°	±5°	UNITS	mm
.XX	±0.10	.X°	±2°	MAT'L	
.XXX ±0.05	.XX° ±1°			FINISH	
	.XXX° ±0.5°			QTY	
MICRO SOCKET CONNECTOR					

NAME/(INTENDED USE)		TITLE:	
PART NO. (INTENDED USE)		MICRO FEMALE RIGHT ANGLE 無耳	
APPD:	SUNNY	DWG NO.:	MTMR39-XXFR-22
CHKD:	USA	SCALE	1/1
DR:	ZOE	SHEET	1/1
	2006-11-28	REV.	A

MINTRON CO., LTD.